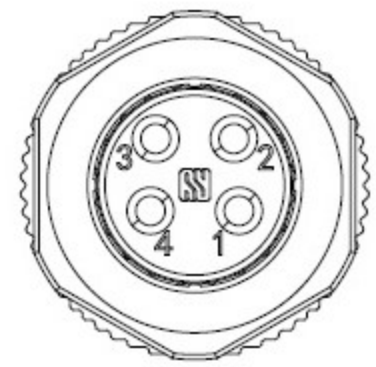
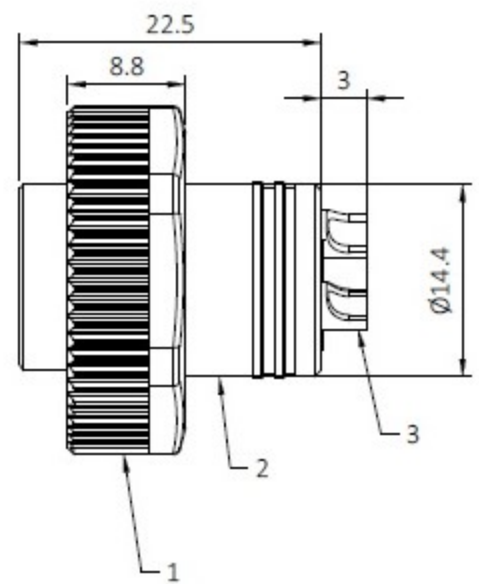
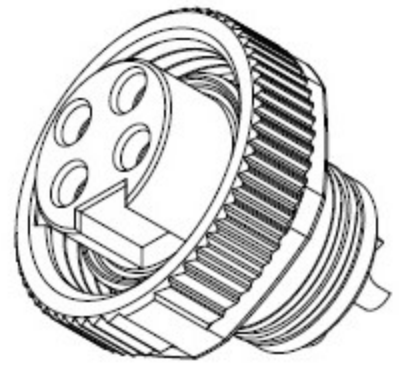


A →



| Pin Assignment VIEW A | | |
|--------------------------|-------------|-------------|
| <p>3PIN</p> | <p>4PIN</p> | <p>5PIN</p> |



Technical specifications:

1. Rated voltage/current:
 3P 300V/13A
 4P 300V/13A
 5P 300V/9A
2. Degree of protection: IP67
3. Temperature range: -40°C ~ +80°C
4. Mating cycles: /500
5. Contact resistance: *5mΩ