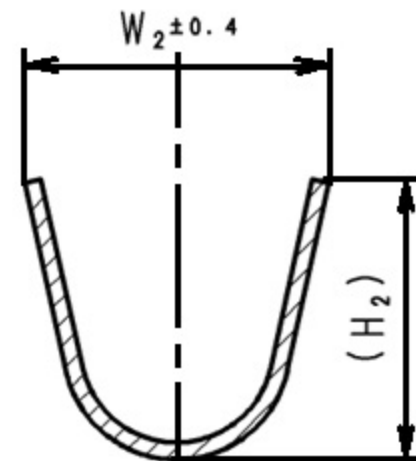
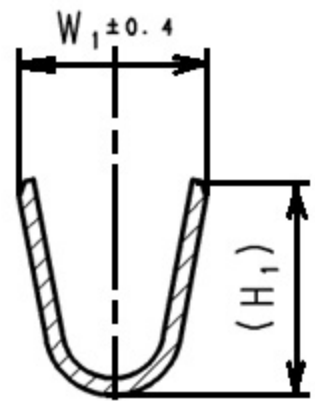
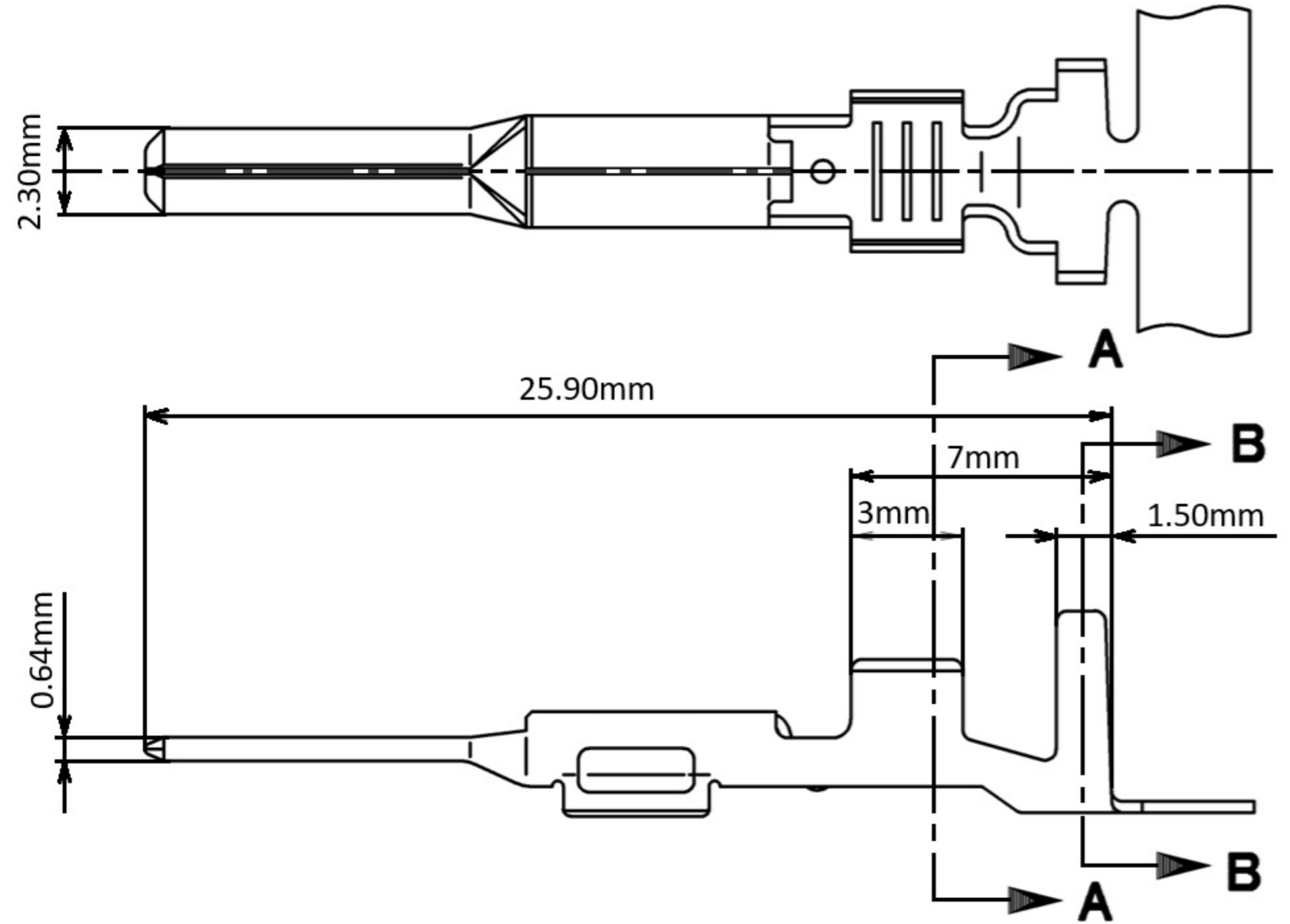
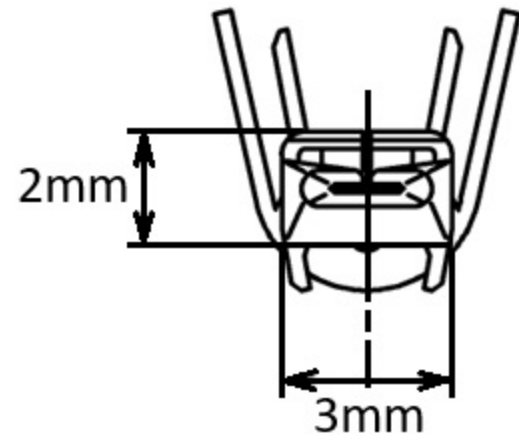


DIMENSIONS



SEC. A-A

SEC. B-B

DESCRIPTION	PART NO.	APPLICABLE WIRE SIZE	W_1	H_1	W_2	H_2
TERMINAL M SIZE	8100-0458	CAVUS 0.5~AEX 1.25 EQUIVALENT	3.30mm	3.10mm	5.30mm	4mm