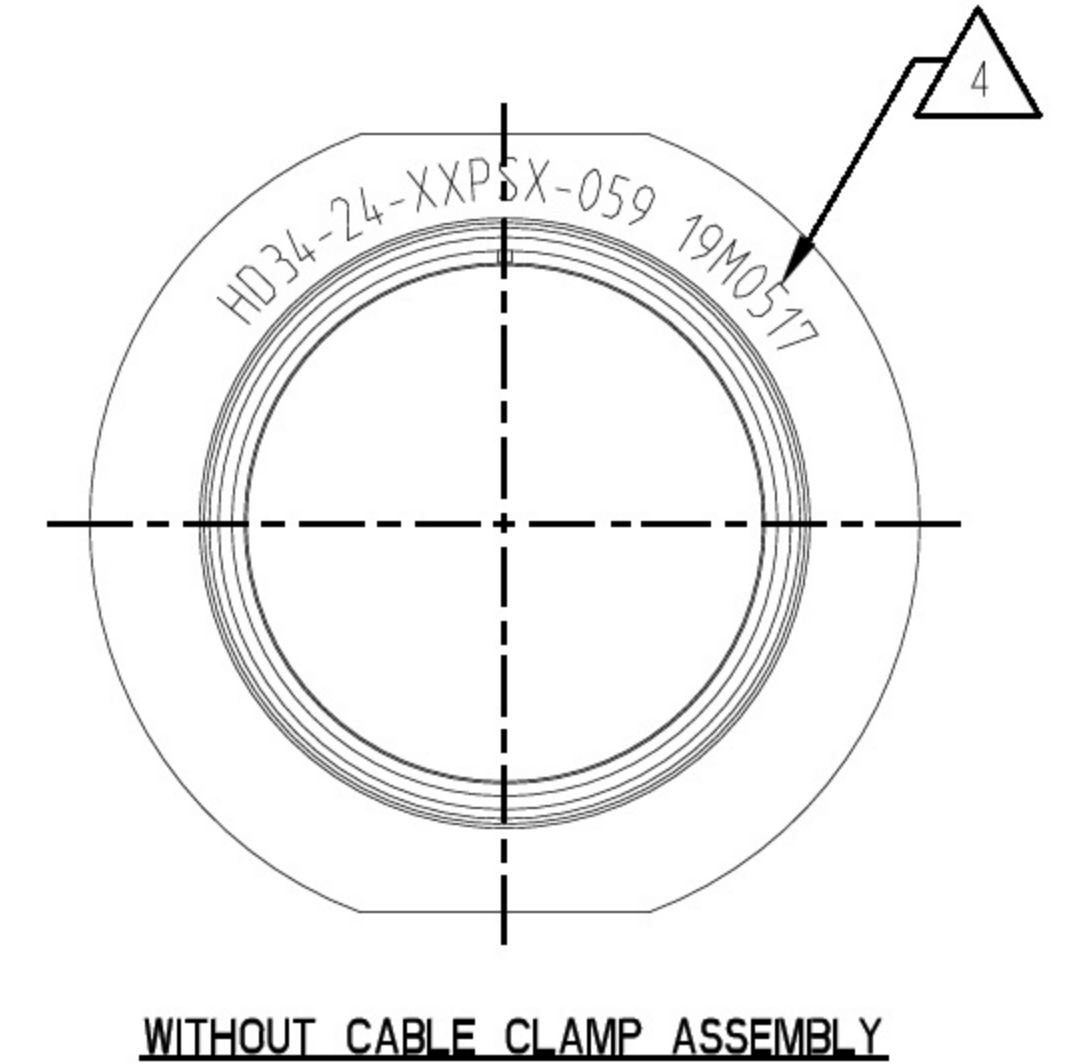
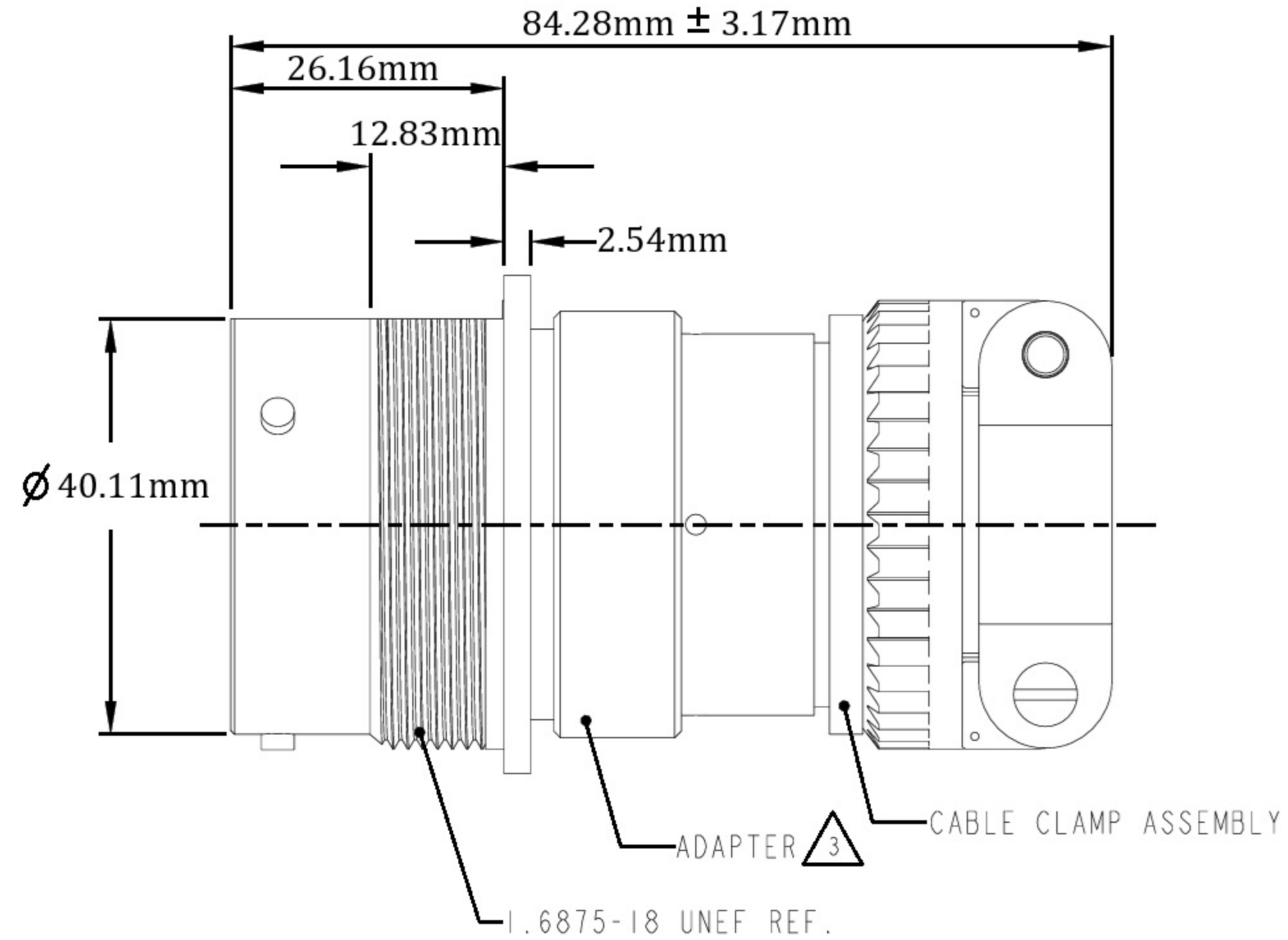
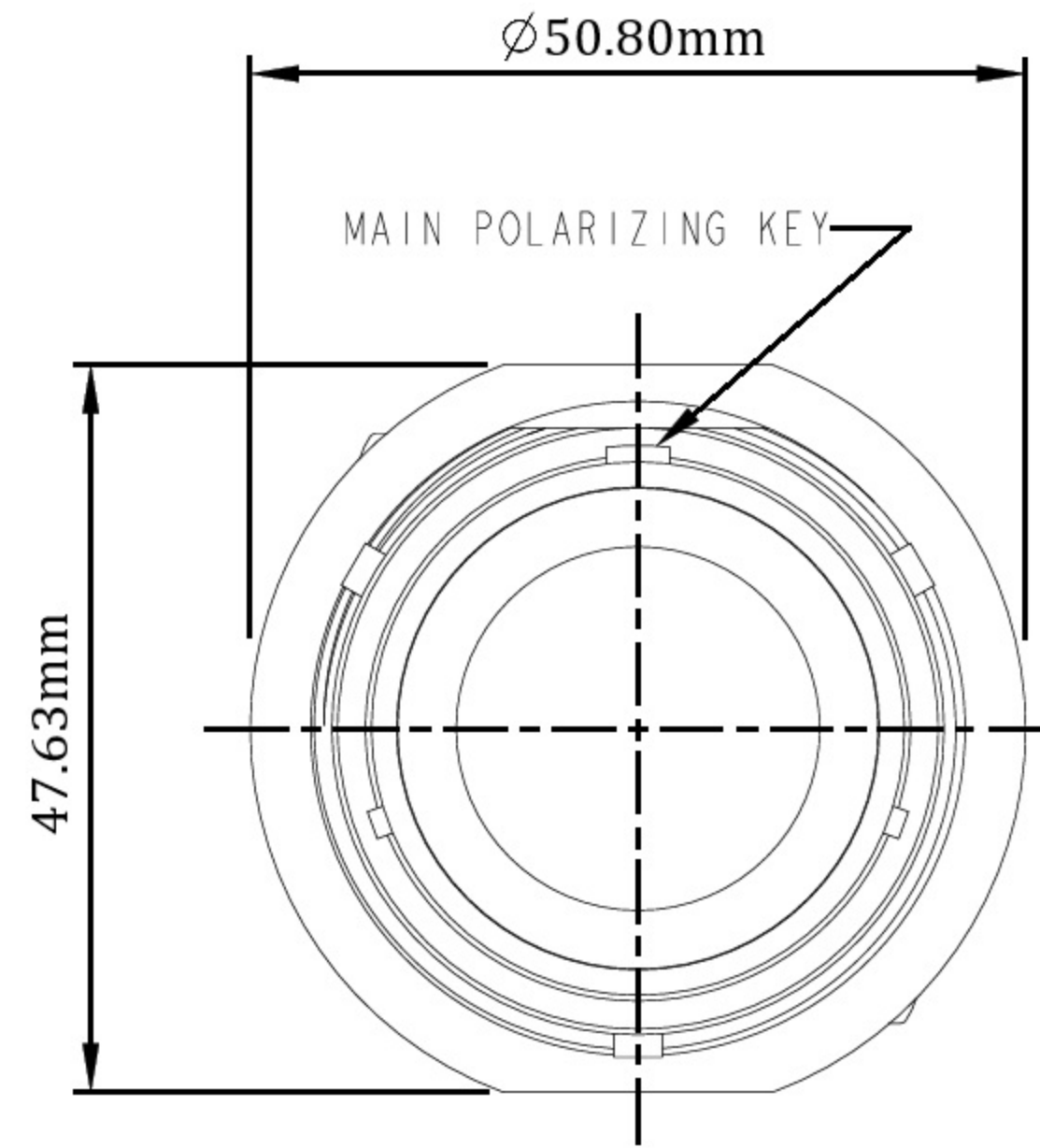
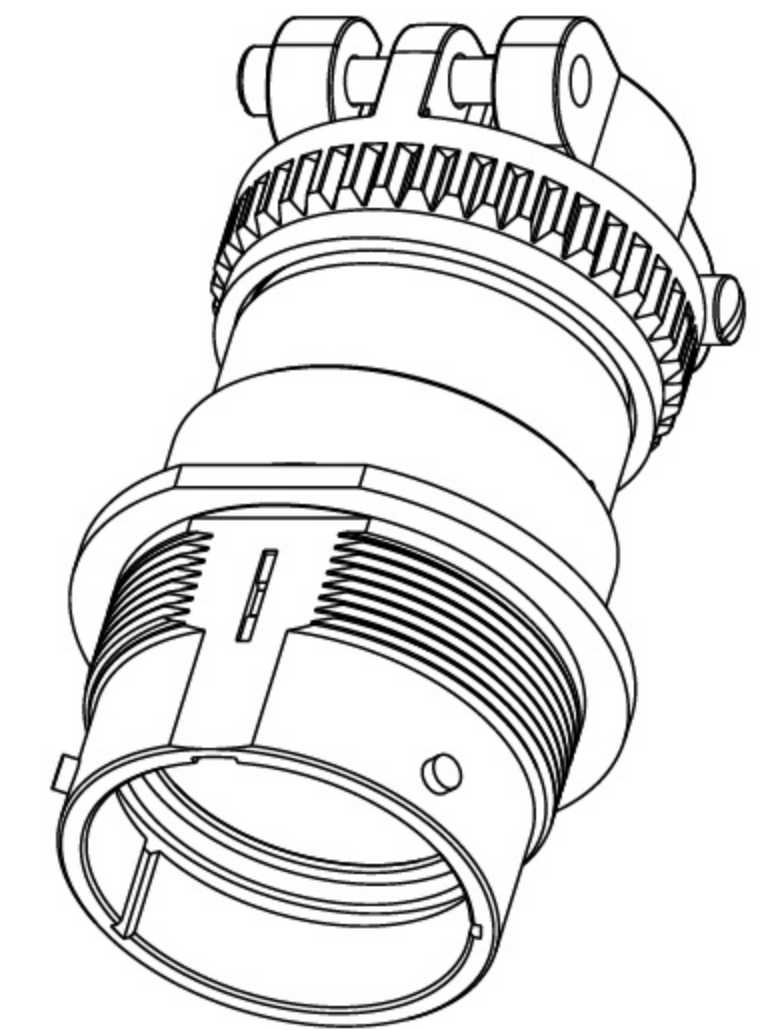


# DIMENSIONS



WITHOUT CABLE CLAMP ASSEMBLY



3D VIEW



DATE CODE: IDENTIFIES THE YEAR, MONTH, DAY AND HOUR OF ASSEMBLY.  
 YEAR: FIRST AND SECOND DIGITS. (14=2014)  
 MONTH: THIRD DIGIT, EXCLUDING I. A=JAN., B=FEB., C=MARCH... (K=OCT.)  
 DAY: FOURTH AND FIFTH DIGIT (14=14TH DAY)  
 HOUR: SIXTH AND SEVENTH DIGIT (11=11AM)



MATERIAL:  
 RECEPTACLE HOUSING: 6061-T6 ALUMINUM ALLOY,  
 ADAPTER: AL 6000 SERIES,  
 GROMMET: SILICONE VMQ (RED),  
 RETAINER RING: PA66 GF10.