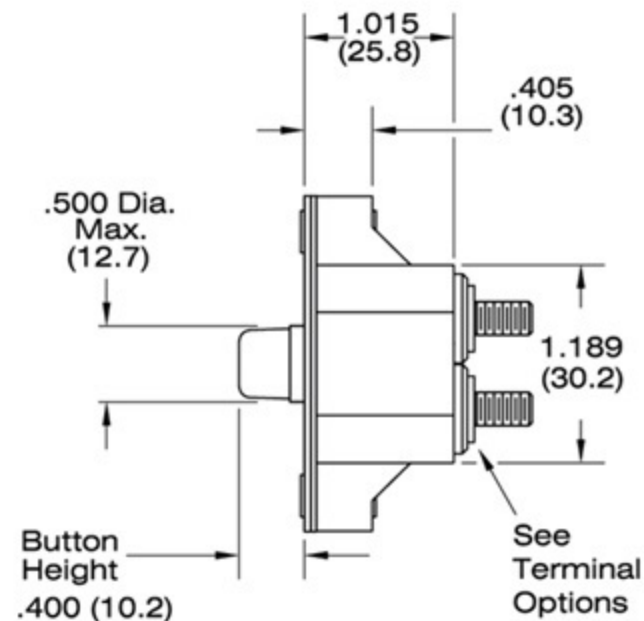
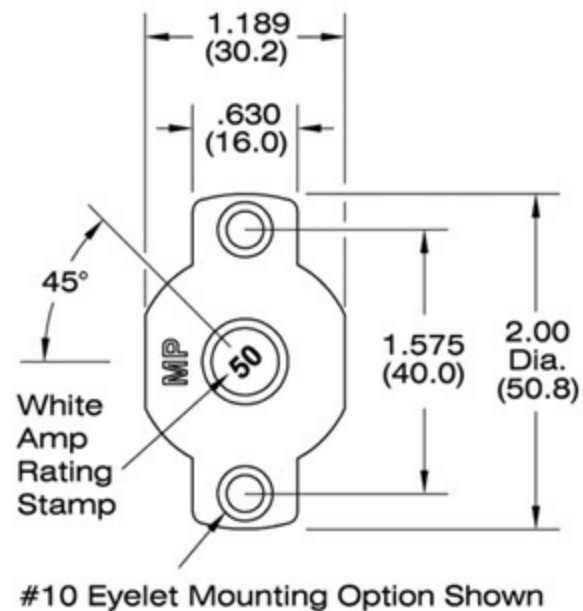
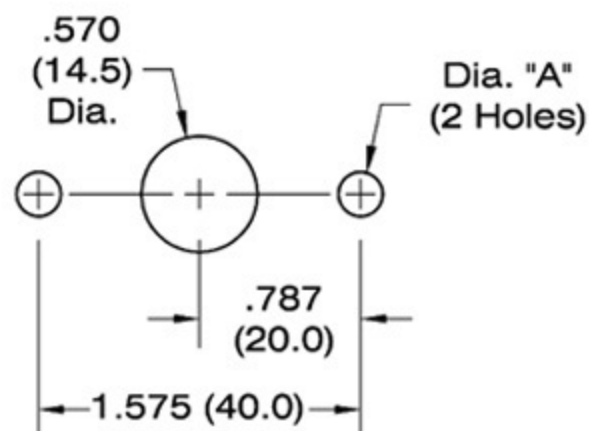


Physical Configuration



Mounting Options

Panel mounting options include both through-hole inserts for #10-32 threaded clearance and #8-32 threaded mounting inserts



Panel Mounting Options

Mounting Code	Eyelet Size	Eyelet Dia.	Optional Screw Available*	Clearance Dia. "A"
T0	#10	.220 (5.6)	-	For #10 screw
E1	#10	.220 (5.6)	#8-32	For #8 screw

