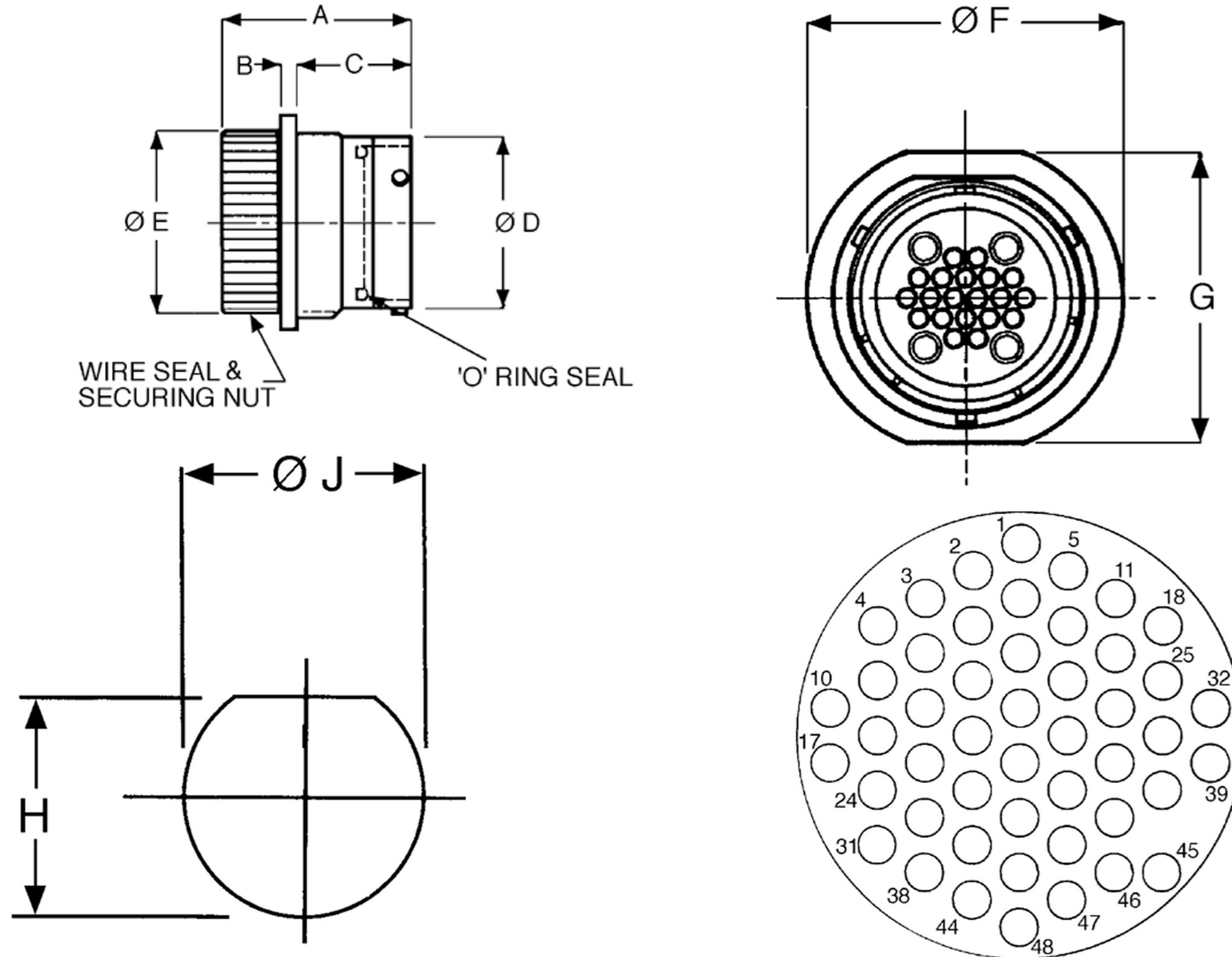


DIMENSIONS



Shell Size	Contact Layout		Part Number	A	B	C	$\varnothing D$	$\varnothing E$	$\varnothing F$	G	H	$\varnothing J$
	Power Contacts	Signal Contacts										
24	00	48	192900-0437	41.80mm	3.50mm	23.40mm	38.10mm	40.10mm	51mm	47.50mm	41.50mm	43.20mm