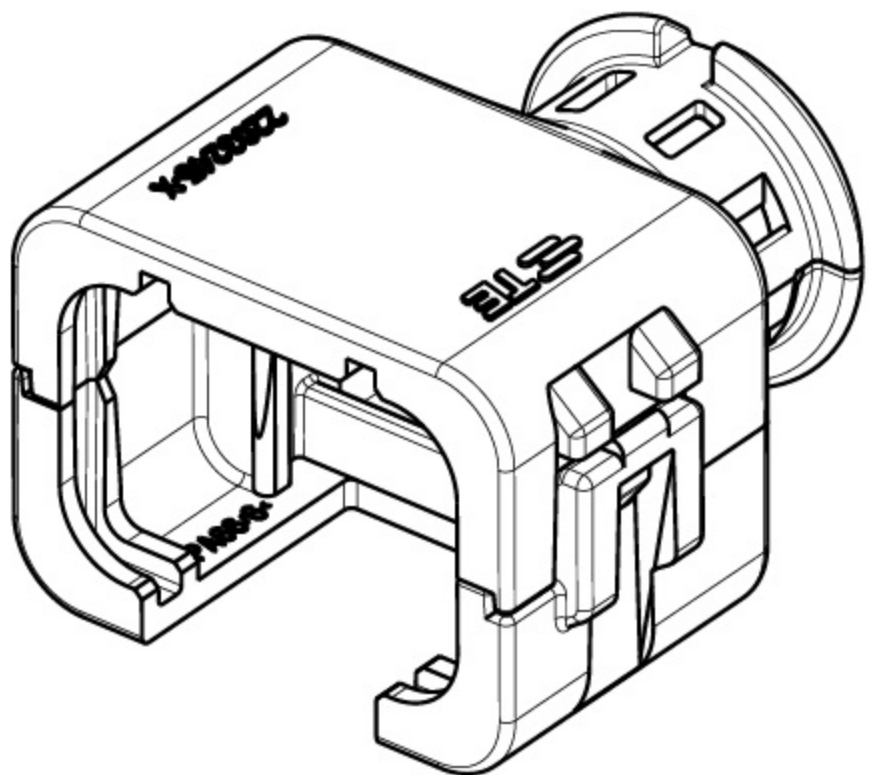
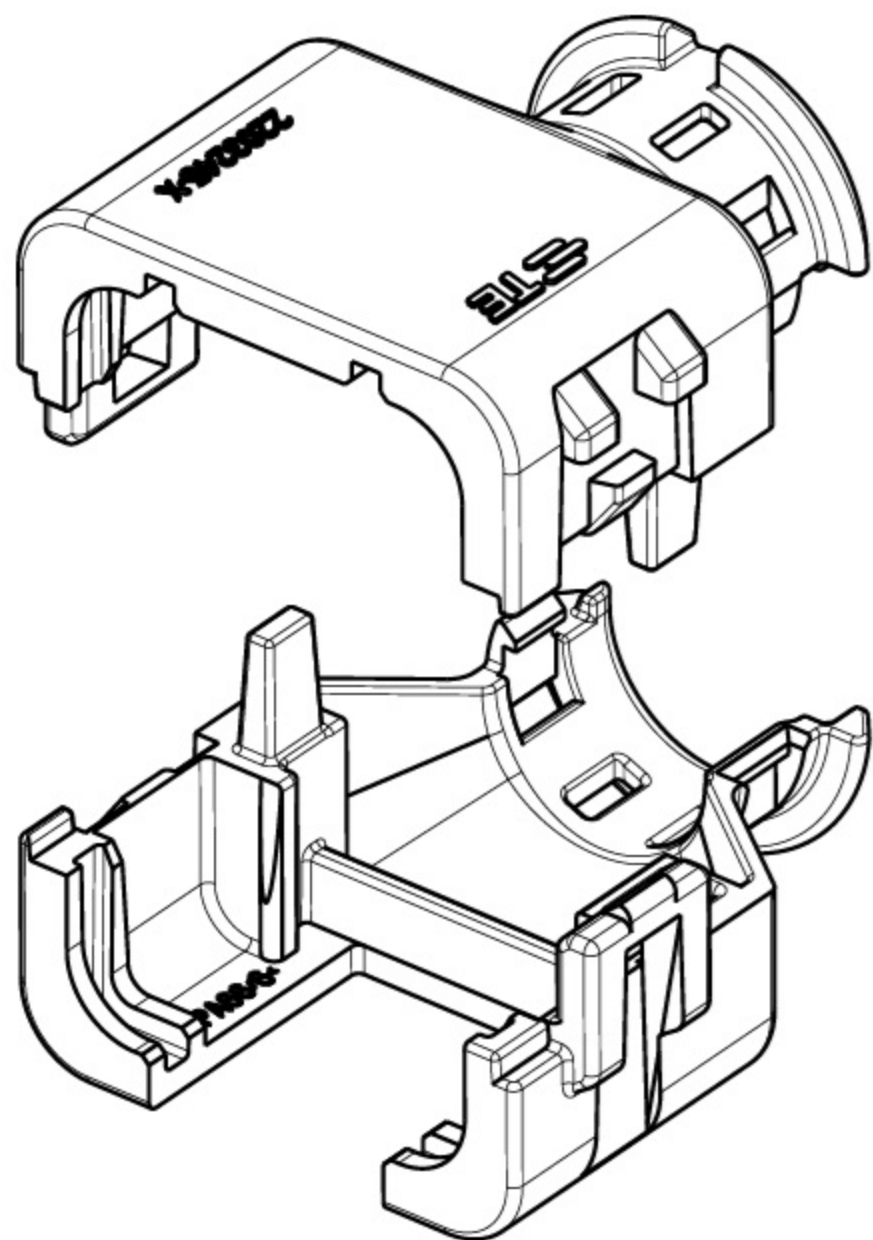


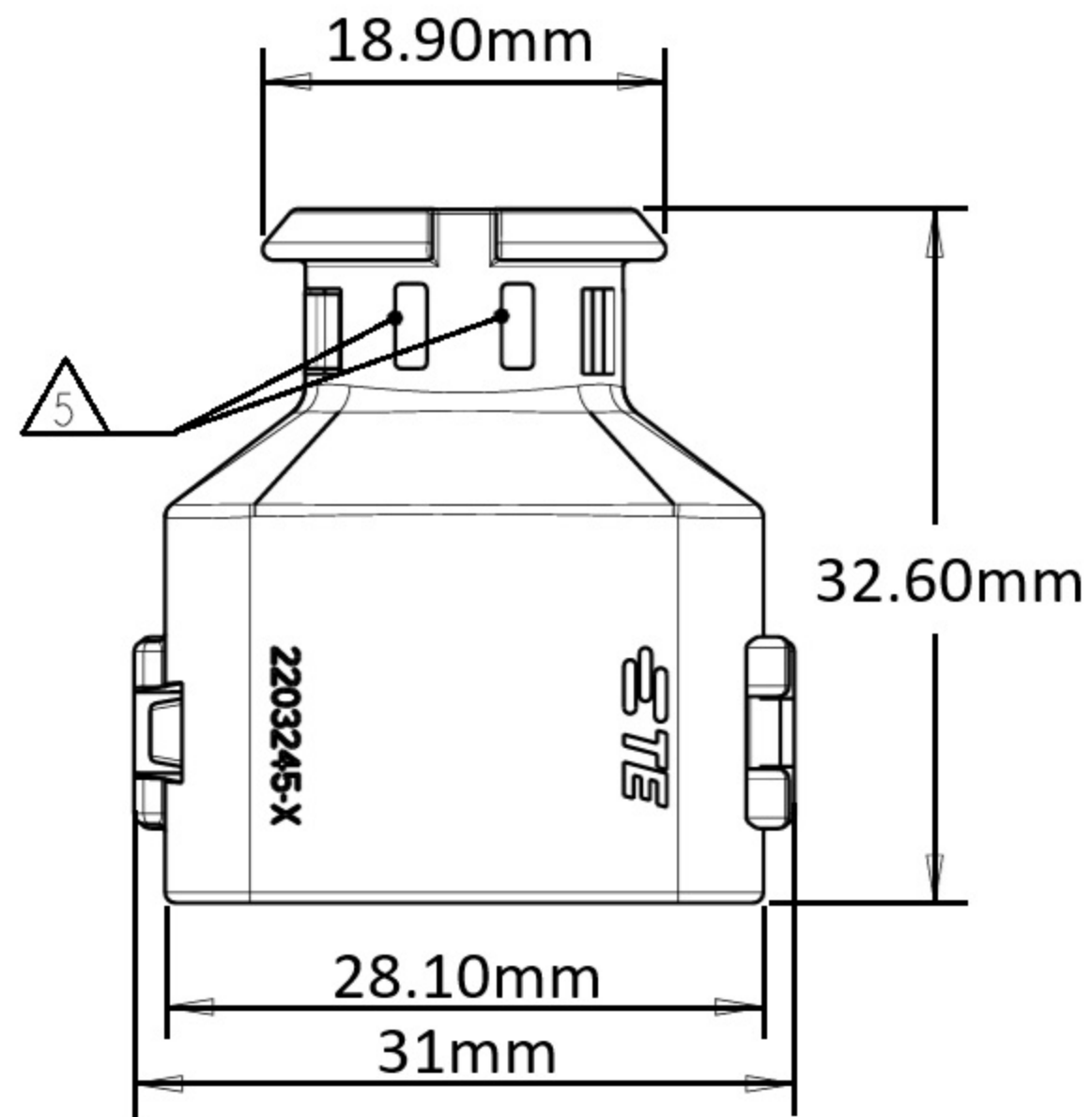
DIMENSIONS






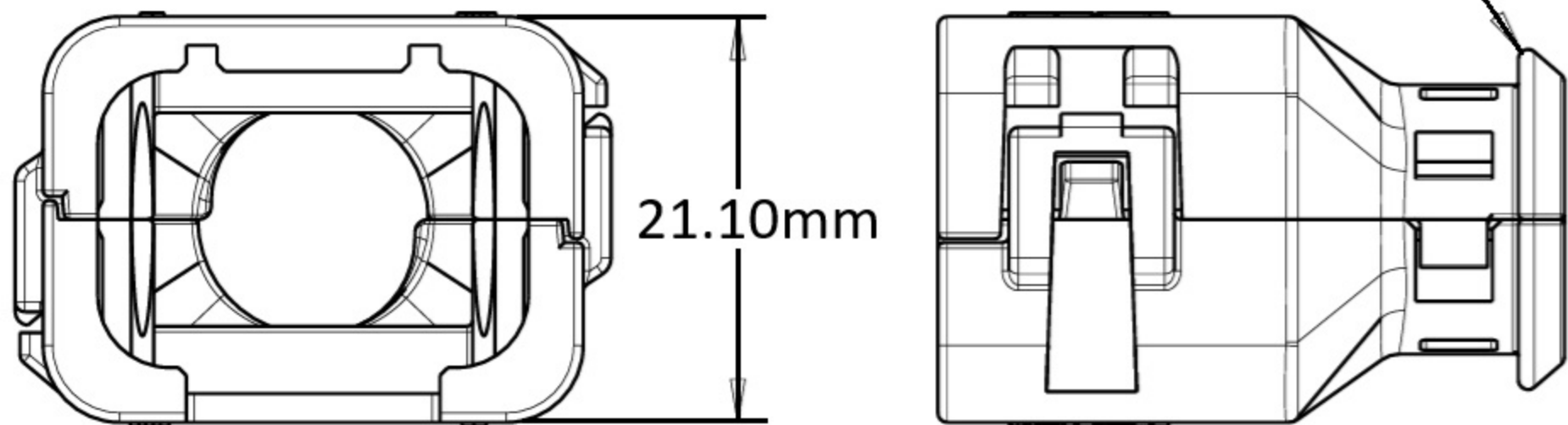
2292799-1
ASSEMBLED ISOMETRIC VIEW SHOWN



2292799-1
EXPLODED ISOMETRIC VIEW SHOWN



-  DIMENSIONS TO BE MEASURED WHEN BACKSHELLS ASSEMBLED.
-  4mm WIDE SLOTS FOR TIE WRAP TO SECURE HARNESS WIRES (-1 ONLY).
-  HEAT SHRINK TUBING RETENTION FEATURE (-1 ONLY).



2292799-1
ASSEMBLED VIEW SHOWN

DIMENSIONS SHOWN TYPICAL FOR ALL PART NUMBERS  EXCEPT AS NOTED