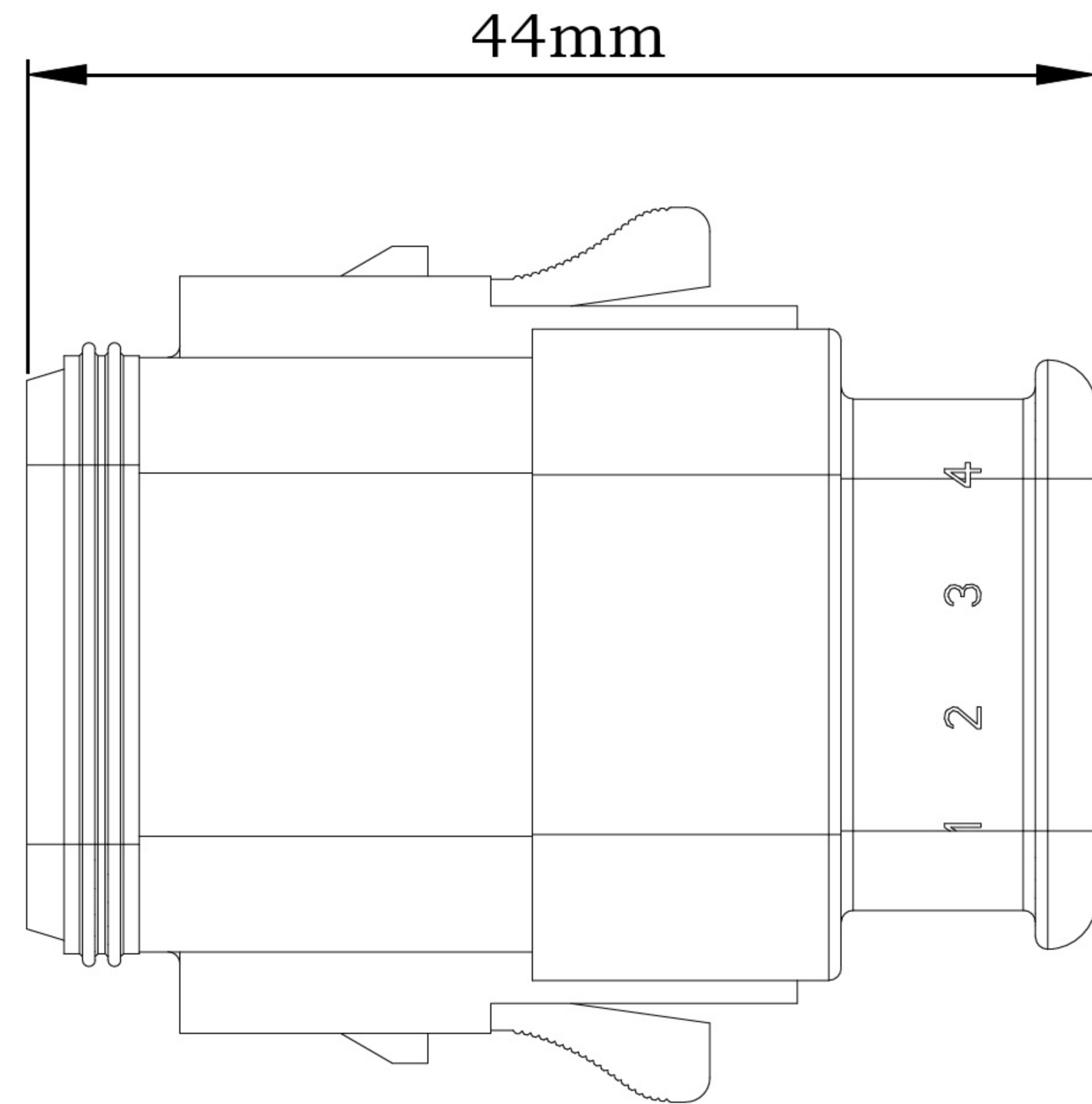
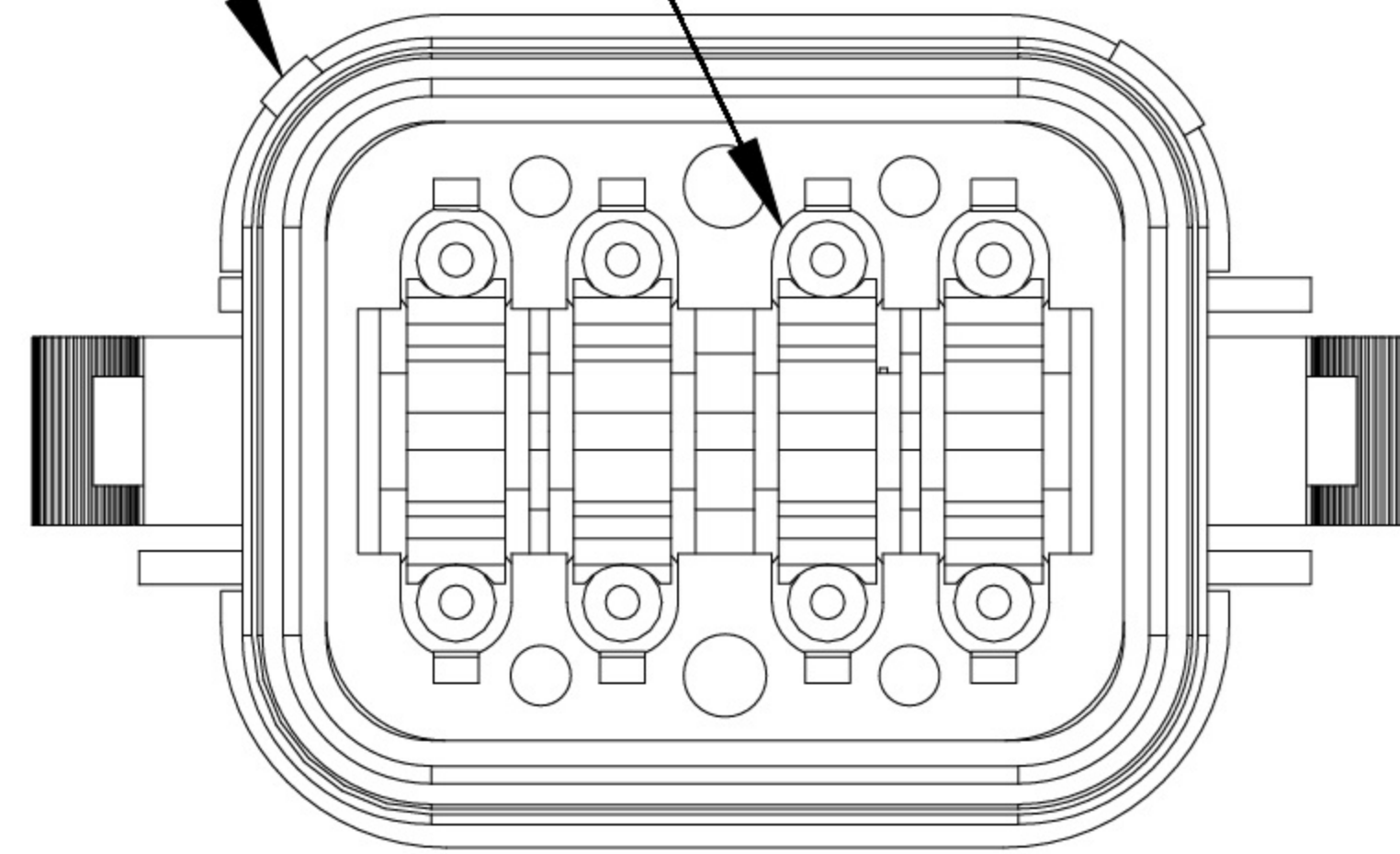


DIMENSIONS

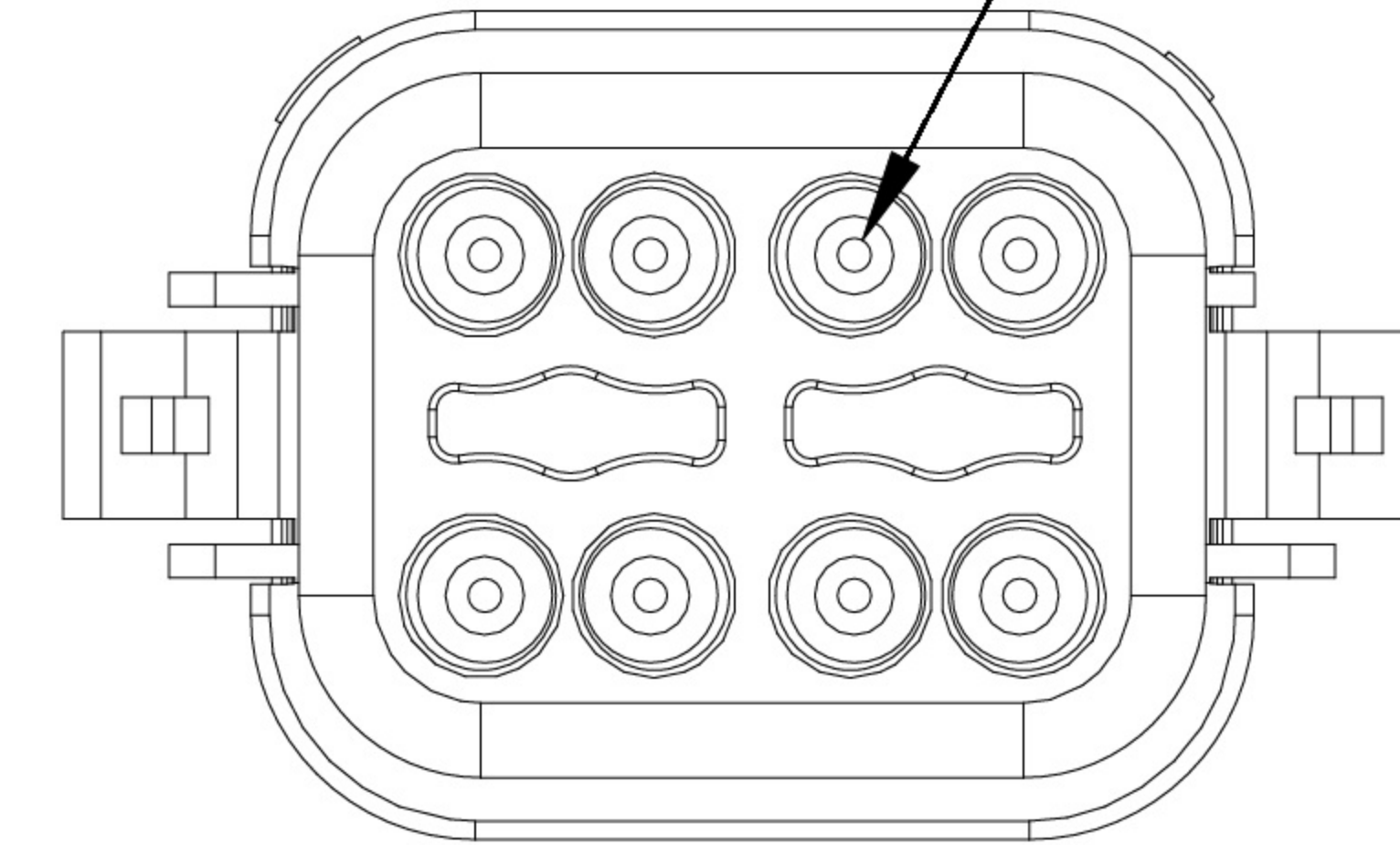


1
KEYED (2) PLACES

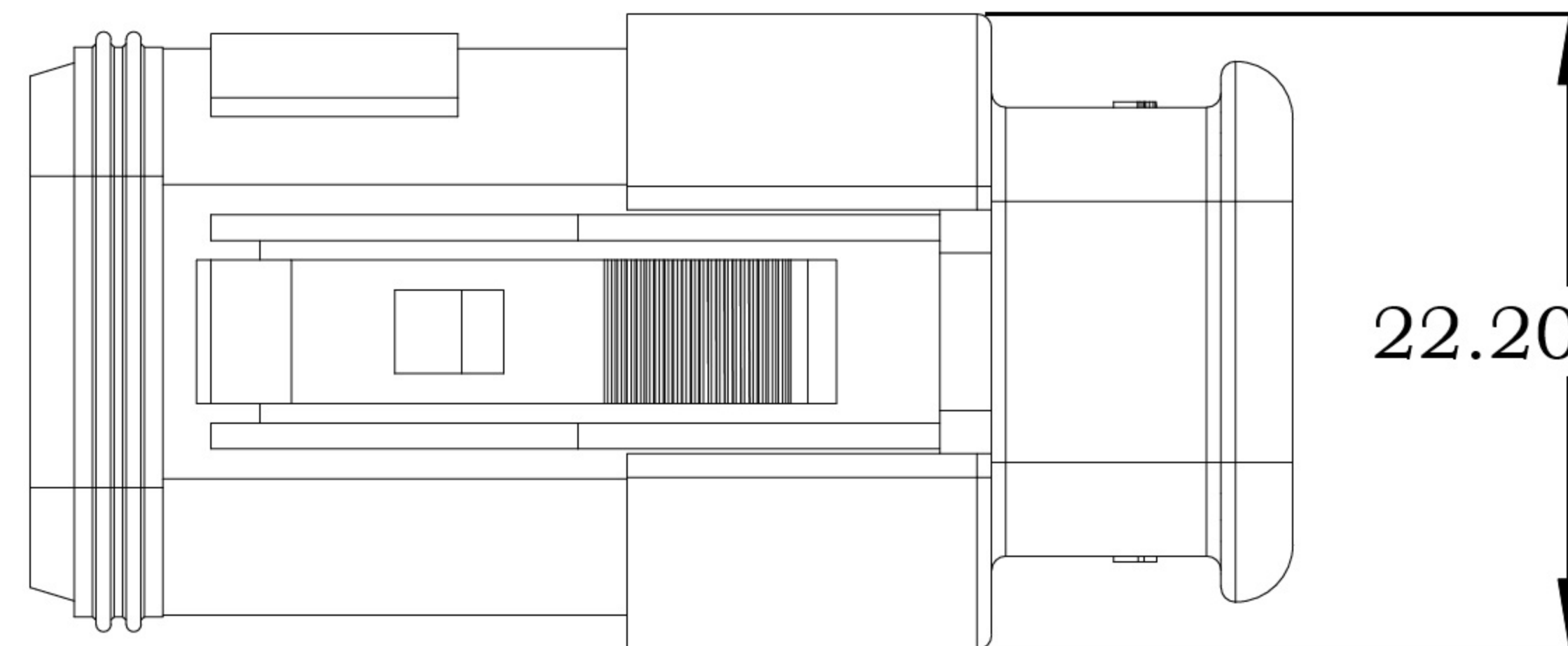
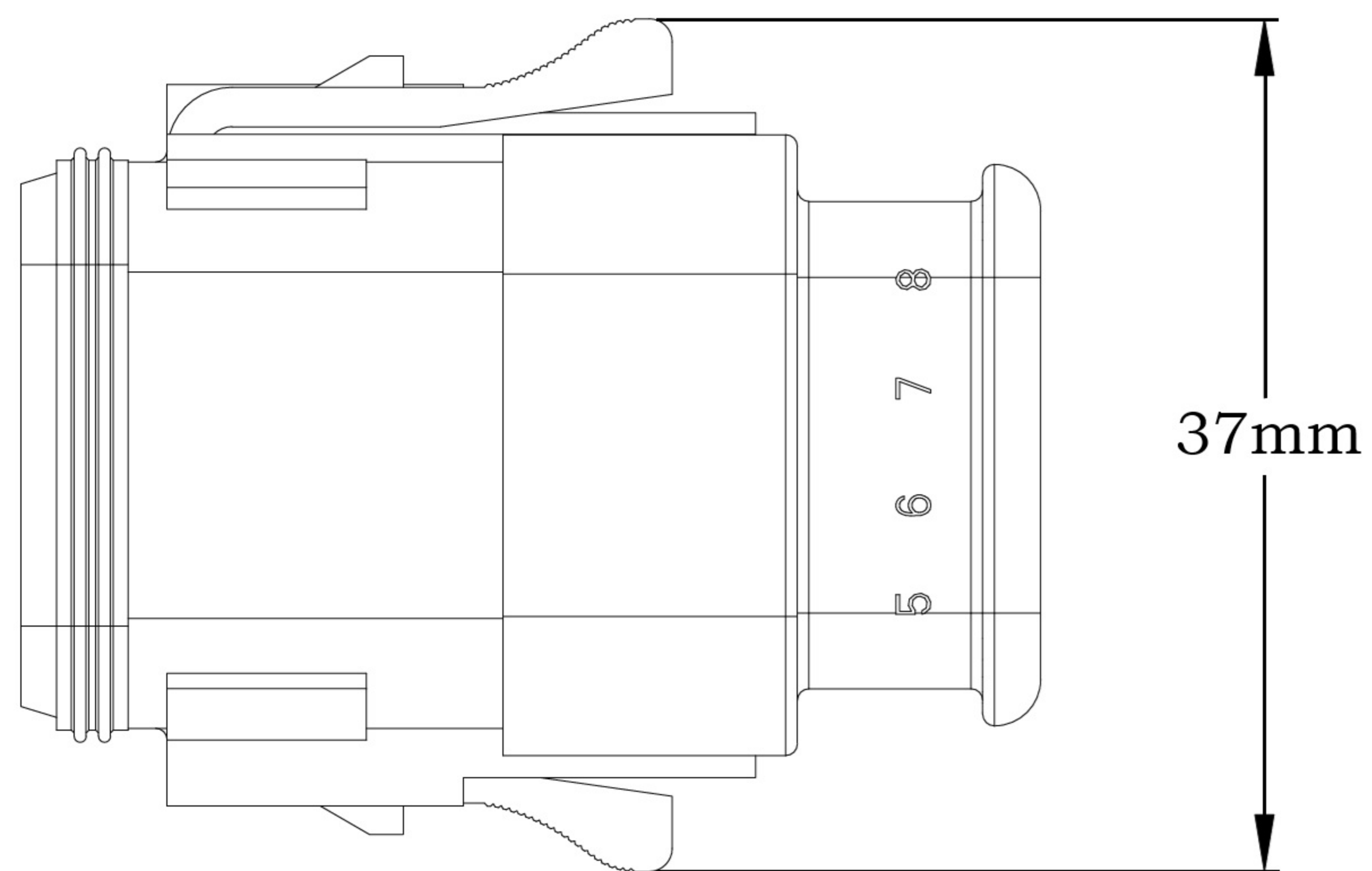
REQUIRES CONTACT
RETENTION WEDGE AW8S



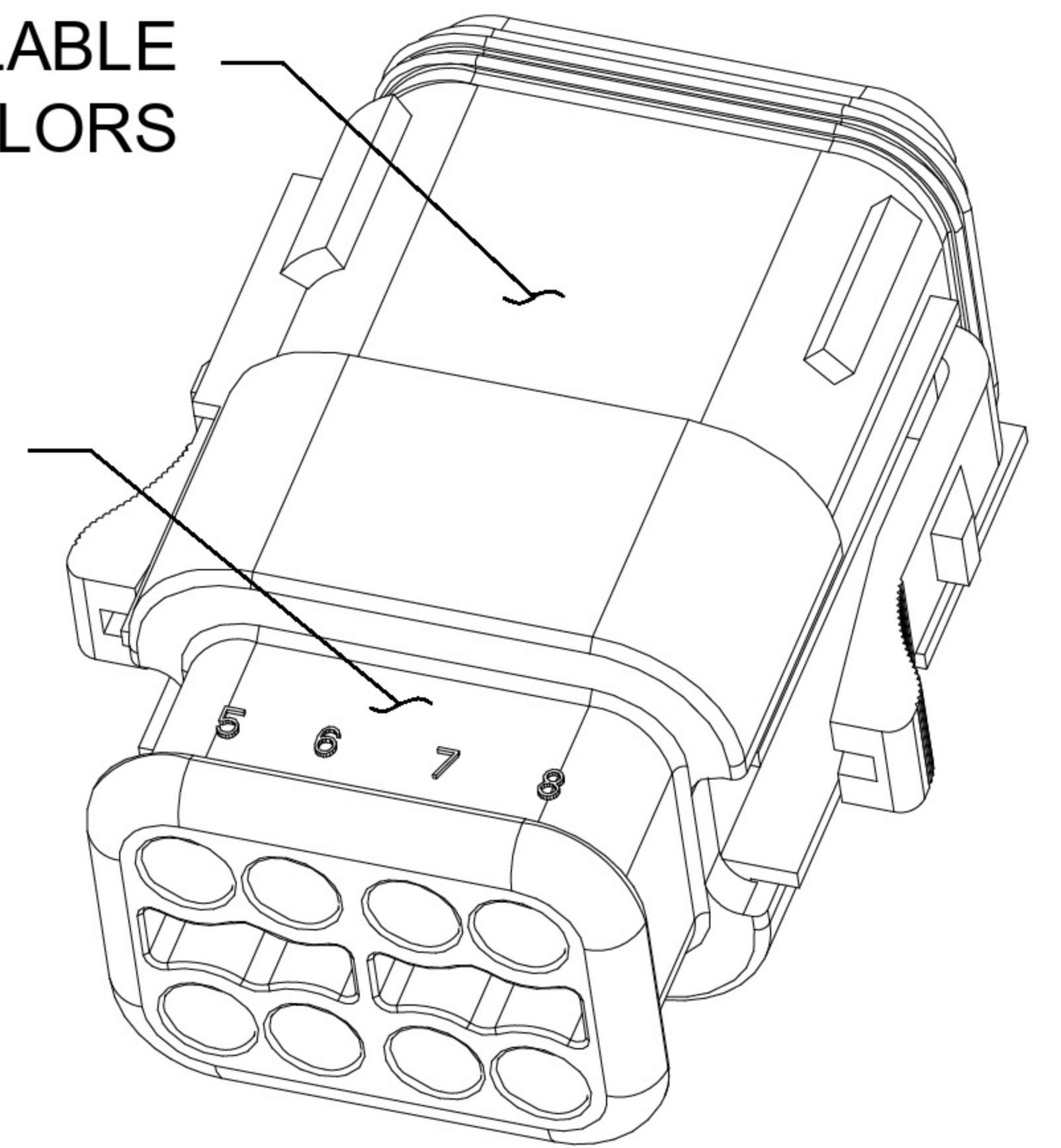
7
REDUCED DIAMETER
WIRE SEAL



1 REFER TO SHEET 2 FOR AVAILABLE
CONNECTOR HOUSING COLORS



STRAIN RELIEF END CAP -
BLACK - ALL CONNECTORS



1 SEE SHEET 2 FOR KEY ARRANGEMENTS AND COLORS.

7 CONTACT SIZE AND REAR SEAL WIRE RANGE:

CONTACT SIZE	MIN. INSUL O.D.	MAX. INSUL O.D.	TYPICAL WIRE RANGE
16	1.35 mm (.053 in)	3.05 mm (.120 in)	14 - 20 AWG