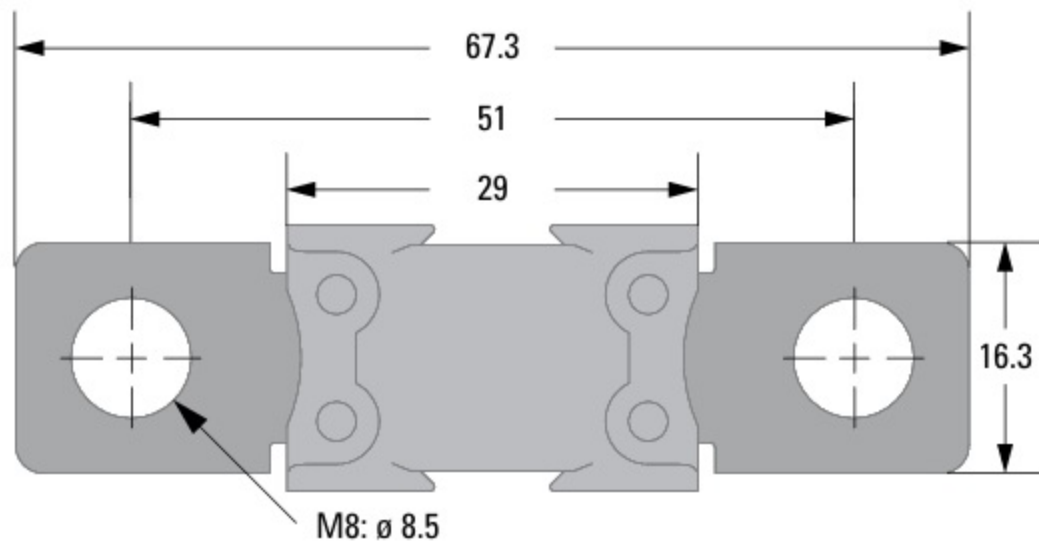


DIMENSIONS



0.5 (100-125A)

0.8 (150-200A)

1.0 (225-300A)

1.5 (400-500A)



9.3 (100-200A)

9.4 (225-300A)

10 (400-500A)