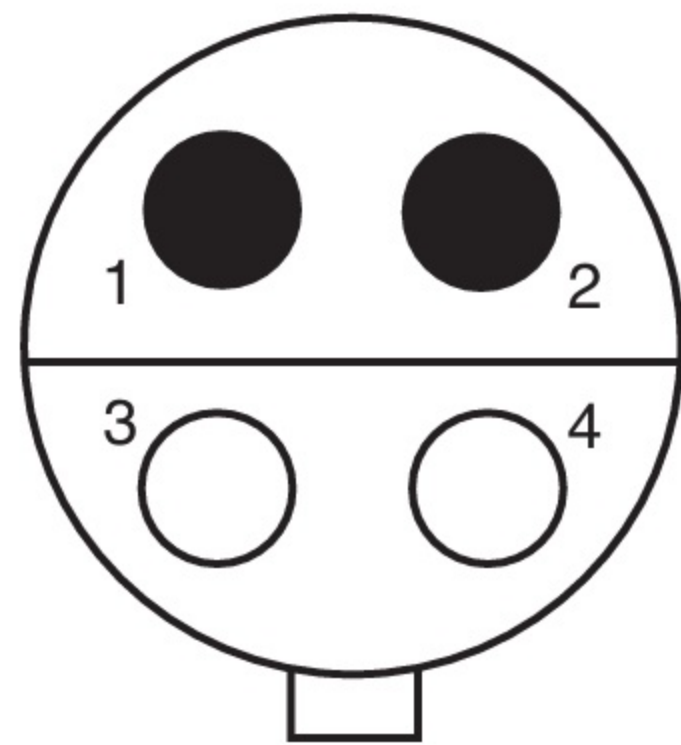
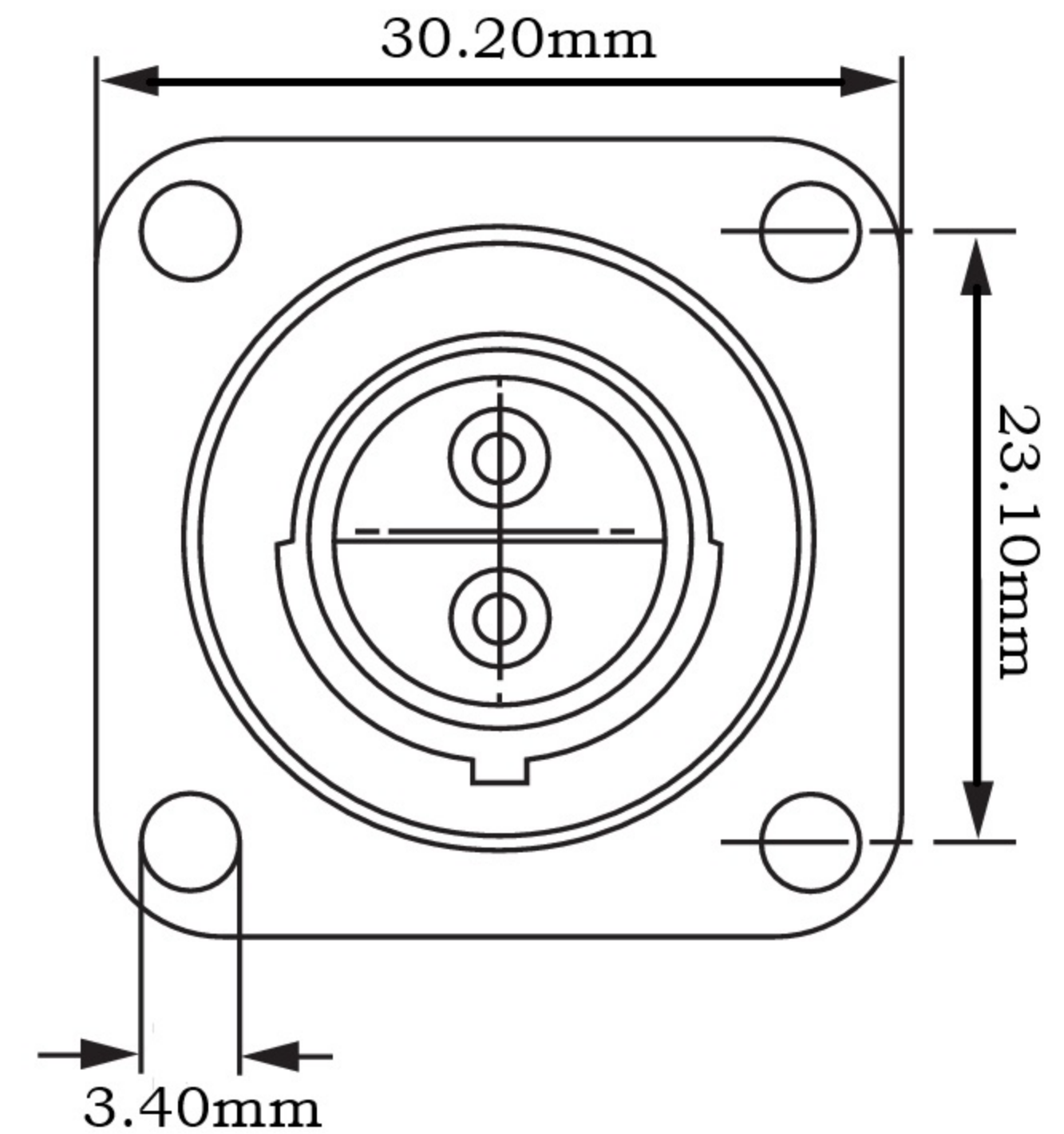
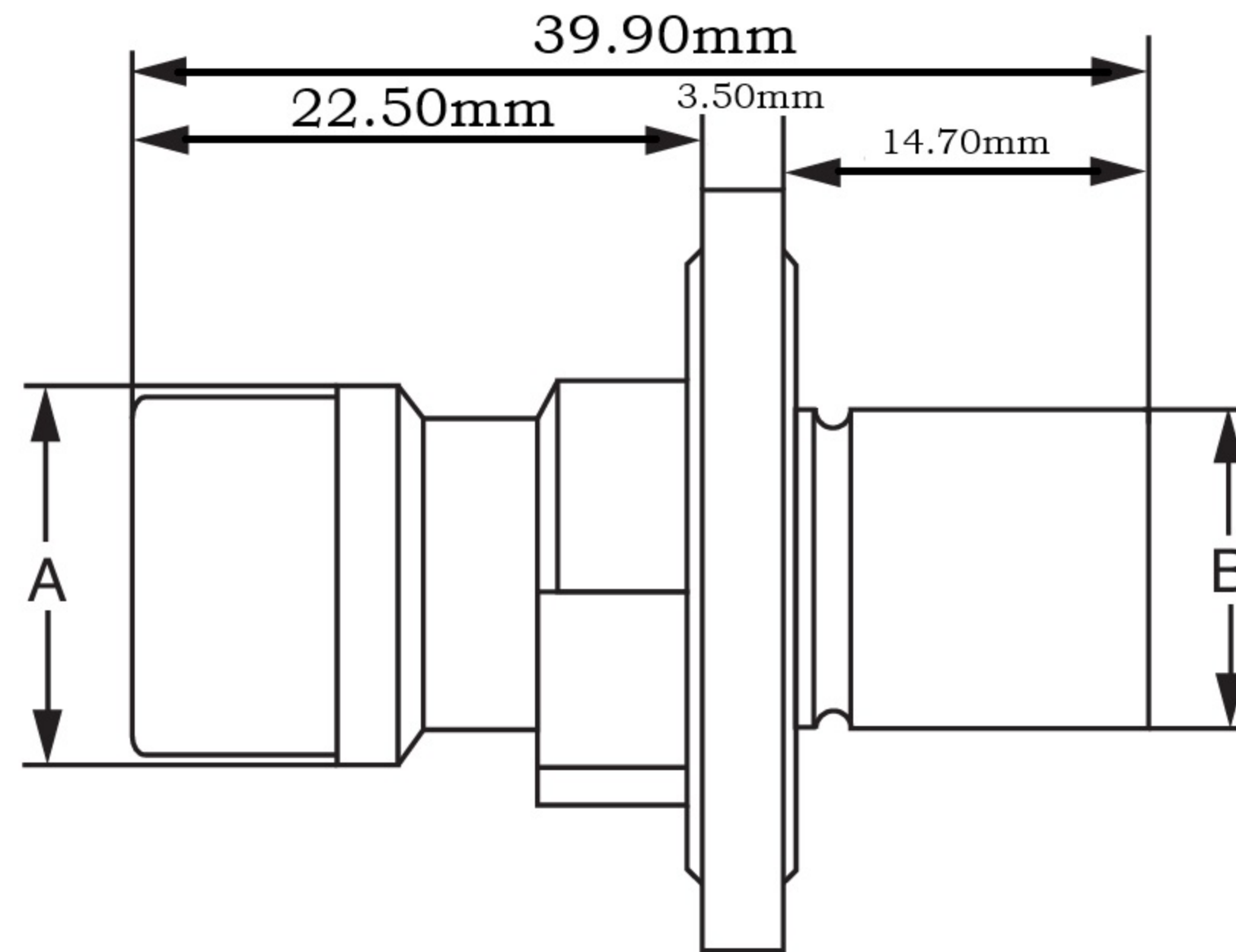


# DIMENSIONS



4 contacts



No. of contacts	Shell size	Part No.	A - 0,3	B - 0,3	Insulation Ø
4	SSF4P	120-8552-202	15.20mm	12.30mm	1.80mm - 2.80mm