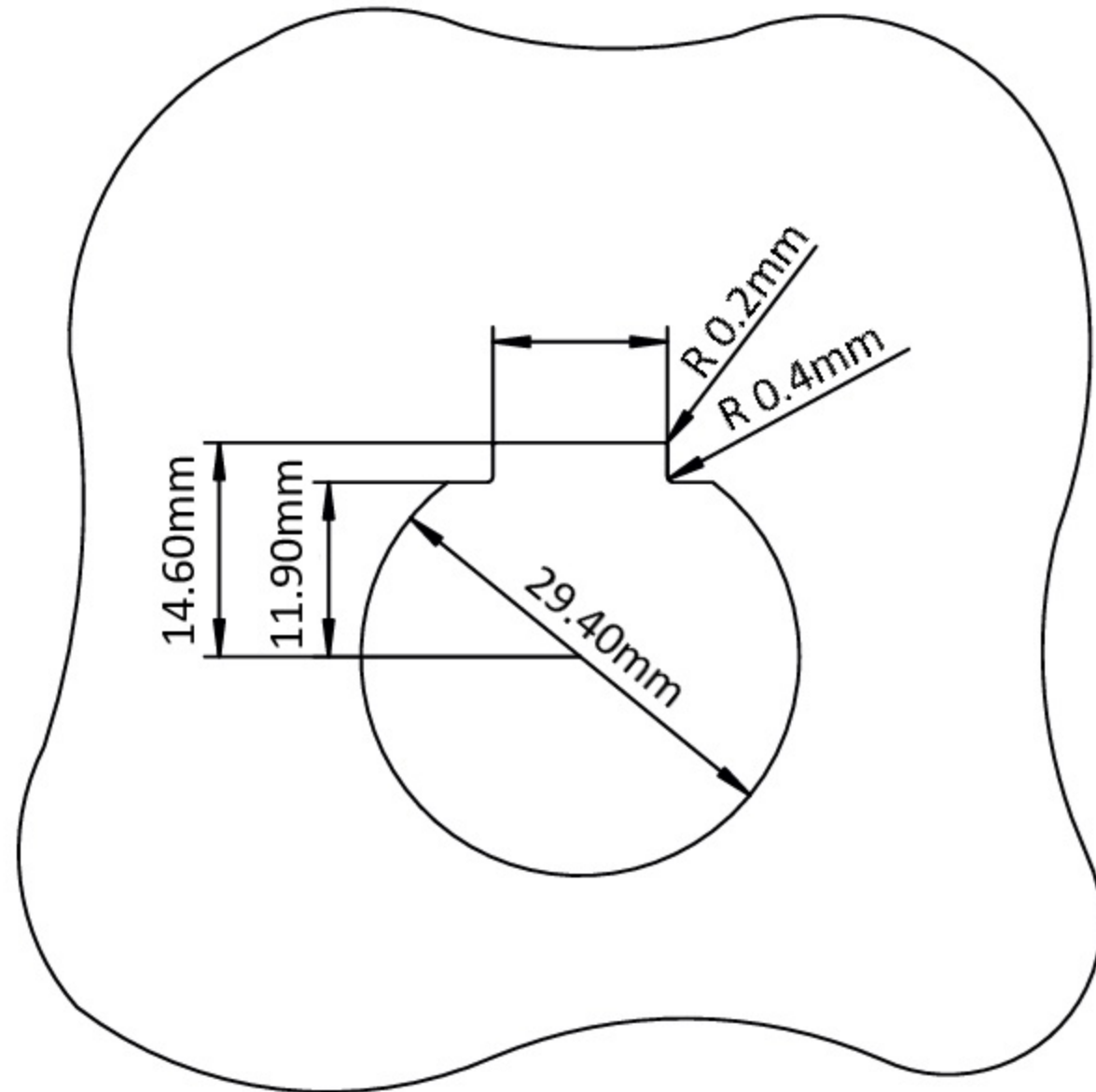


DIMENSIONS

Panel Cut Out

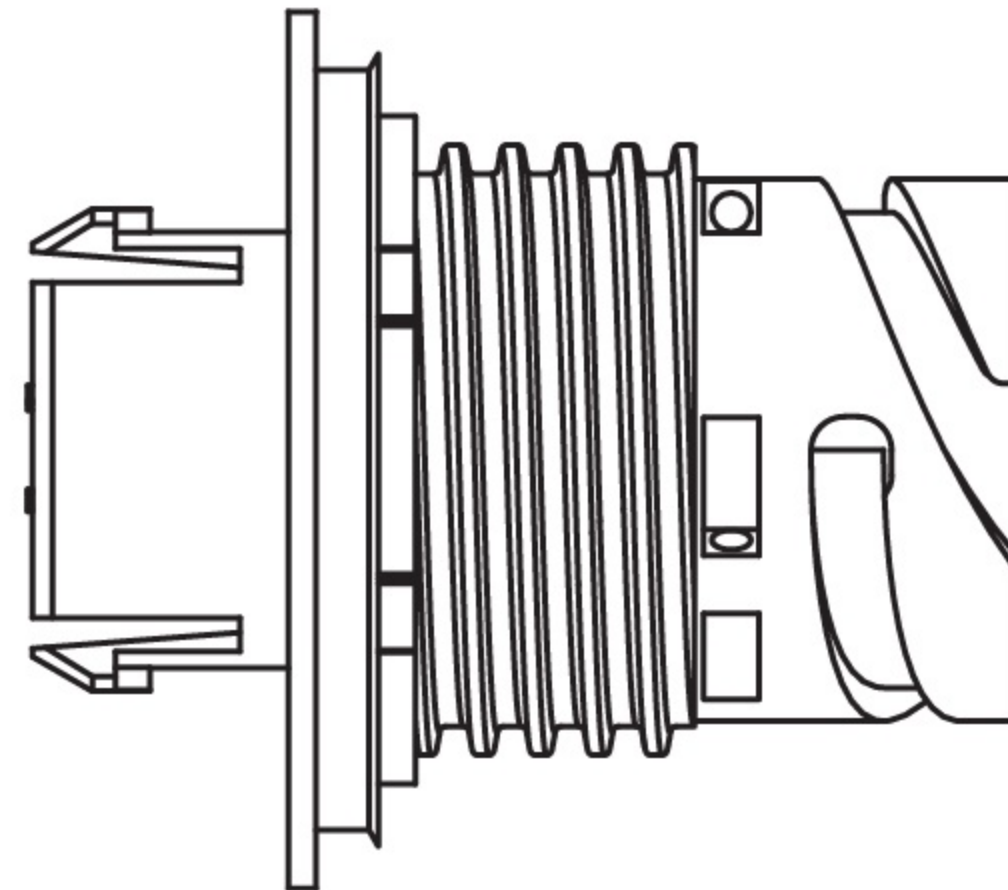
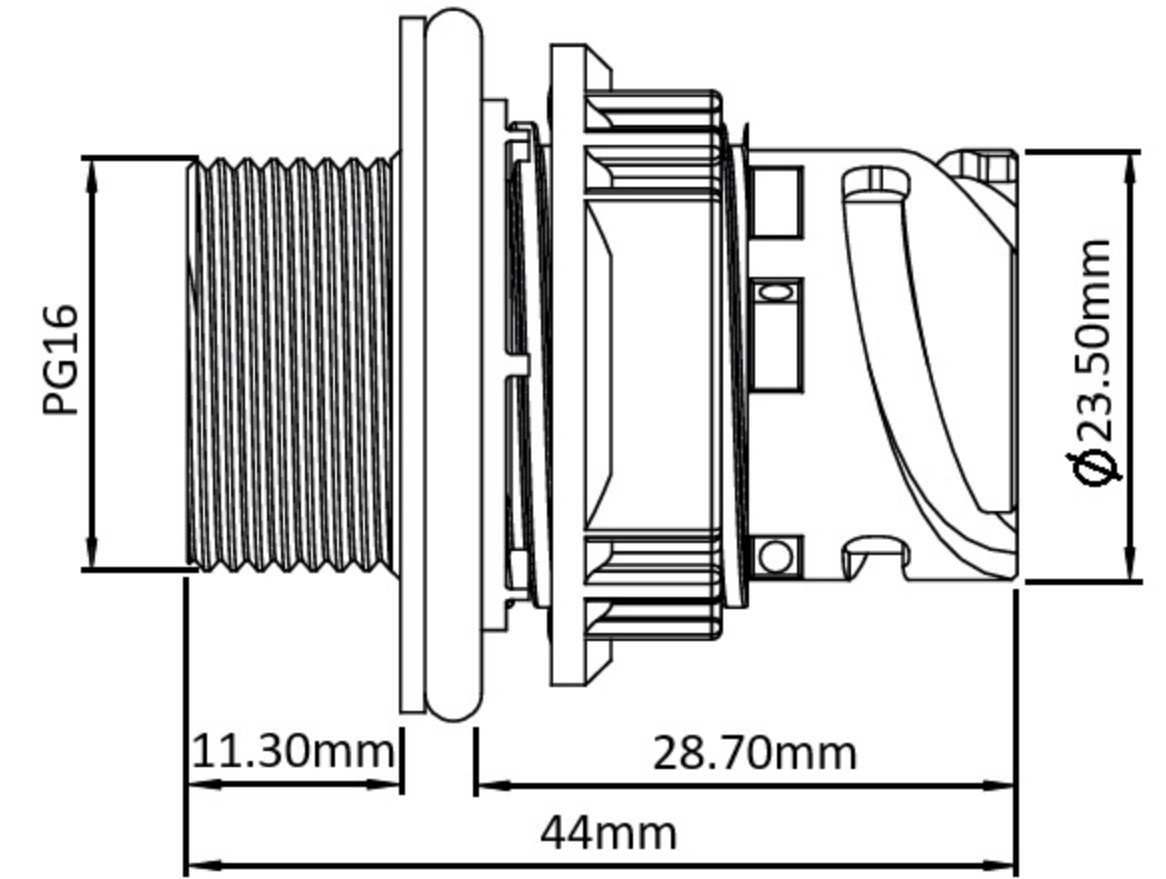
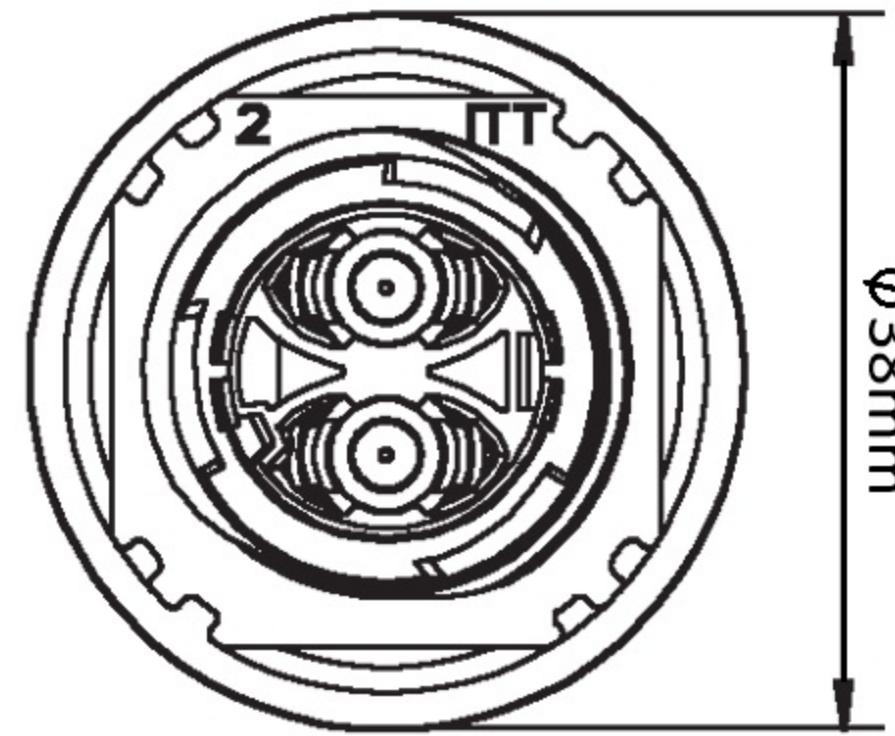
Flange for all Flange Receptacles



Wall Thickness:

Standard Jam Nut: min. 1,0 / max. 4,0 mm

Special Jam Nut: min. 2,0 / max. 5,0 mm



Housing



O-ring



Jam Nut