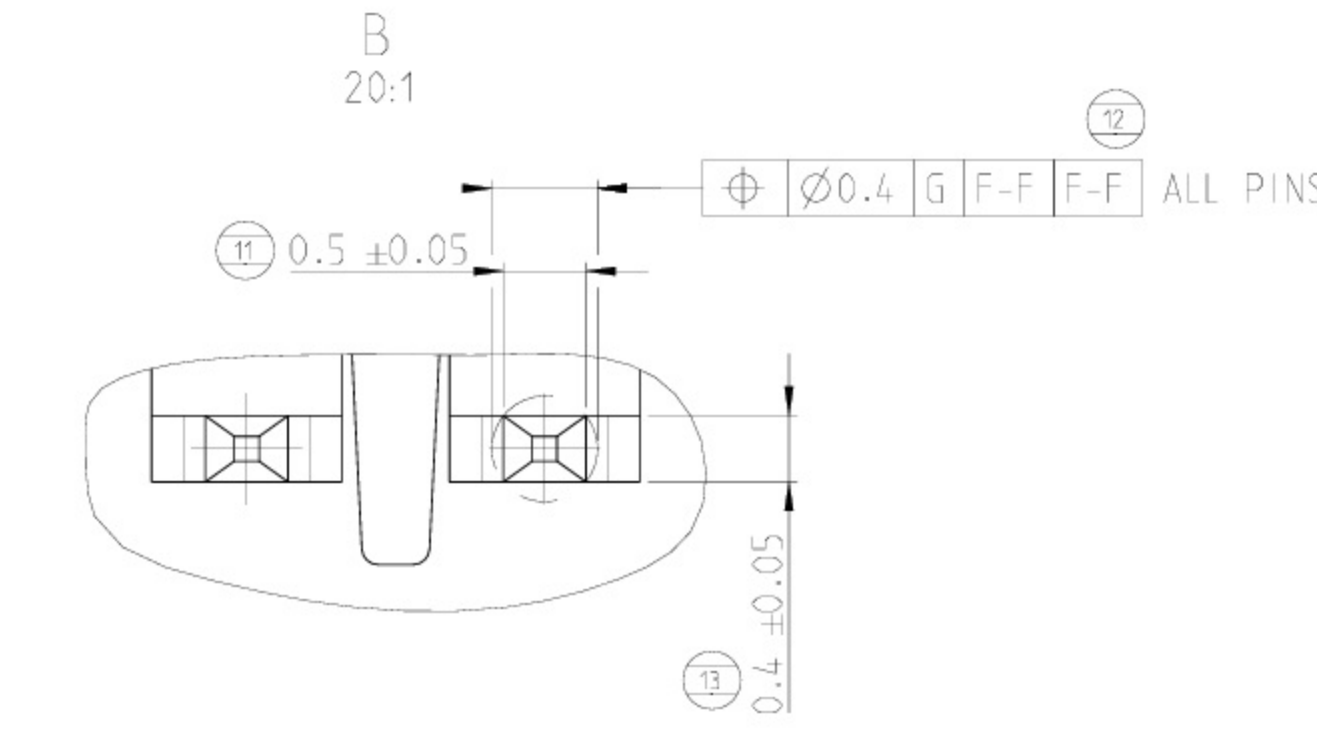
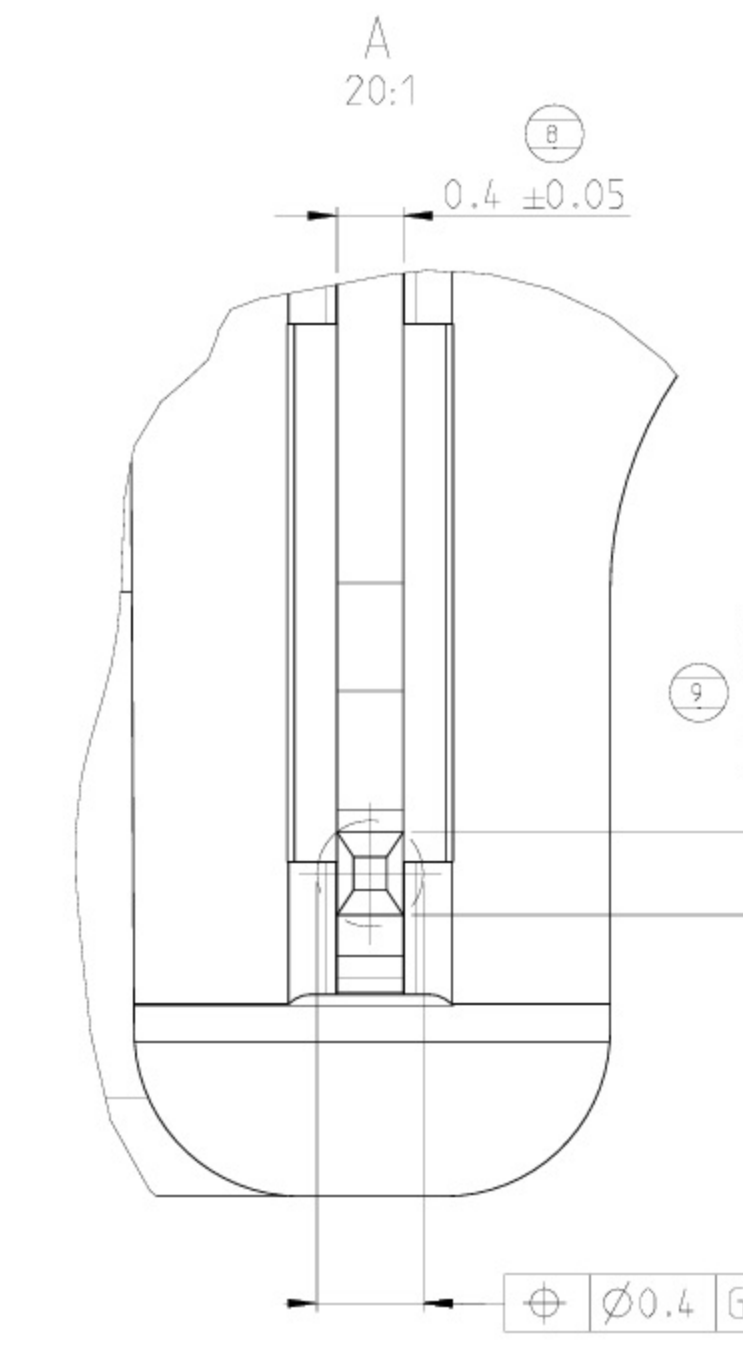
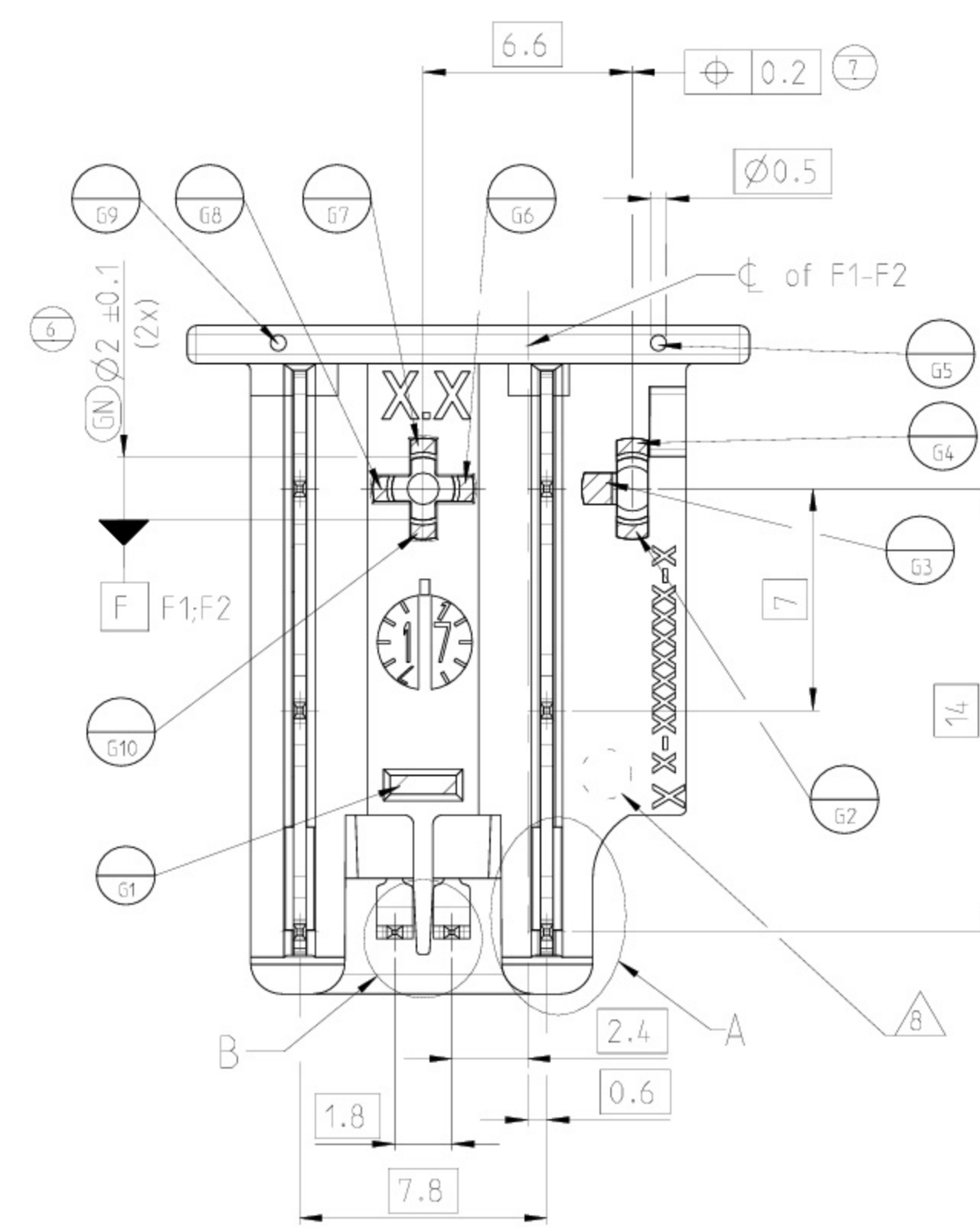
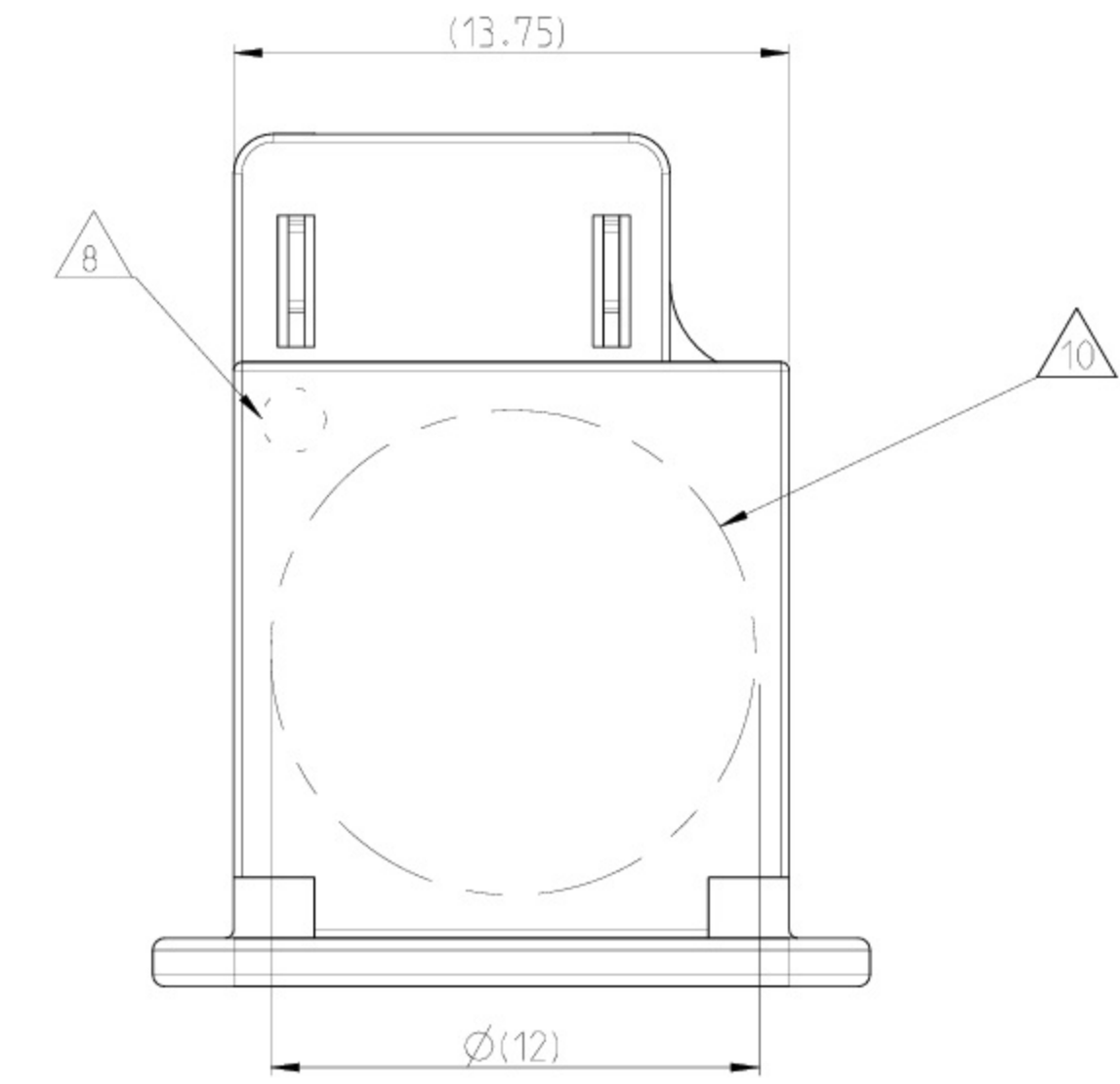
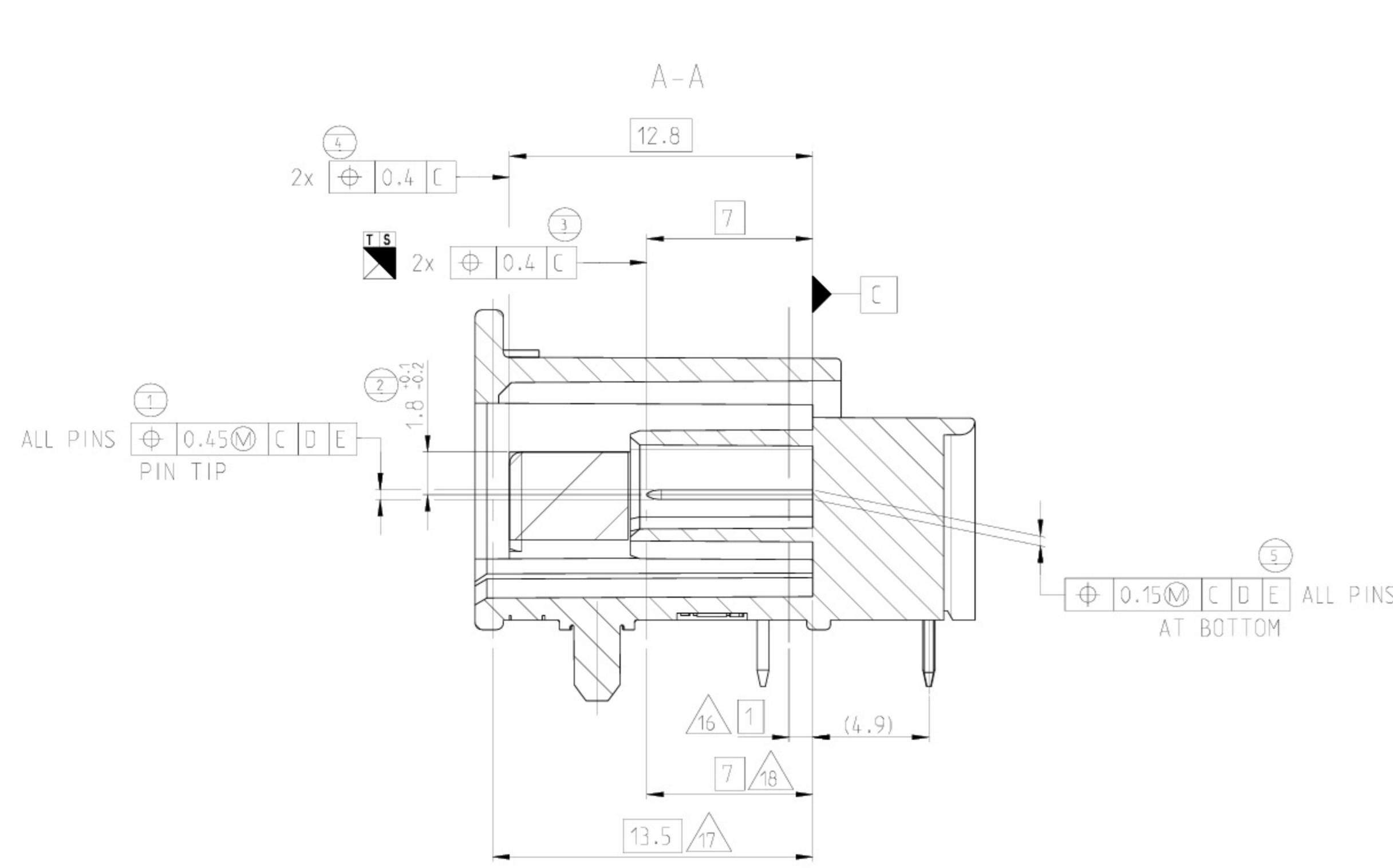


DIMENSIONS



- INTERFACES AND COLOUR ACC. TO 208-18006, REV. A4, 26MAR2020
- TOLERANCES ACC. TO DIN EN ISO 8015, DIN EN ISO 14405-1
GENERAL TOL. ACC. TO DIN 16742 TG5, EXCEPT ANGLE DIM. (SEE TITLE BLOCK)
- GOOD PART MARKING PUNCH MARKED
- APPLICATION SPECIFICATION ACC. TO 114-94448
- REFERENCE POINTS A1-A4, B1-B2, D1-D4, E1-E2 TO BE TAKEN IN SHOWN HEIGHT
- REFERENCE POINTS A5-A8, B3-B4 TO BE TAKEN IN SHOWN HEIGHT
- REFERENCE POINTS D5-D8, E3-E4 TO BE TAKEN IN SHOWN HEIGHT

