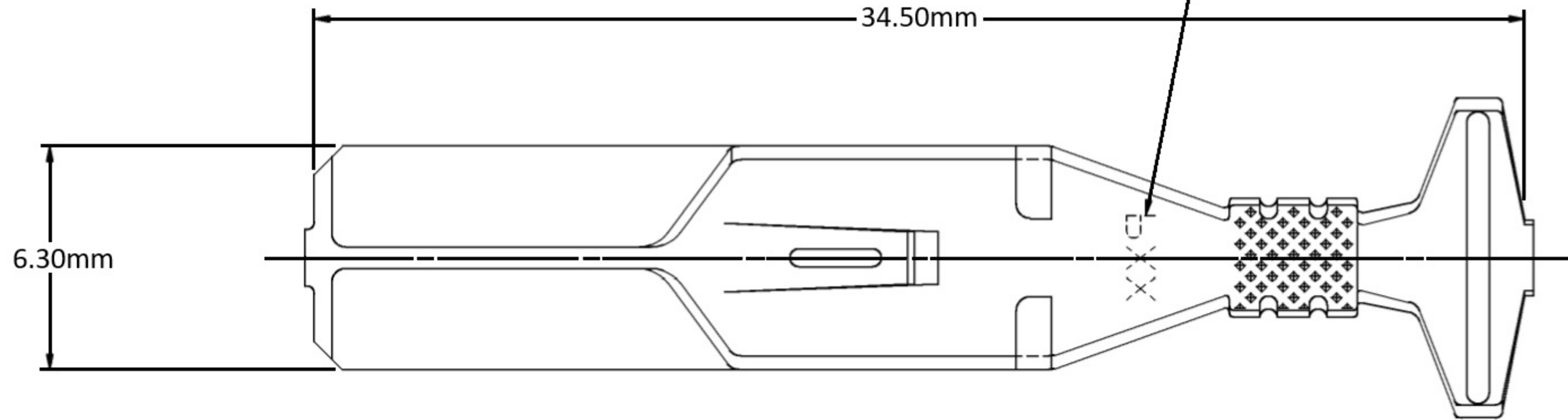
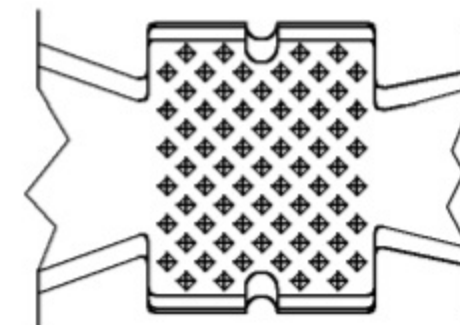
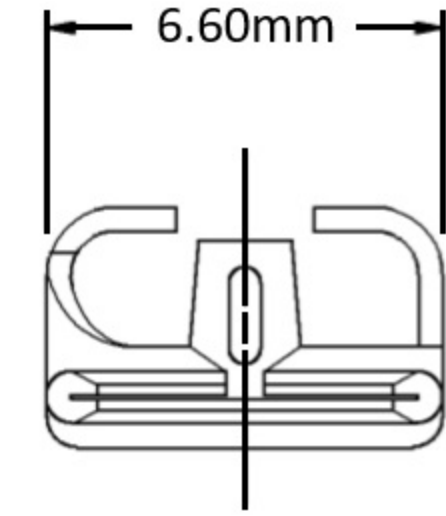


DIMENSIONS

STAMP "PXX" ON UNDERSIDE IN THIS AREA
WITH 0.8 HIGH CHARACTERS PER NOTE #4



TYPE 101



TYPE 102

SAME AS TYPE 101
EXCEPT AS SHOWN

INSULATION WINGS
(SEE CHART FOR MAX INSULATION DIA)

CONDUCTOR WINGS
(SEE CHART FOR CABLE SIZE)

