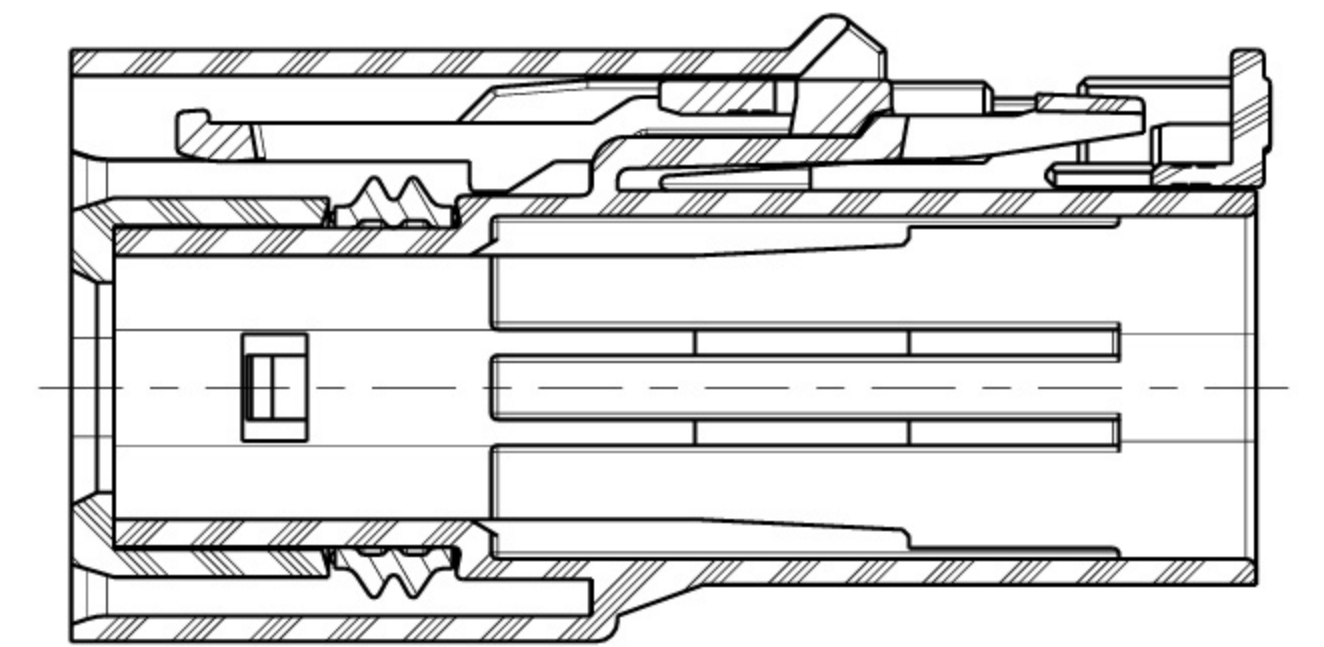
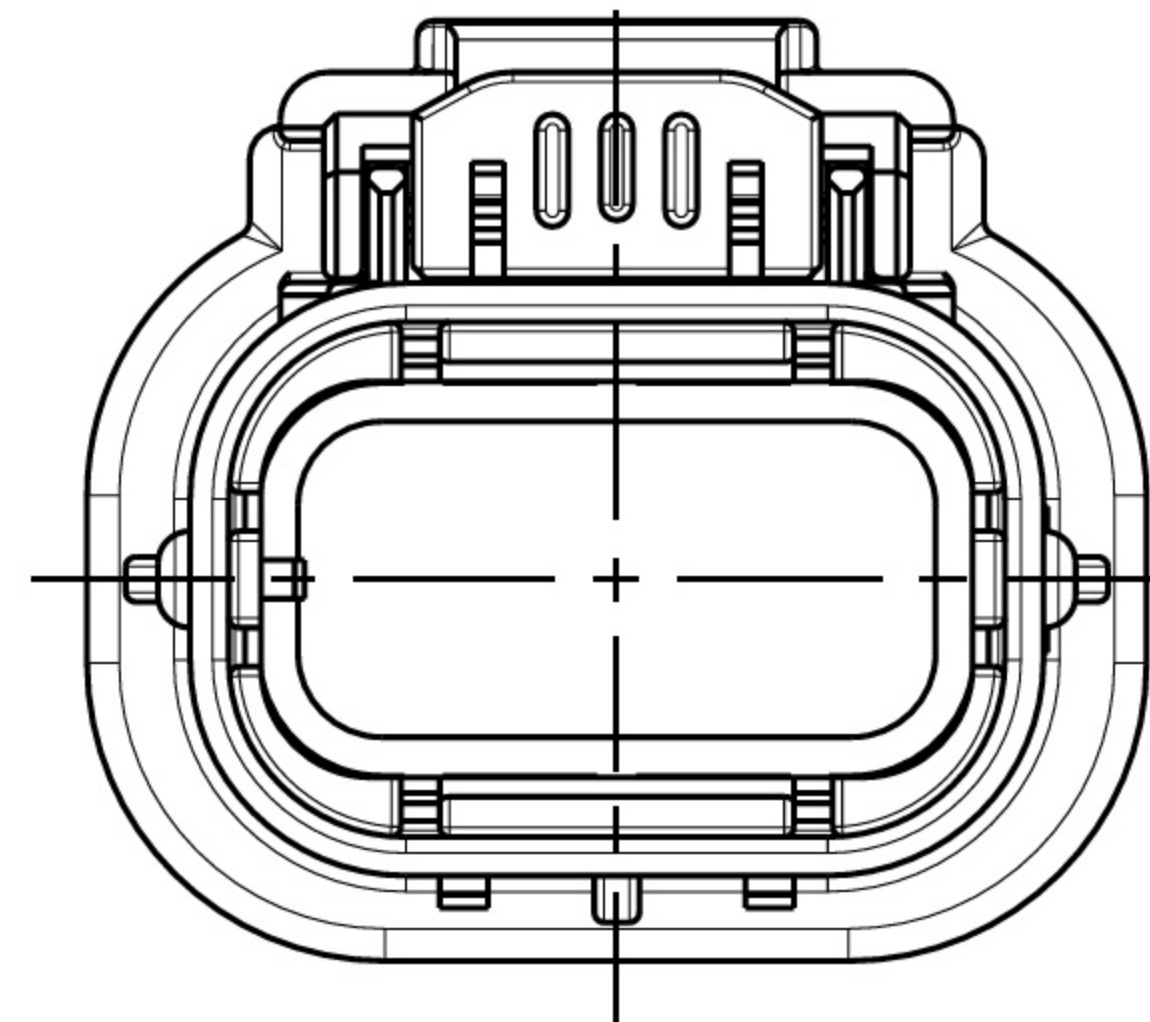
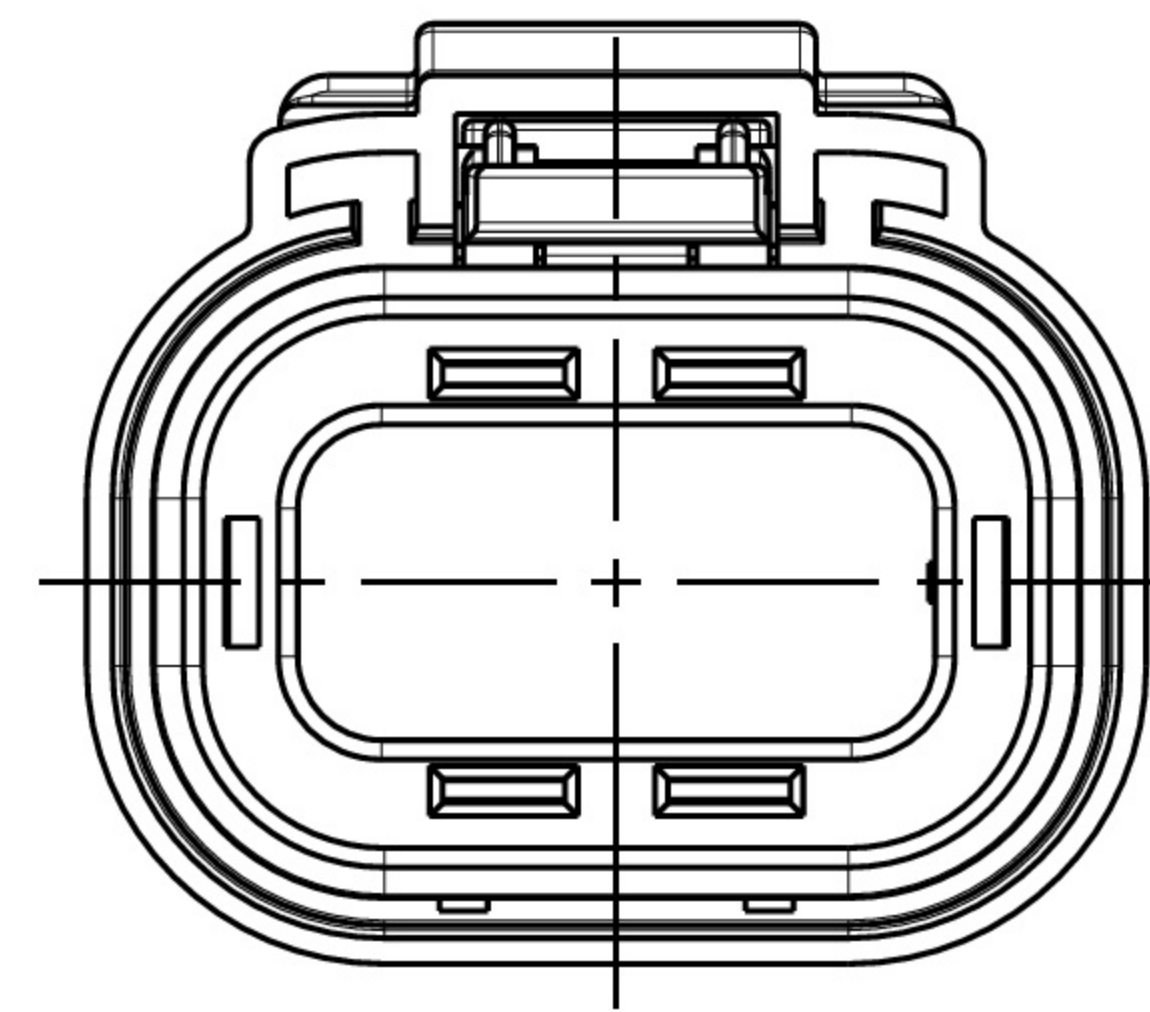
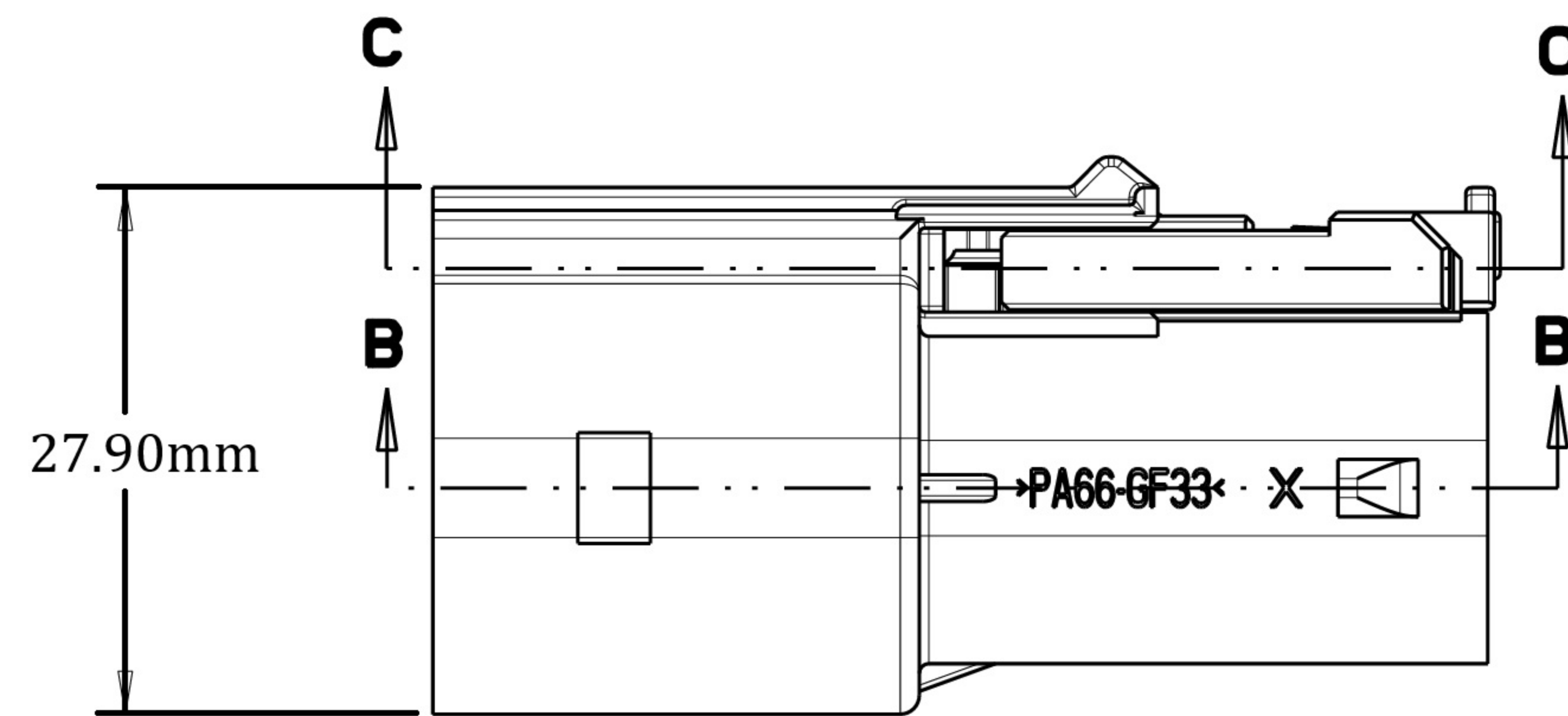
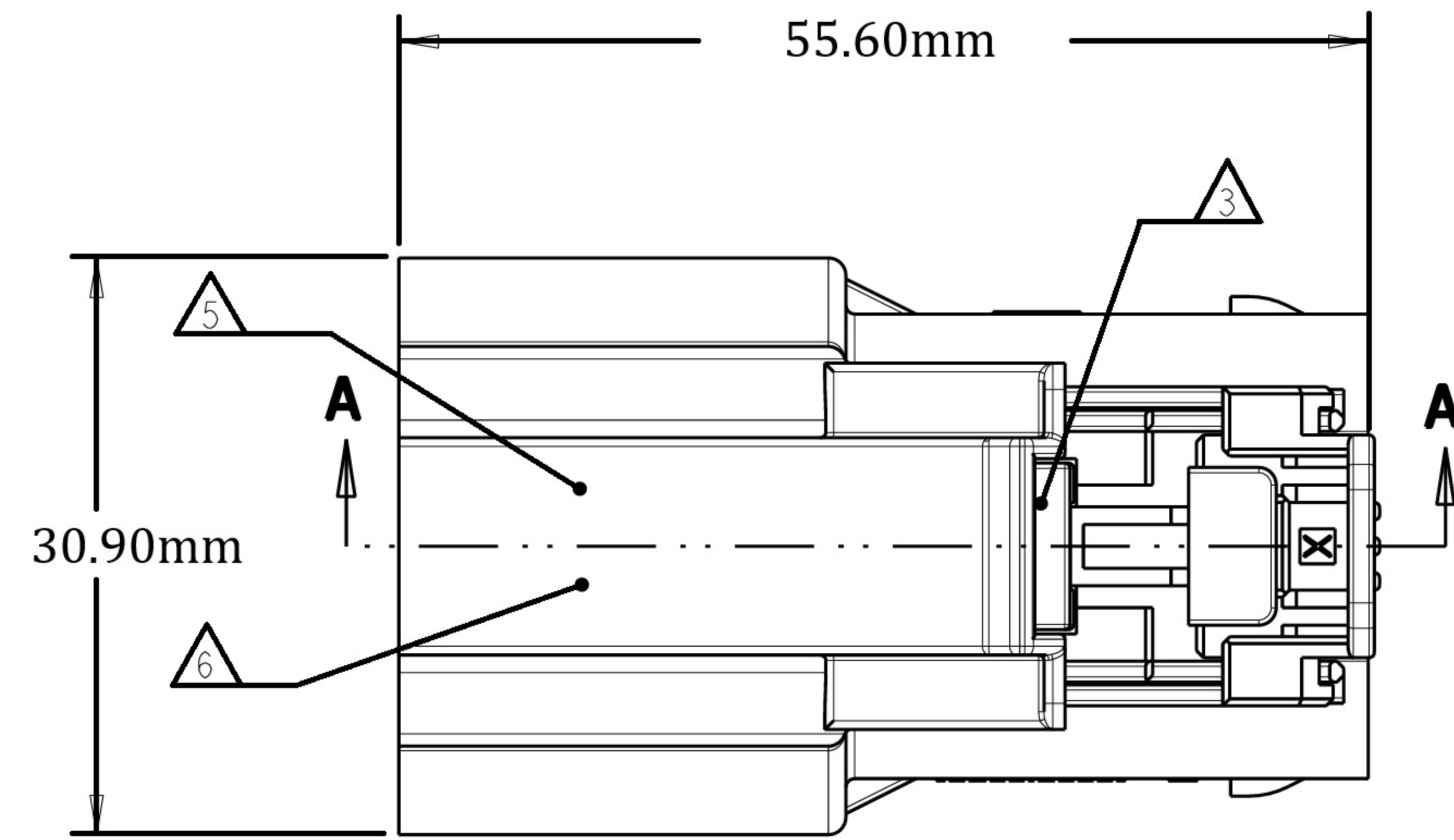
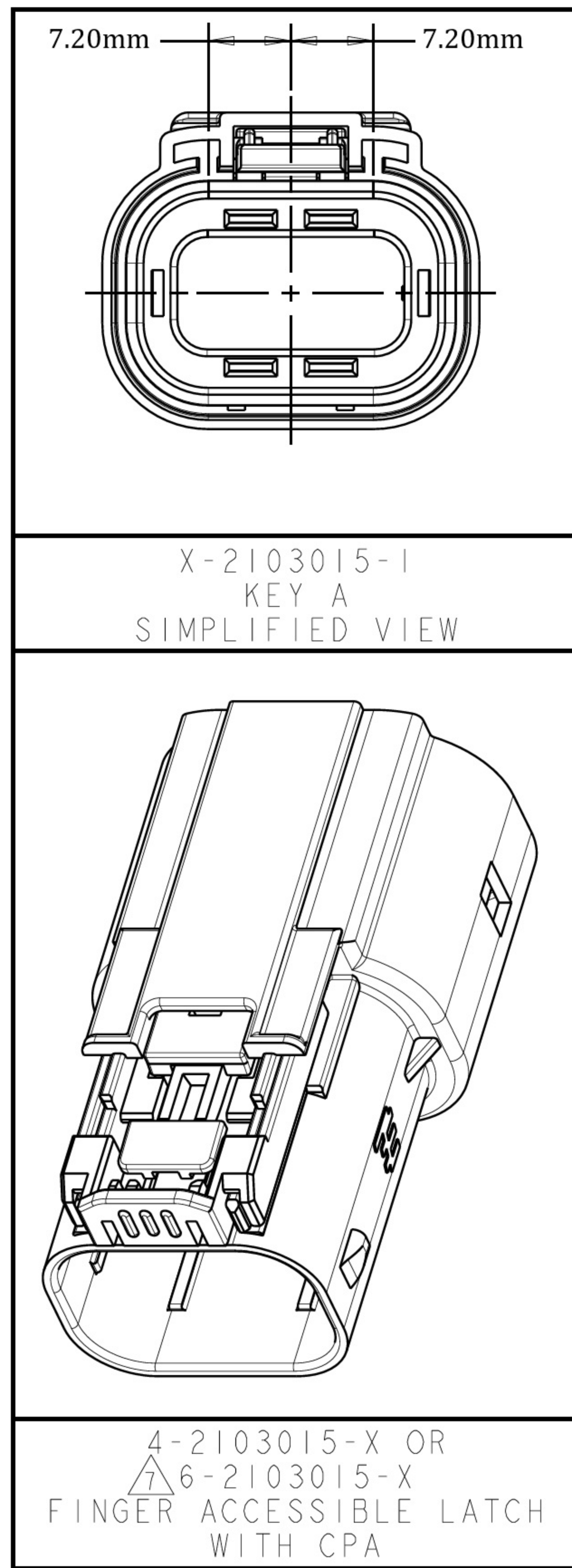
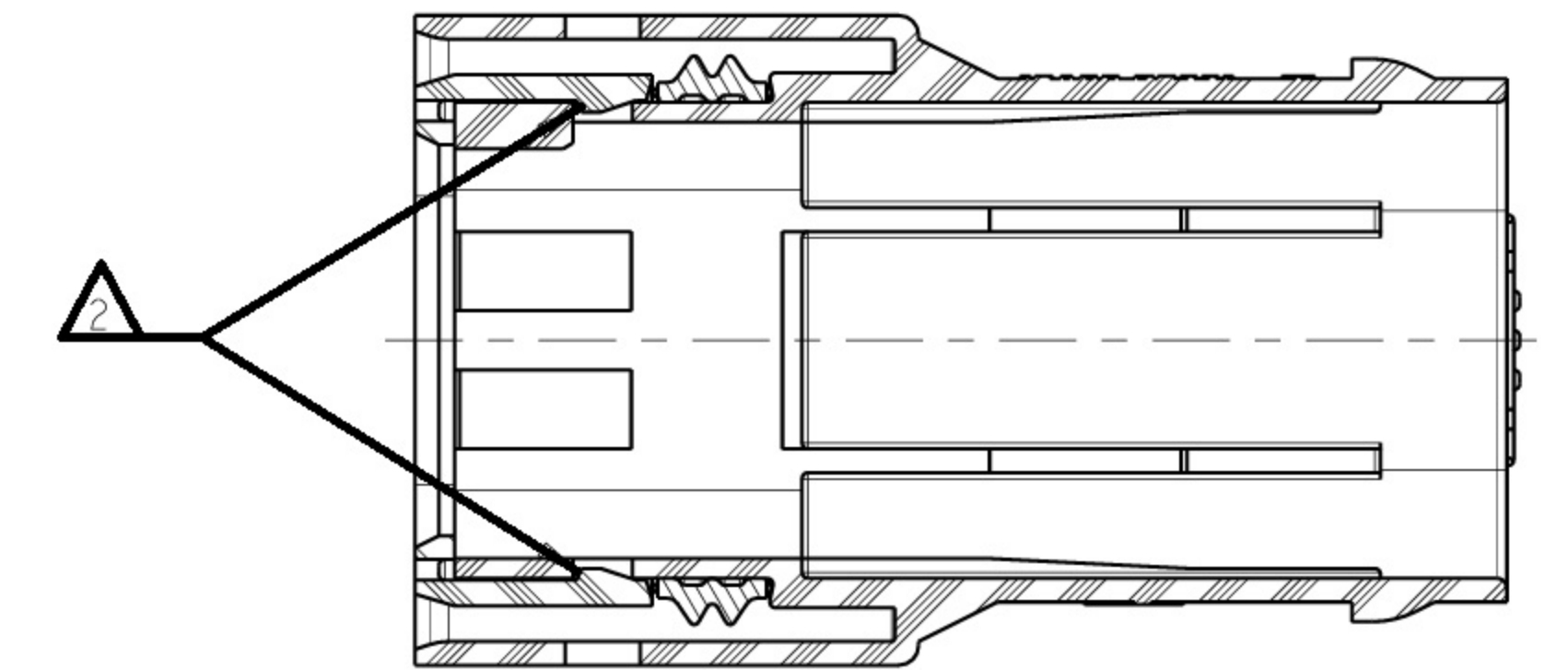


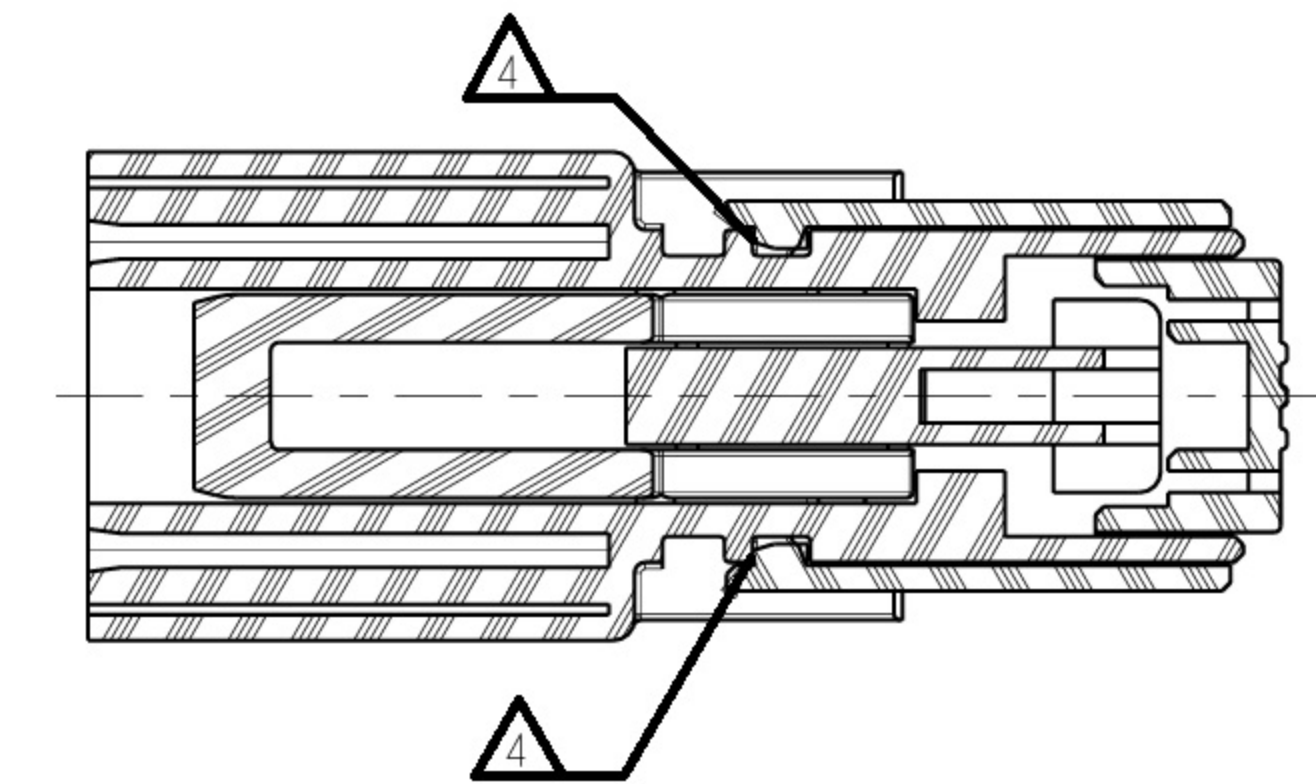
DIMENSIONS



SECTION A-A



SECTION B-B



SECTION C-C

- △ PERIPHERAL SEAL RETAINER MUST BE FULLY LOCKED IN TWO LOCATIONS INTO OUTER HOUSING
- △ FLOATING LATCH MUST INSTALLED AS SHOWN
- △ ON APPLICABLE ASSEMBLIES CPA MUST INSTALLED IN PRE-STAGE POSITION AS SHOWN
- △ JULIAN DATE CODE IN THIS LOCATION AT ASSEMBLY
- △ TE PART NUMBER IN THIS LOCATION AT ASSEMBLY
- △ PRELIMINARY PART—NOT RELEASED FOR PRODUCTION