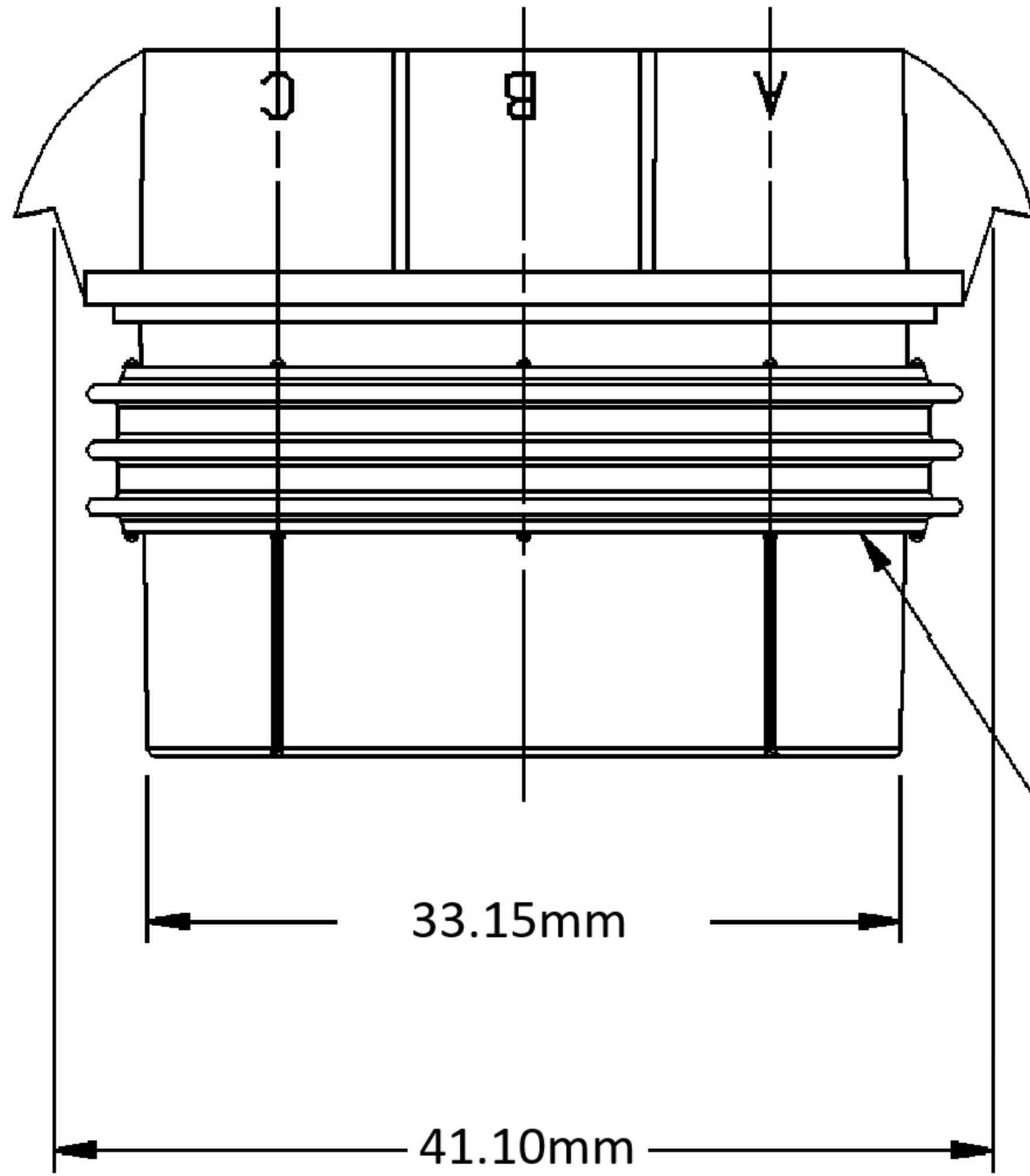
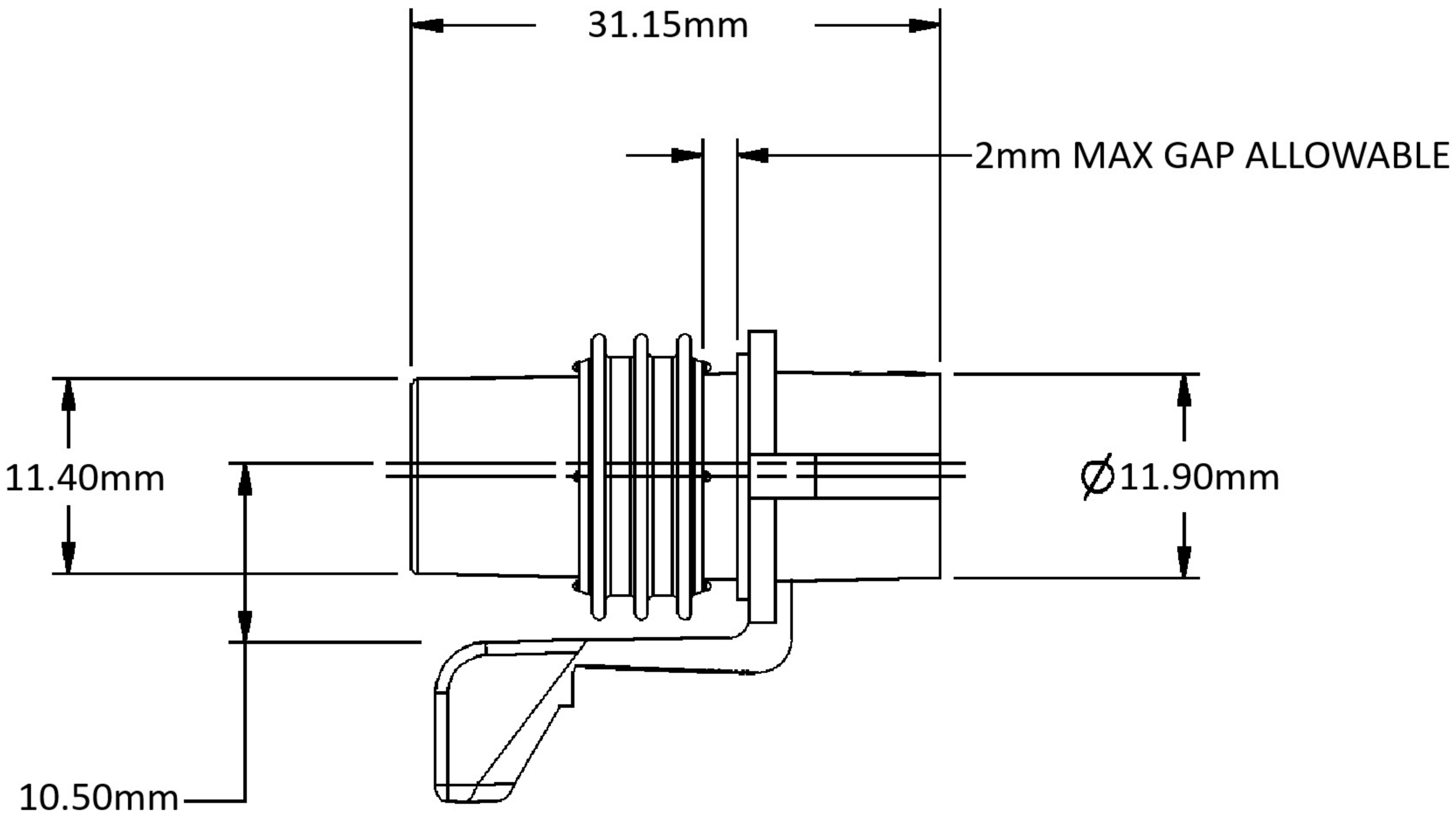


DIMENSIONS



4.10mm NEWTONS
MINIMUM
RETENTION



9.5 MIN PERMISSIBLE
DUE TO BOW

