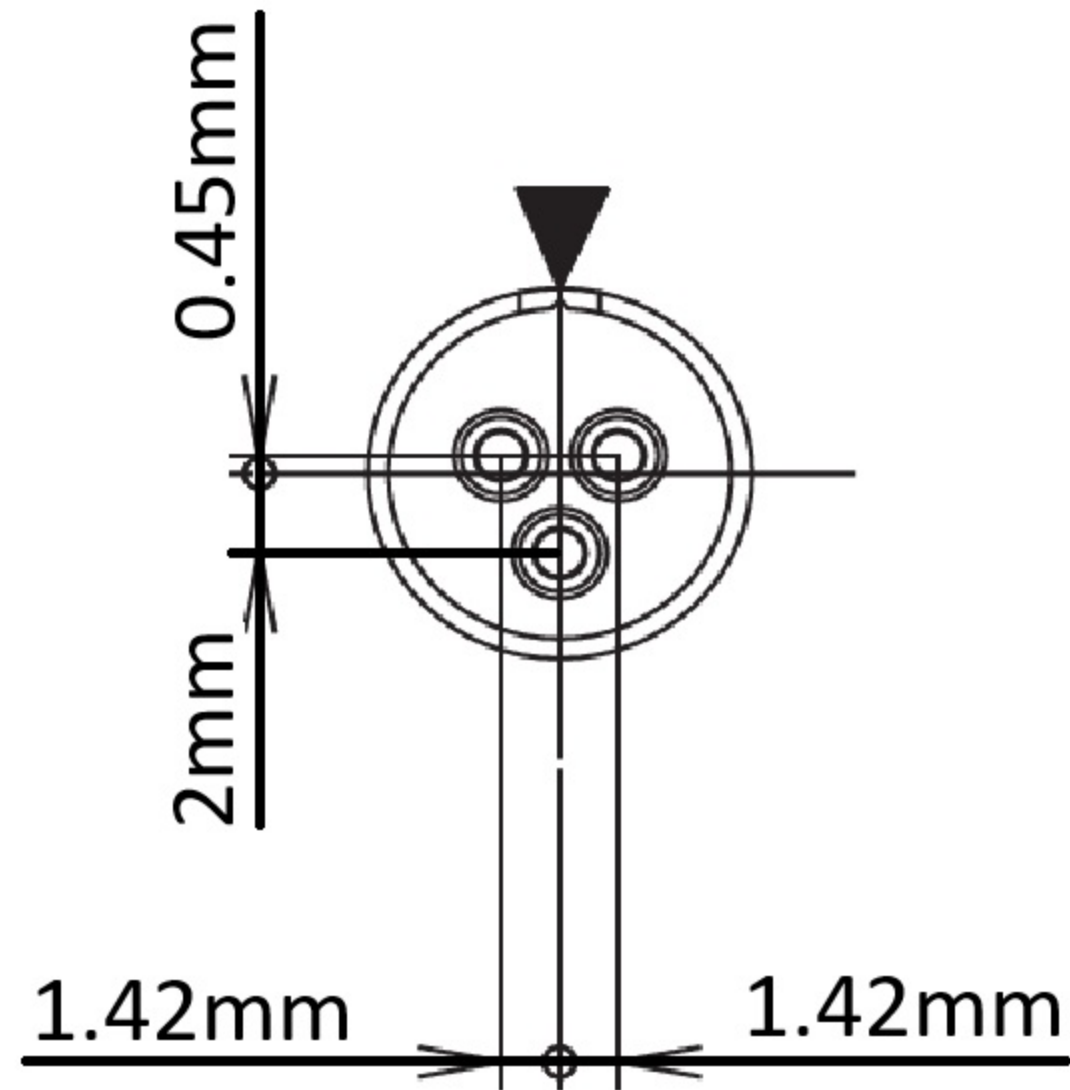
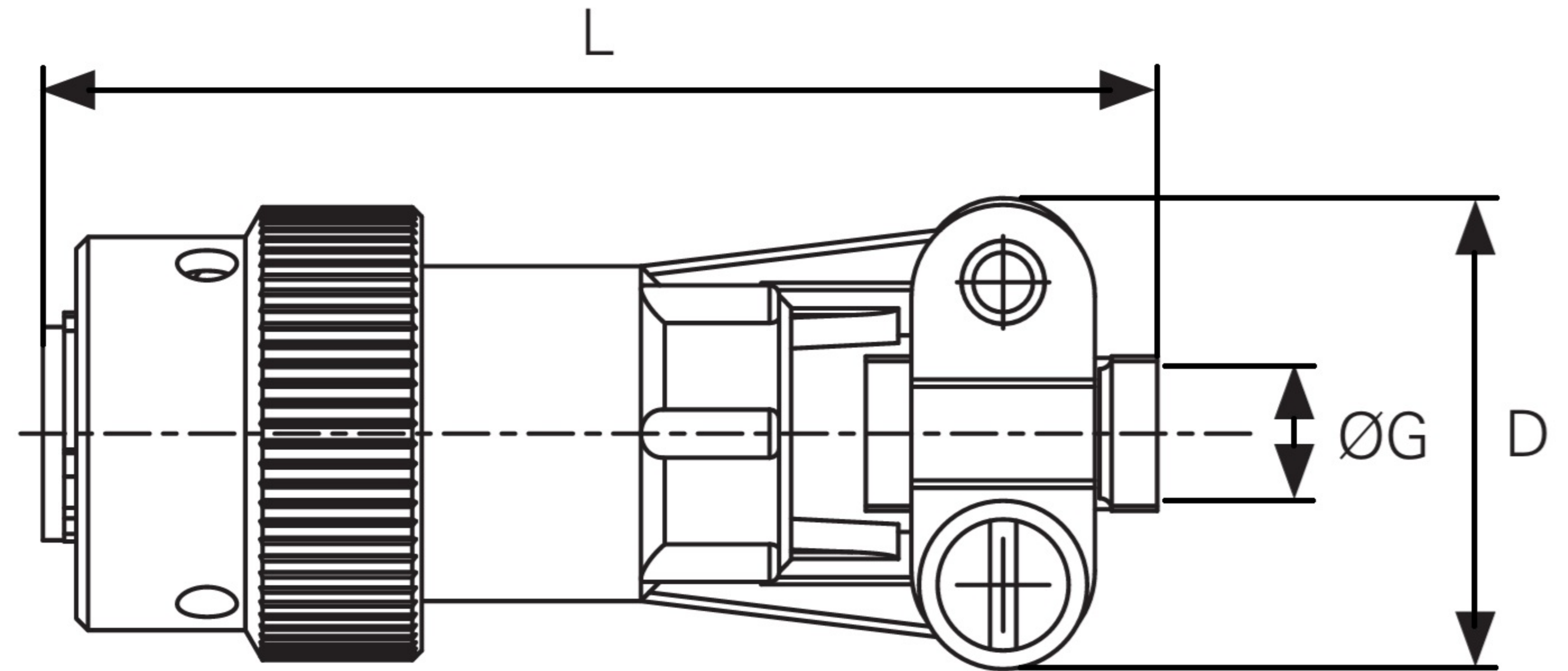
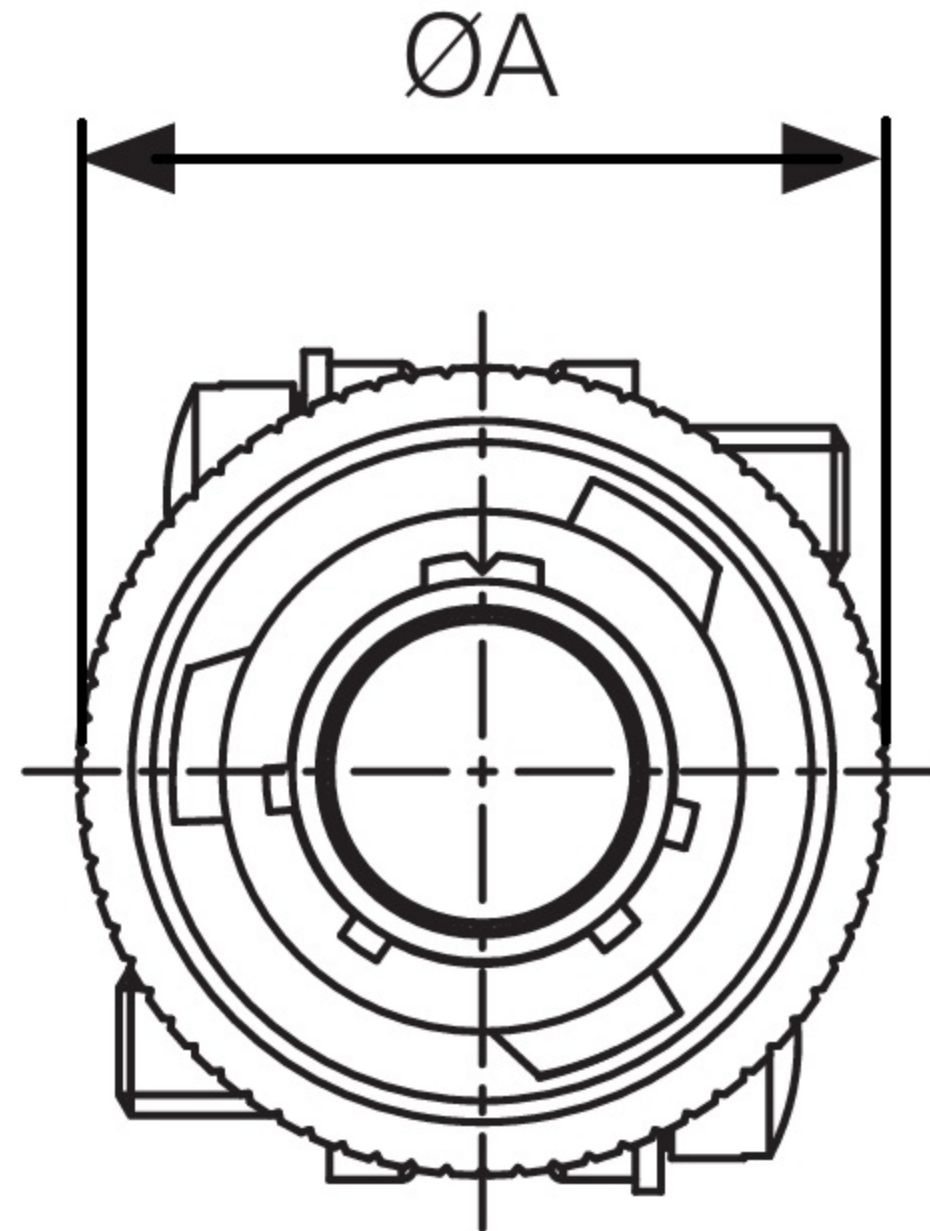


DIMENSIONS



Shell Size	L max solder	Crimp	$\varnothing A$	D max	$\varnothing G$ max
8	48mm	47.30mm	19.05mm	19.90mm	3.50mm