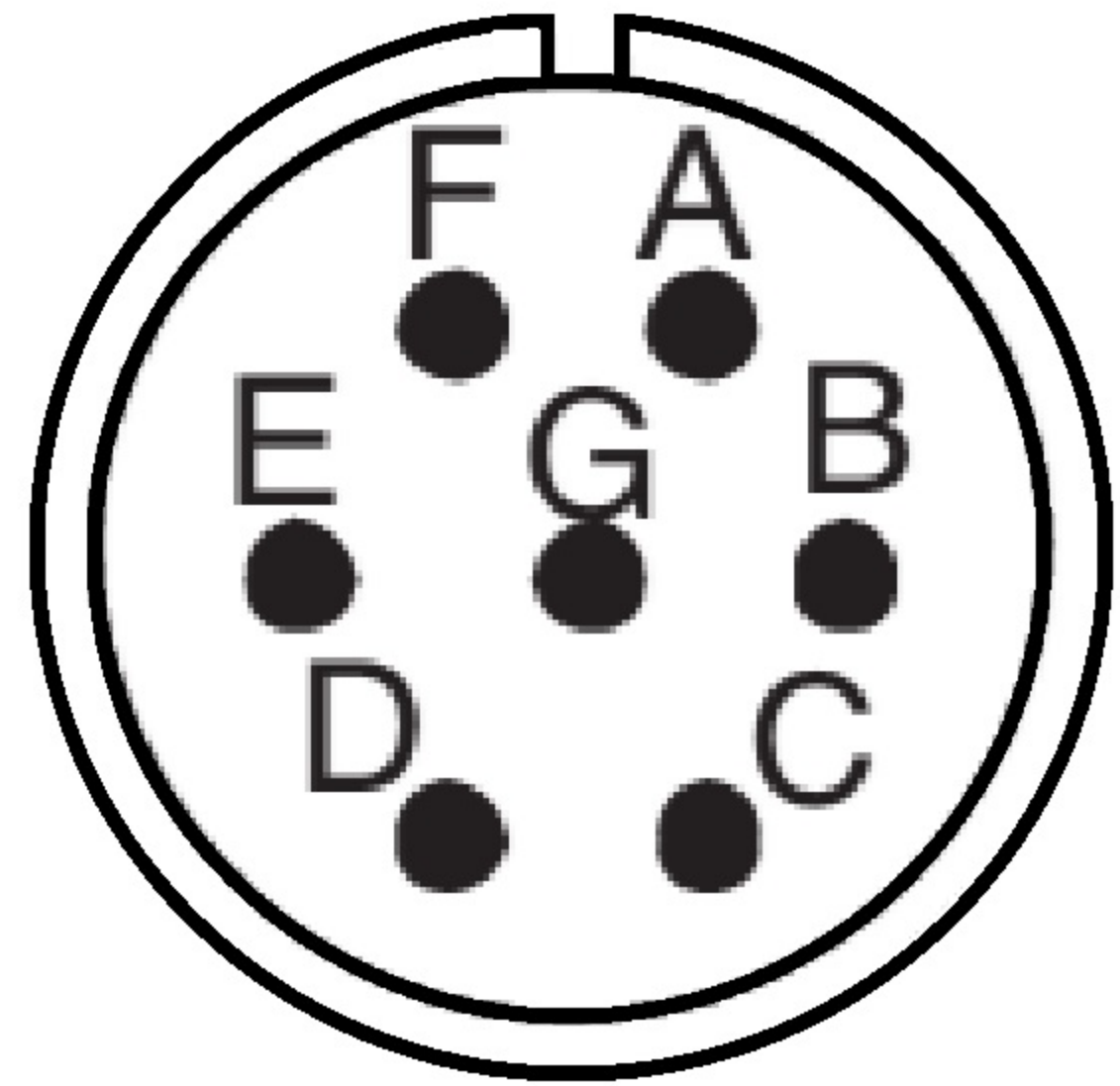
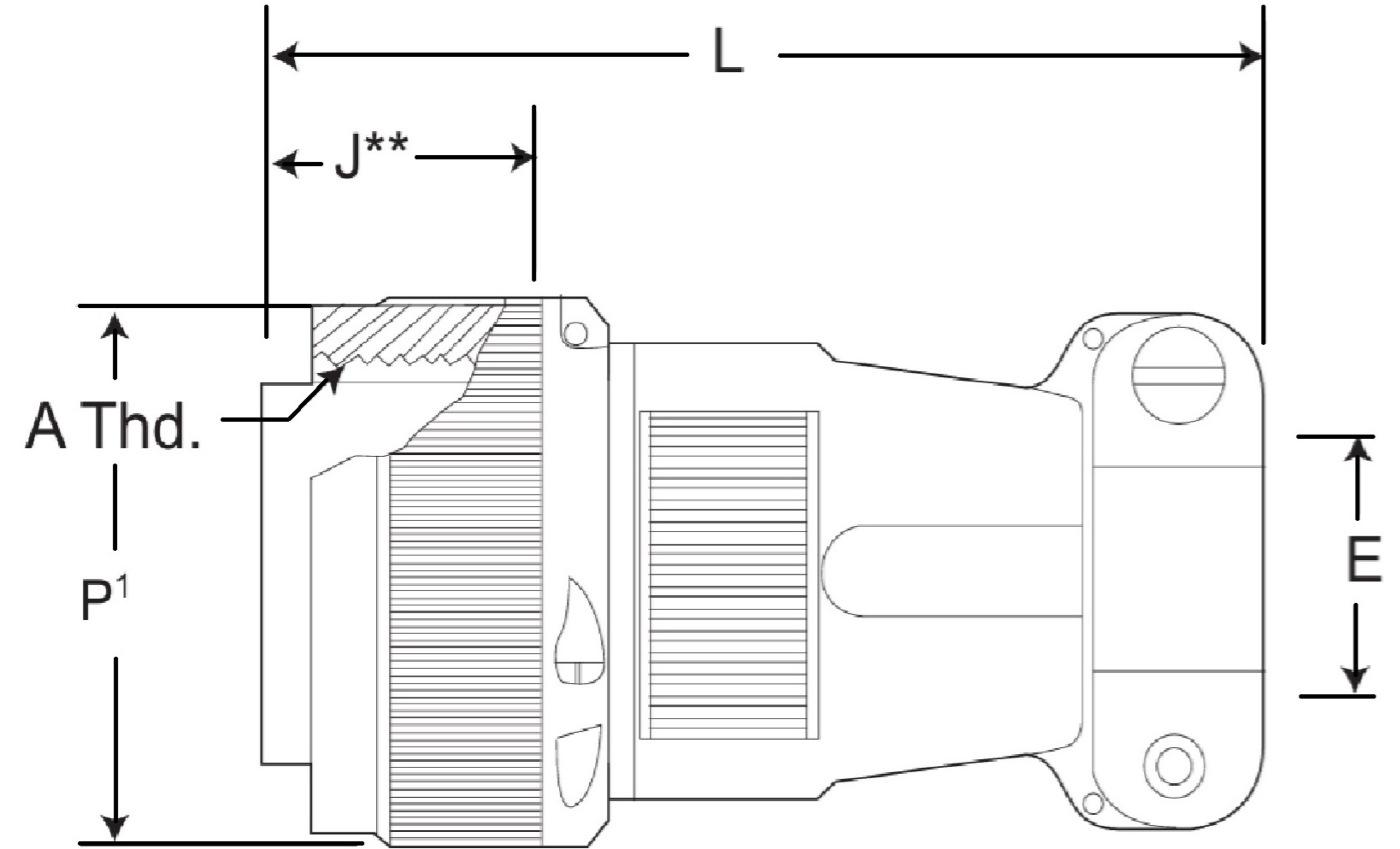
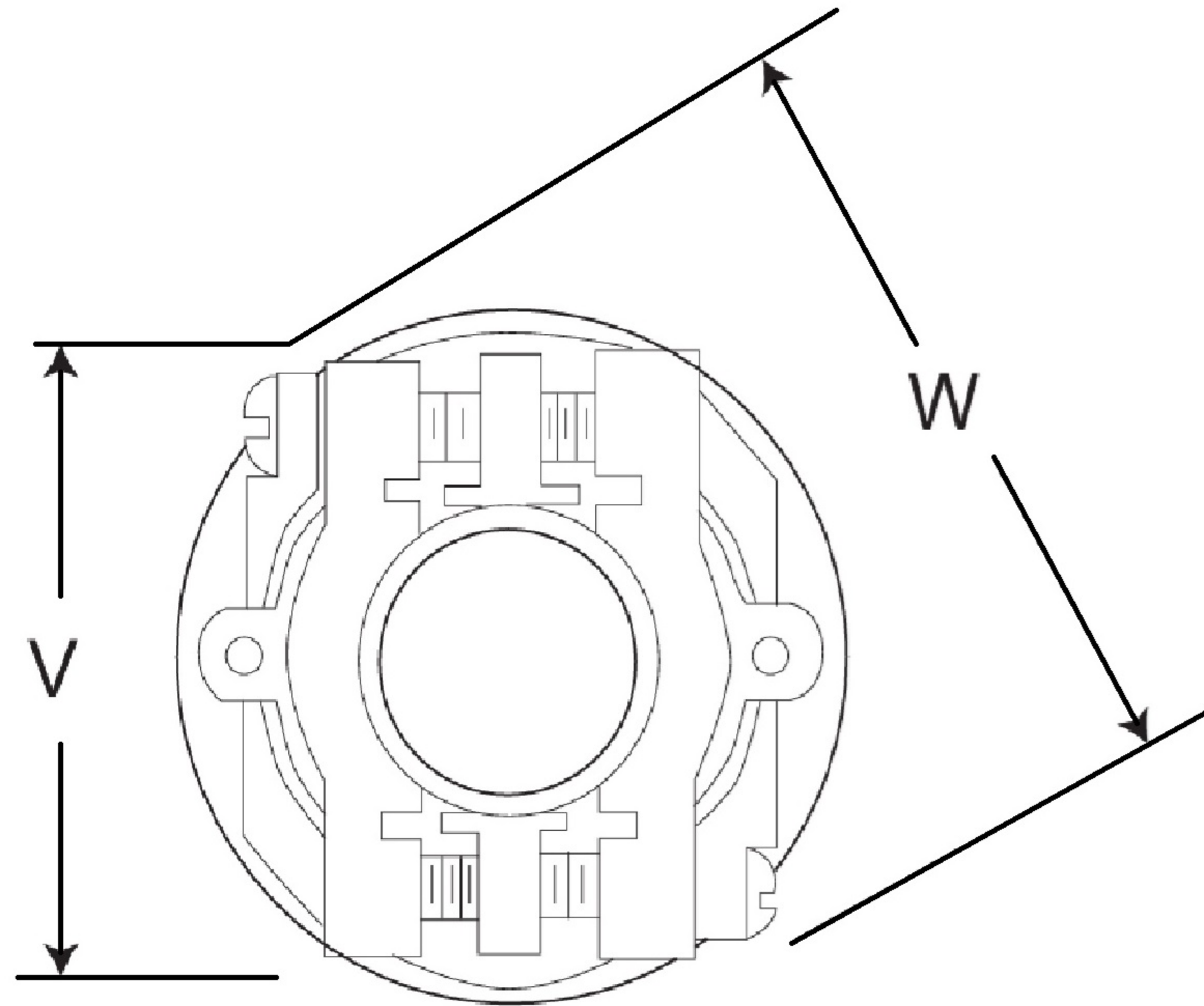


# DIMENSIONS



LAYOUT - 16S-1\*  
 # OF CONTACTS - 7-#16  
 SERIES - ▼ ●  
 SERVICE RATING - A



Shell Size	E Max.	J** Max.	L Max.	L <sup>1</sup> Max.	N Max.	P <sup>1</sup> Max.	V Max.	W Max.
16S	13.89mm	13.61mm	57.15mm	46.69mm	31.75mm	31.75mm	30.48mm	37.69mm