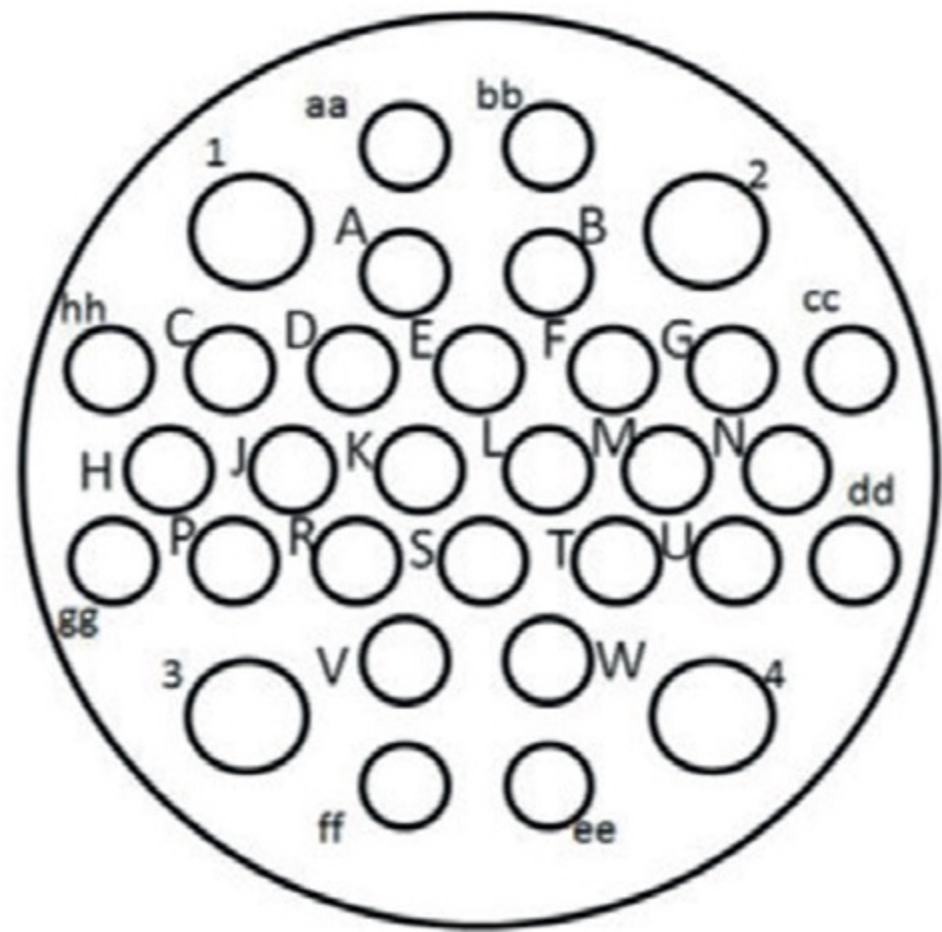
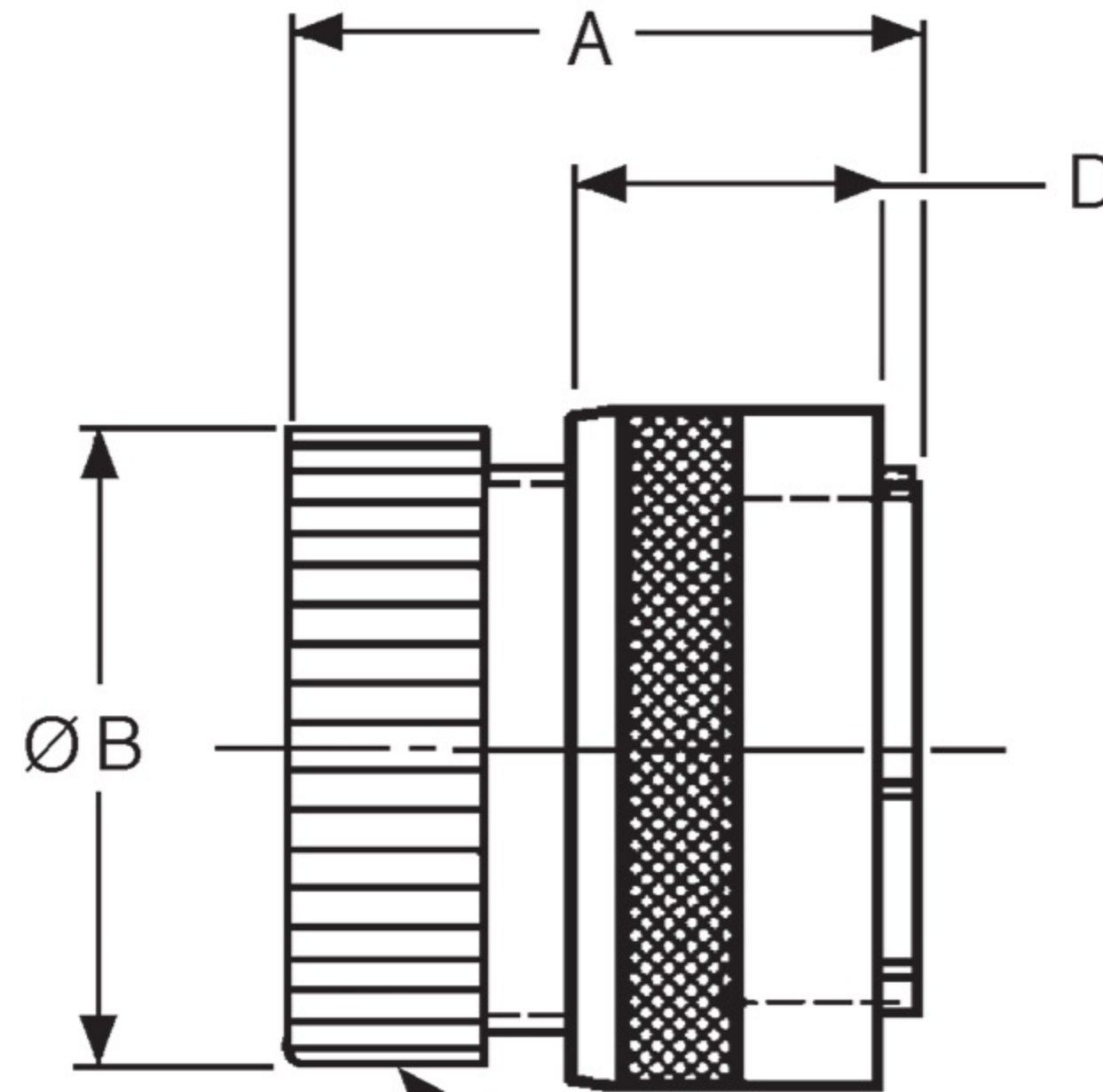


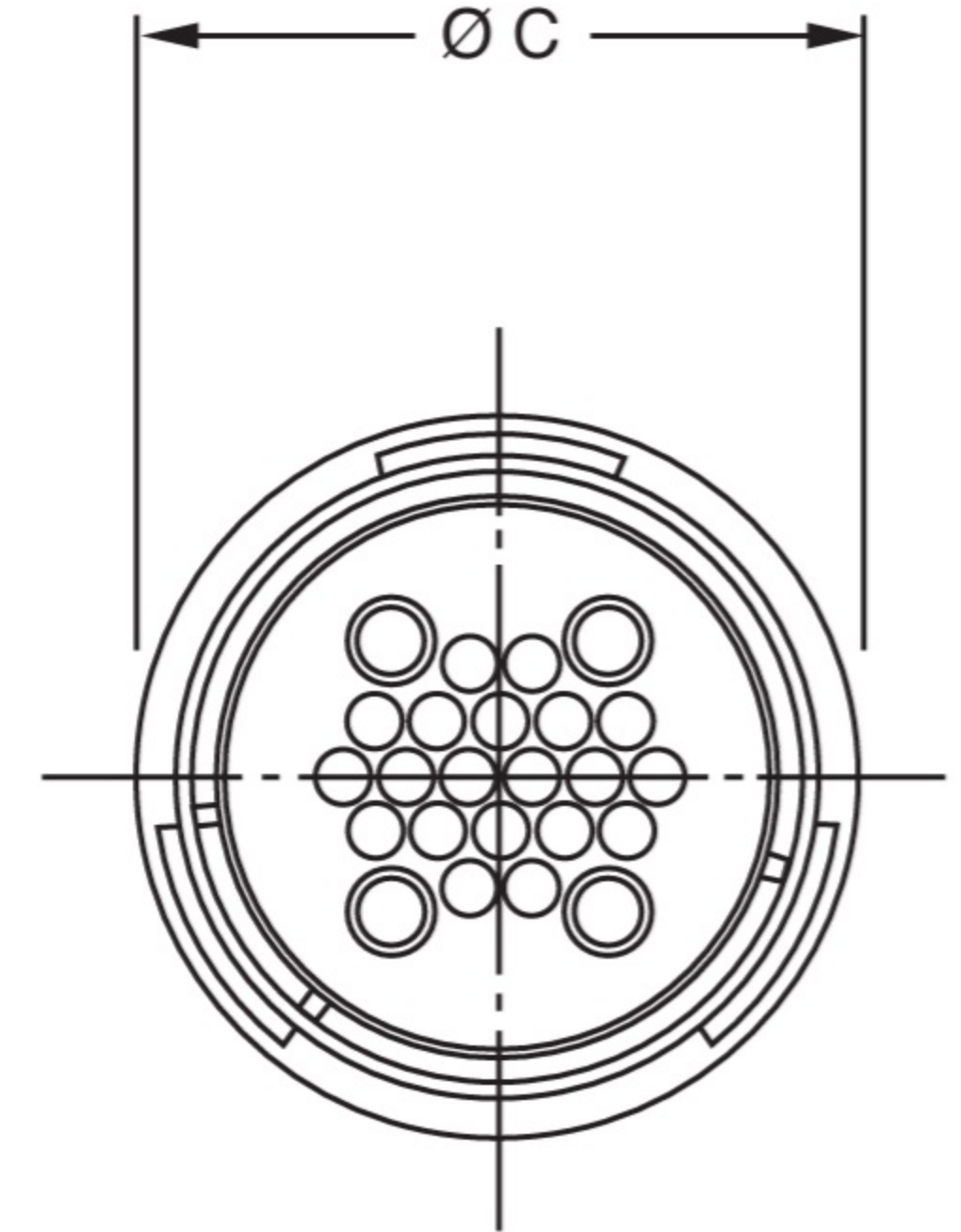
DIMENSIONS



Shell Size 24
4 Power
28 Signal



WIRE SEAL &
SECURING NUT



Shell Size	Contact Layout		Part Number	A	ØB	ØC	D
	Power Contacts	Signal Contacts					
24	04	28	192900-0015	39.80mm	40.50mm	44mm	14.72mm