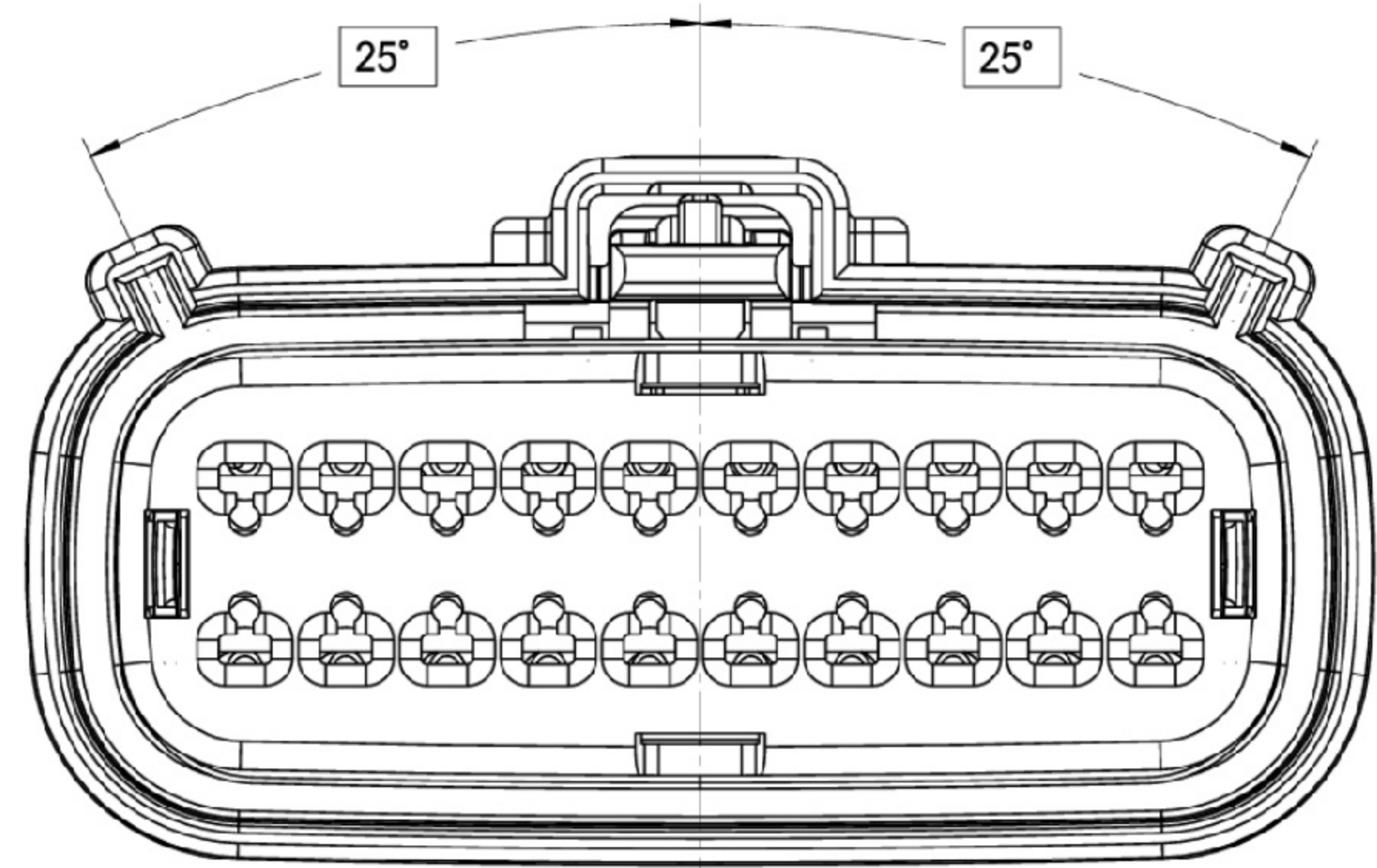
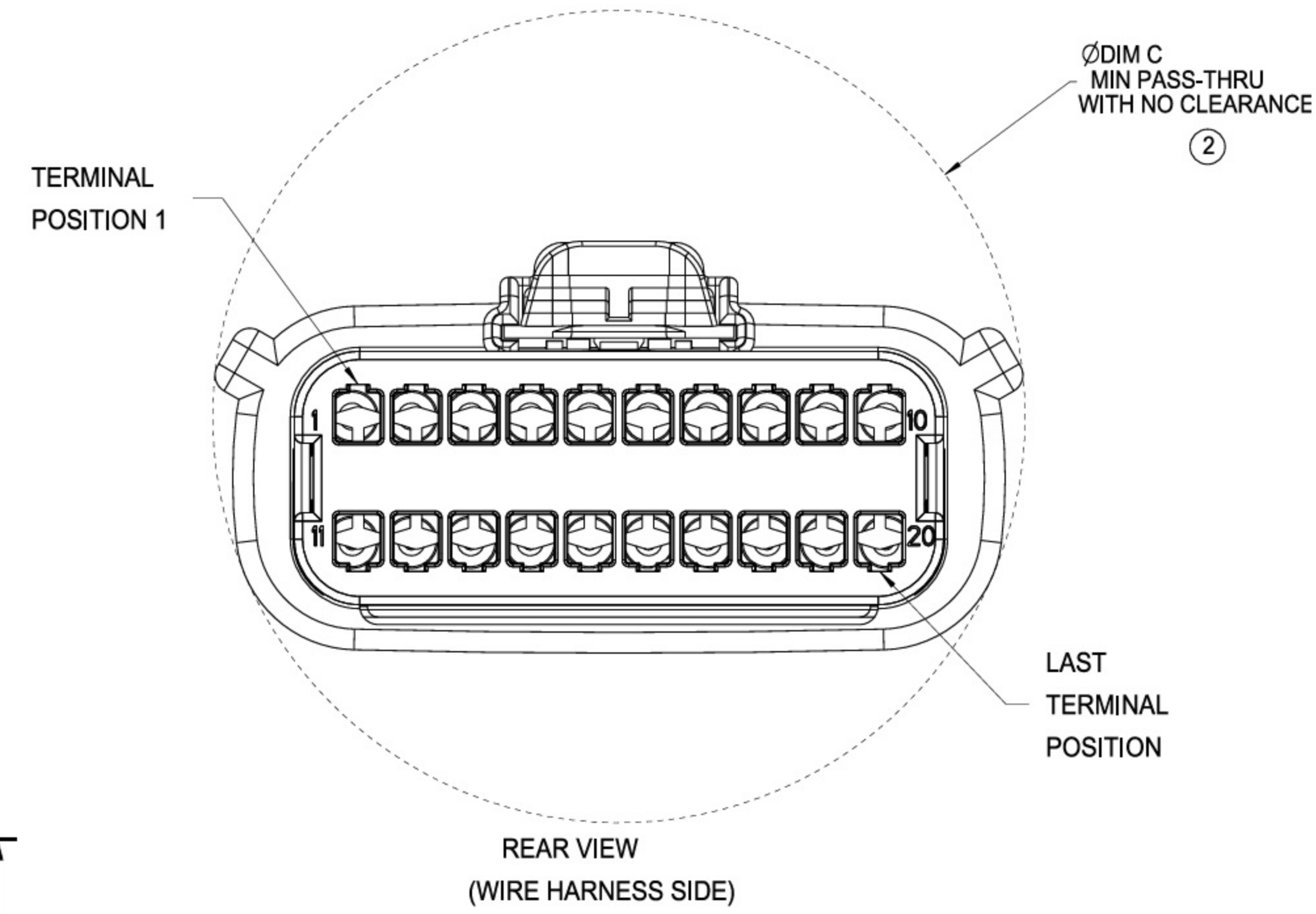


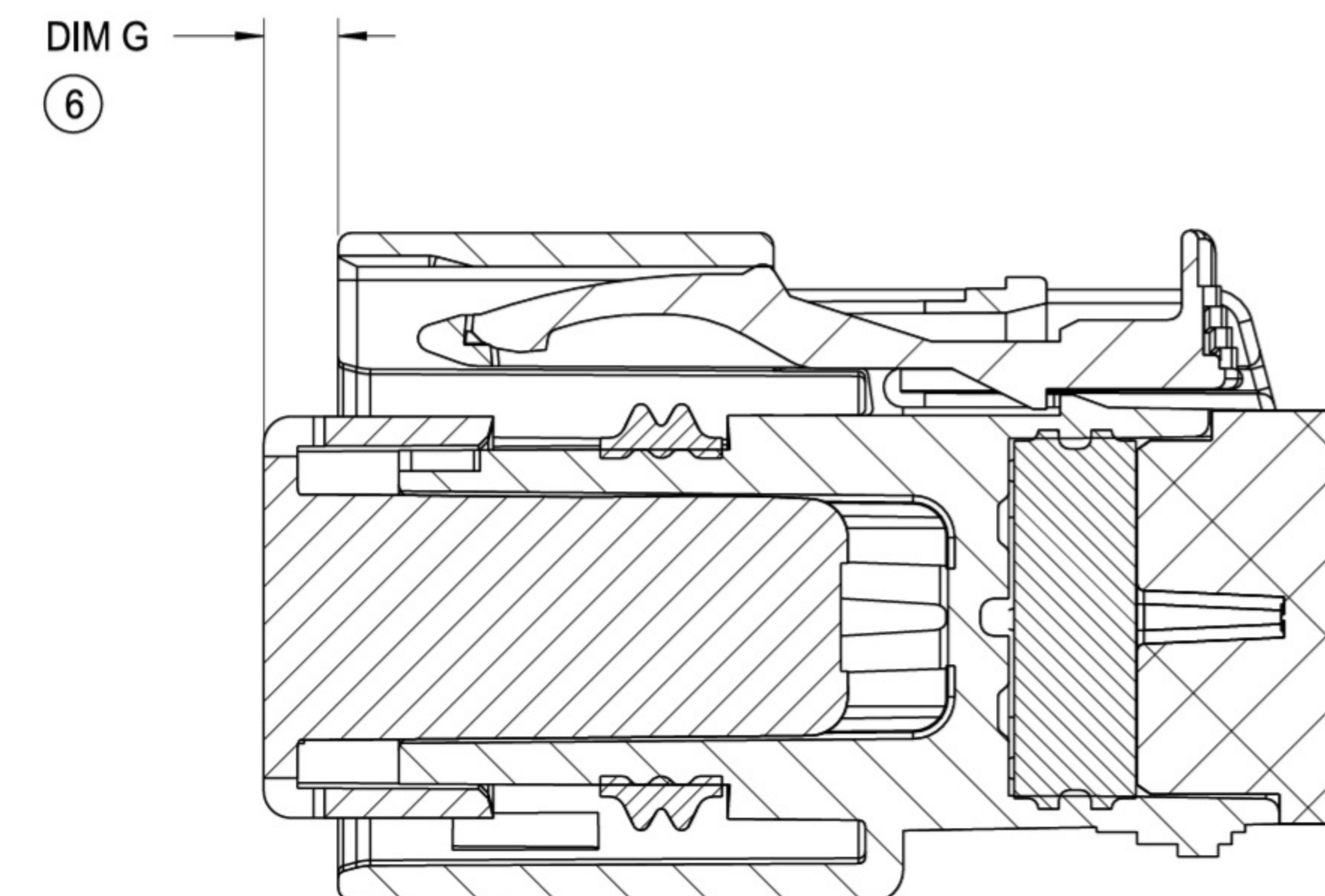
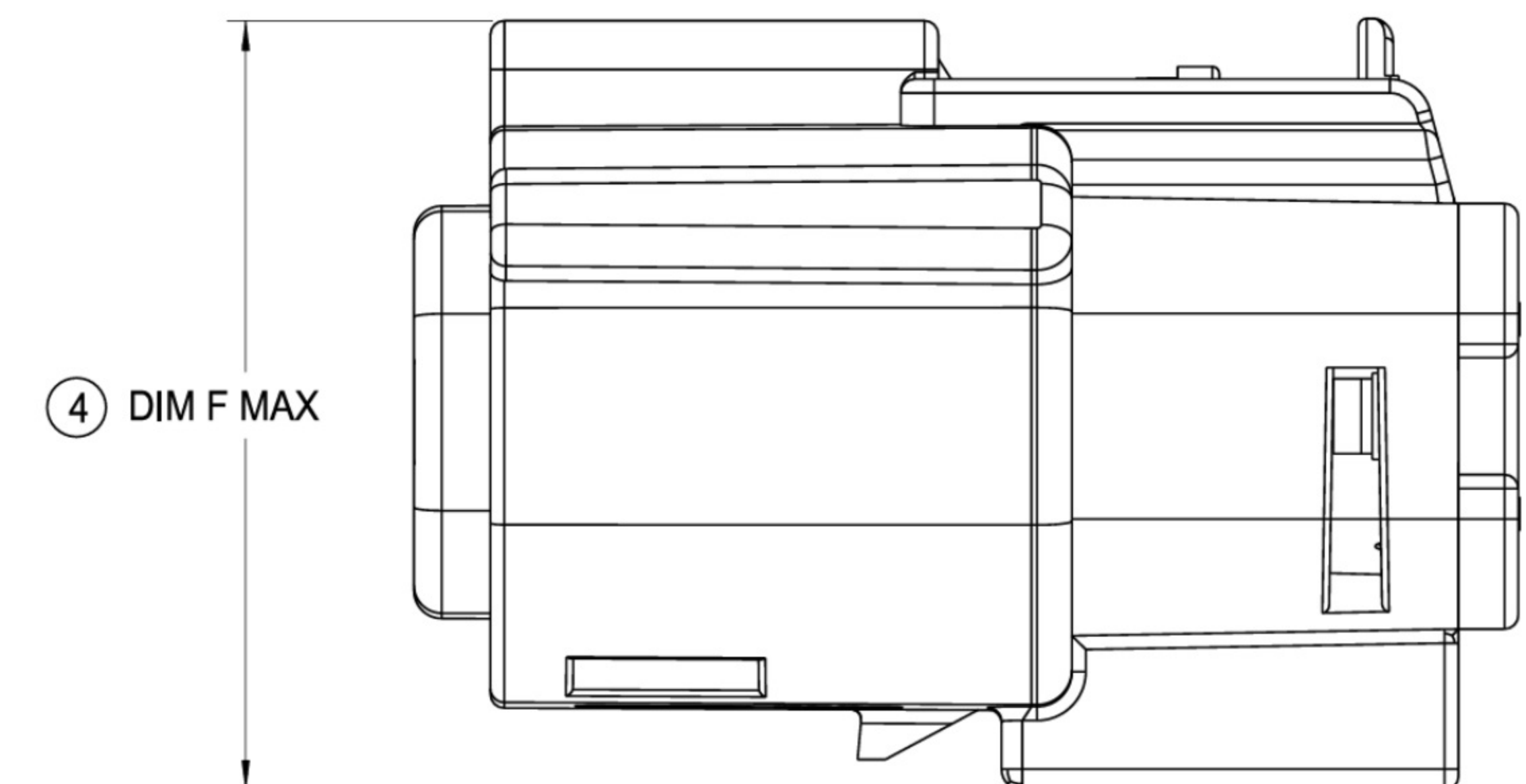
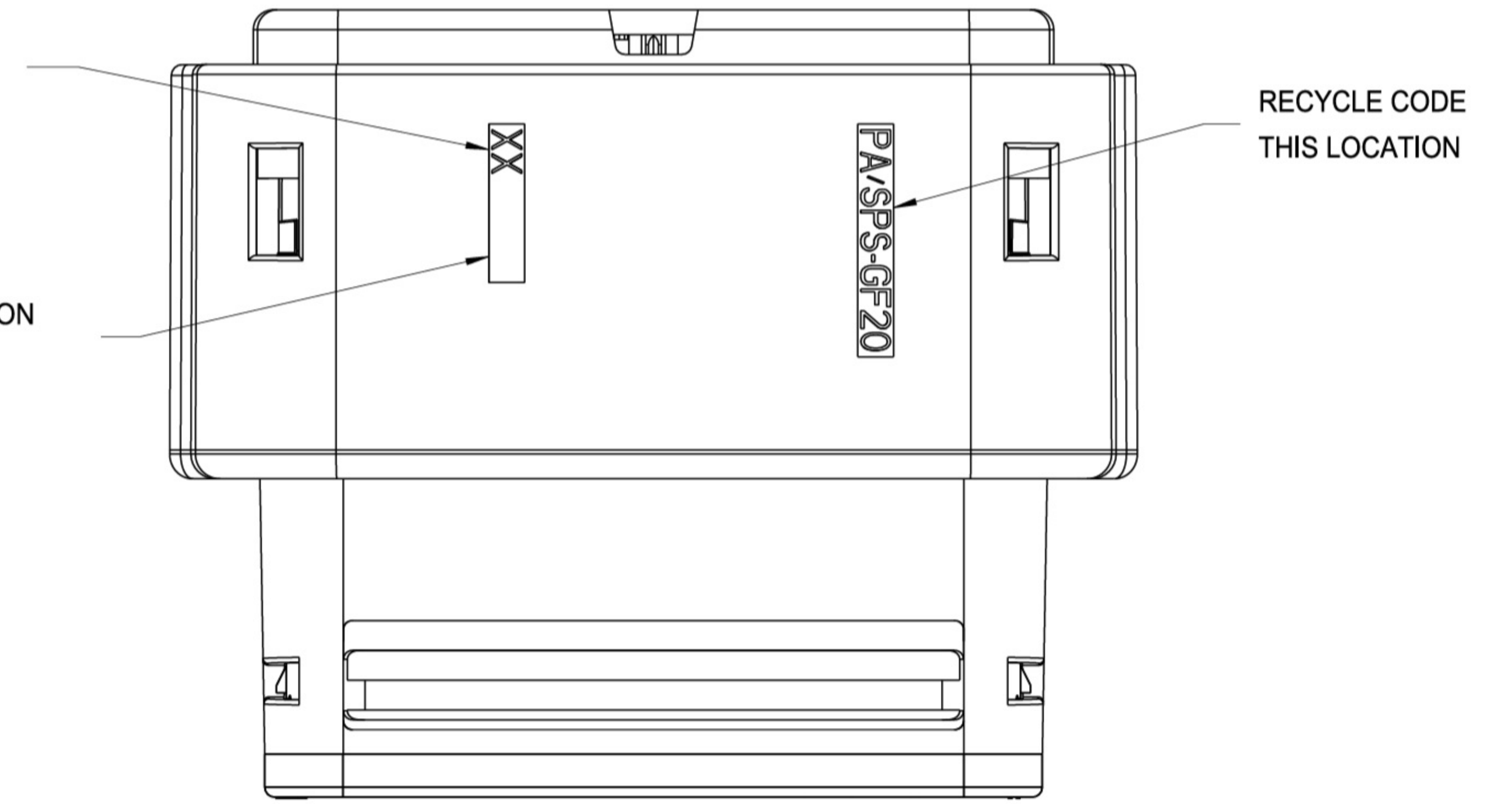
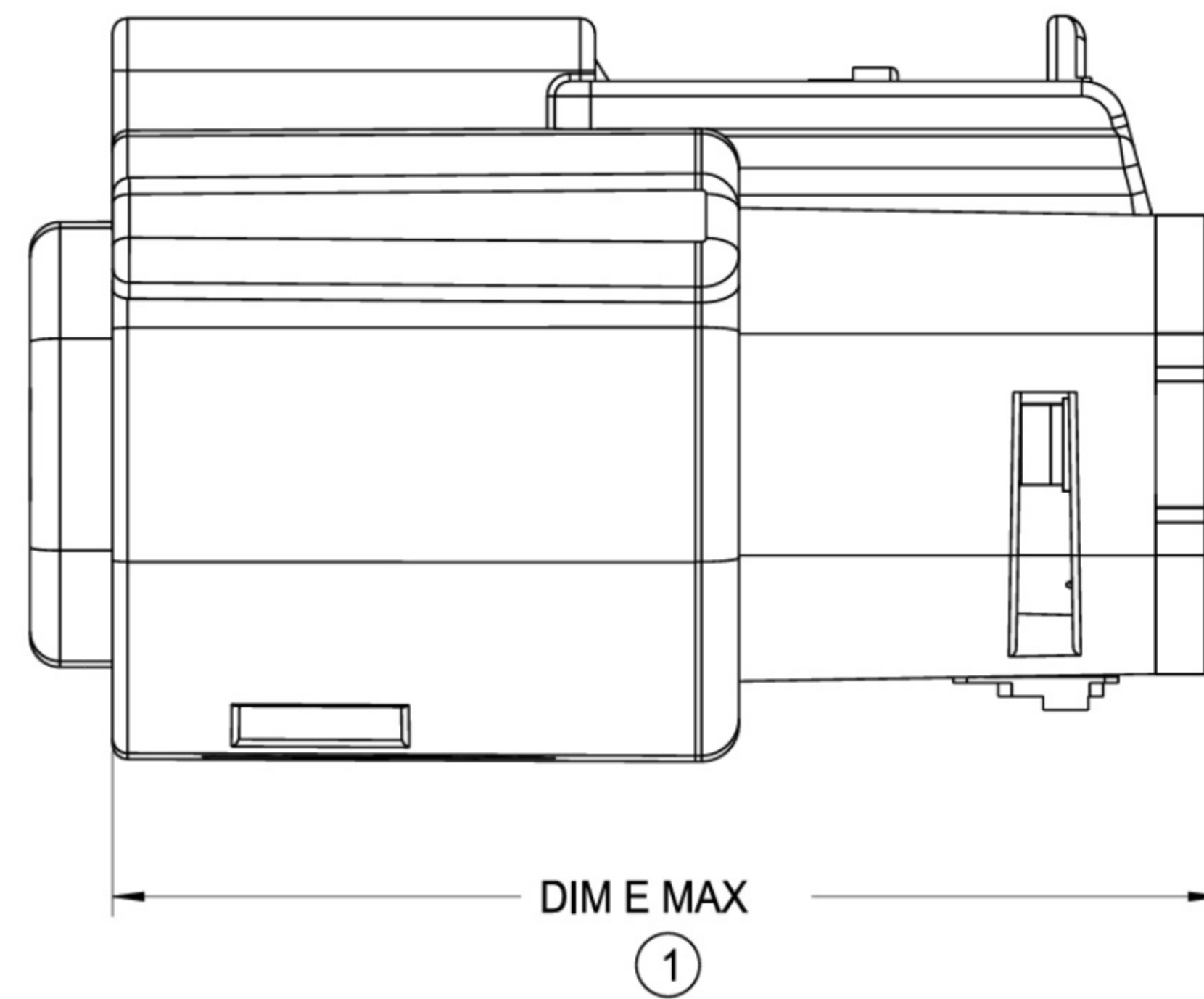
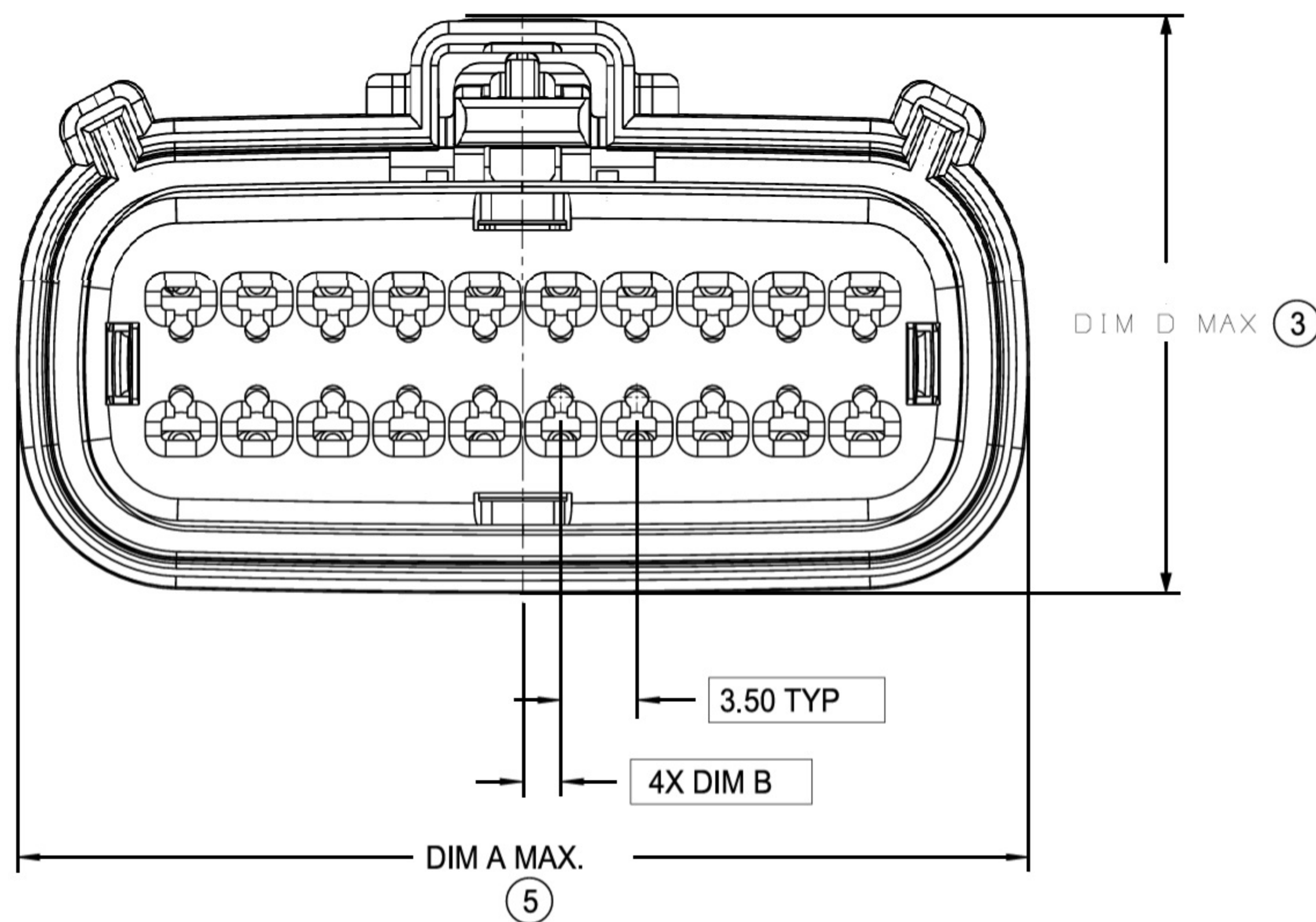
DIMENSIONS



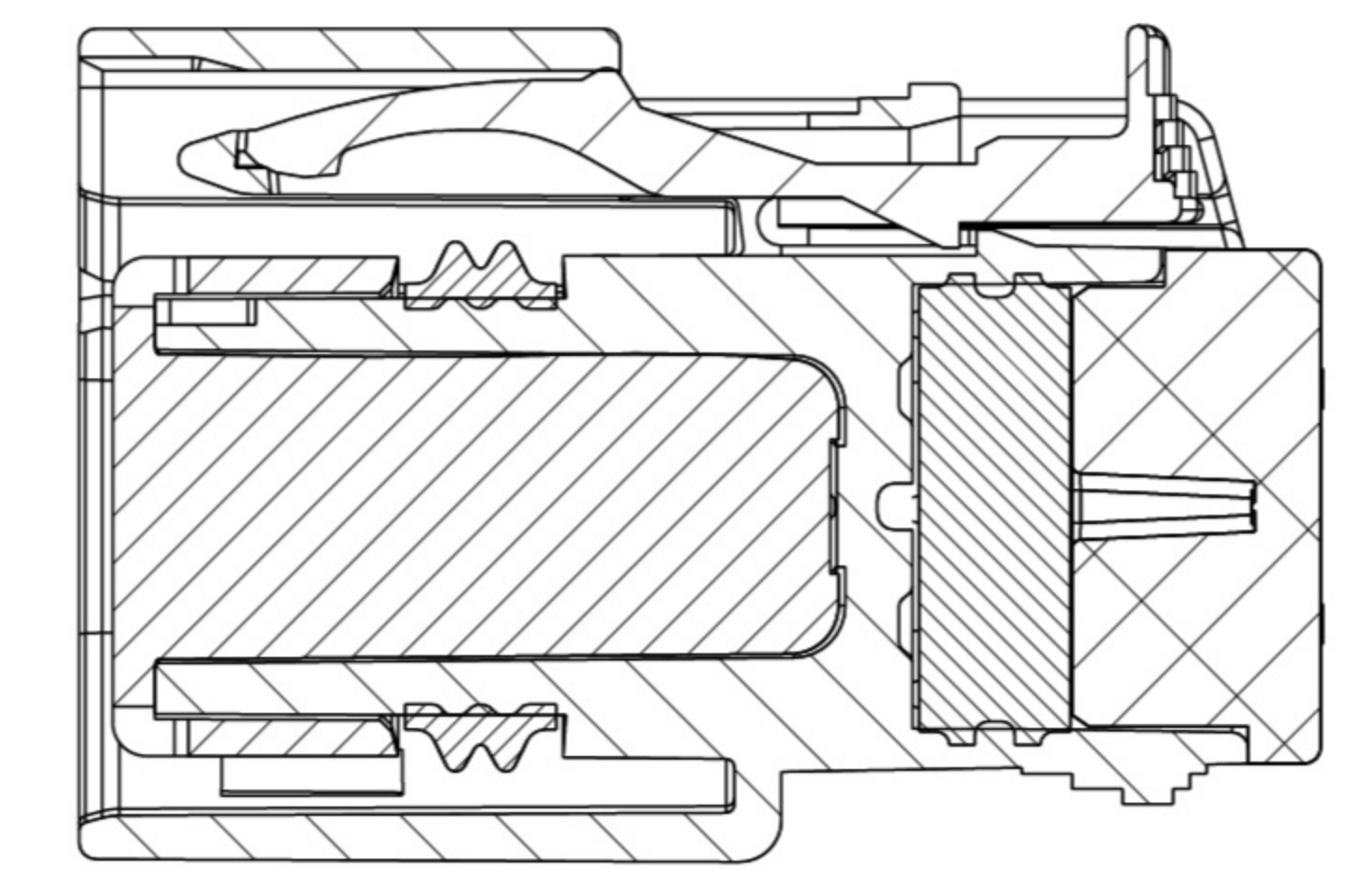
KEY D



REAR VIEW
(WIRE HARNESS SIDE)



PRIMARY LOCK REINFORCEMENT (PLR) SHOWN
IN PRE-STAGED POSITION
SECTION Y-Y



PRIMARY LOCK REINFORCEMENT (PLR) SHOWN
IN FINAL-LOCK POSITION
SECTION Z-Z

CHARTED DIMENSIONS								
DESCRIPTION	DIMENSIONS							
	A	B	C	D	E	F	G	J
2X10 W/O CLIPSLOT	46.75	1.75	49.95	24.90	37.65	N/A	2.75±0.50	48.04