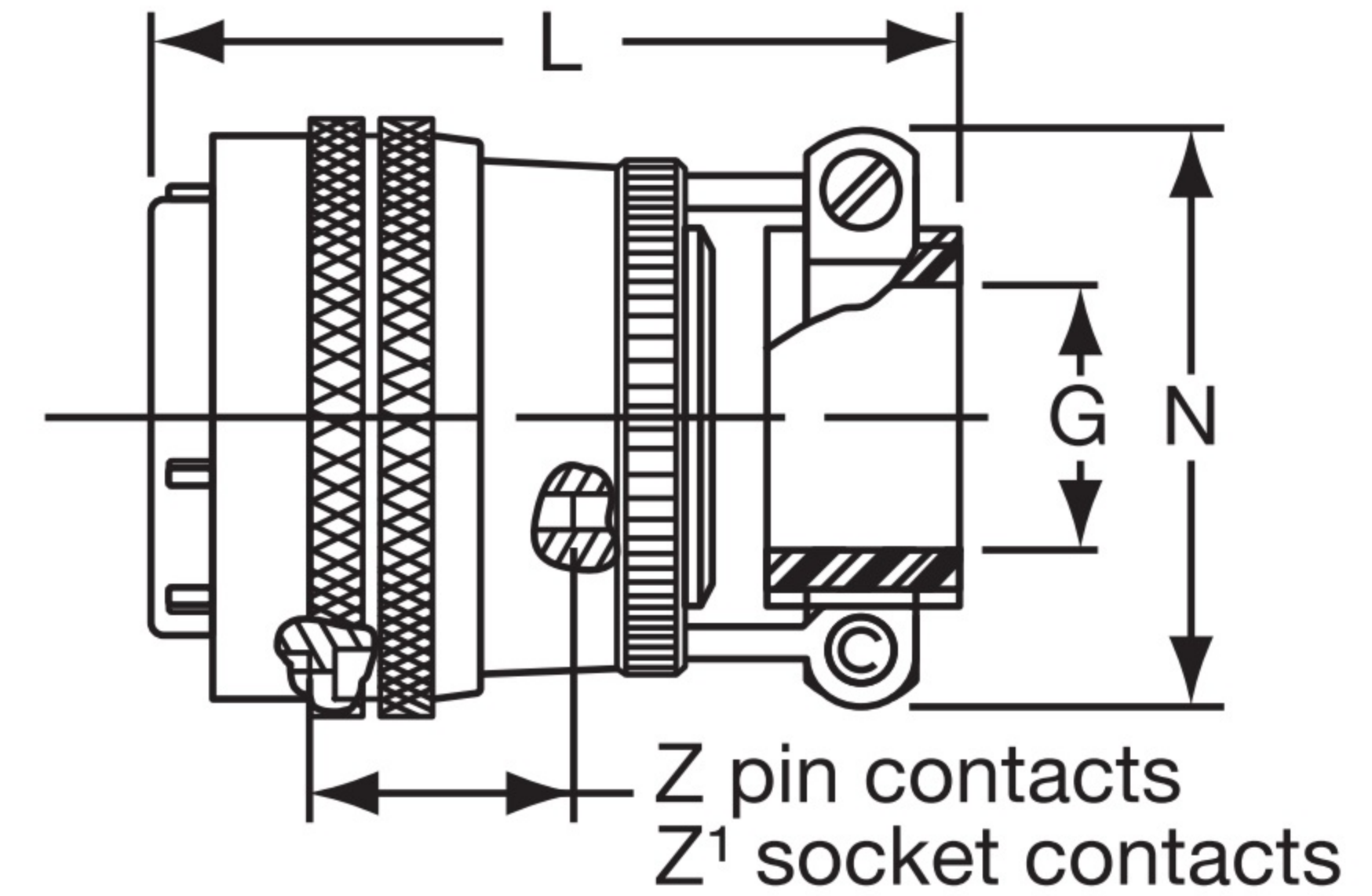
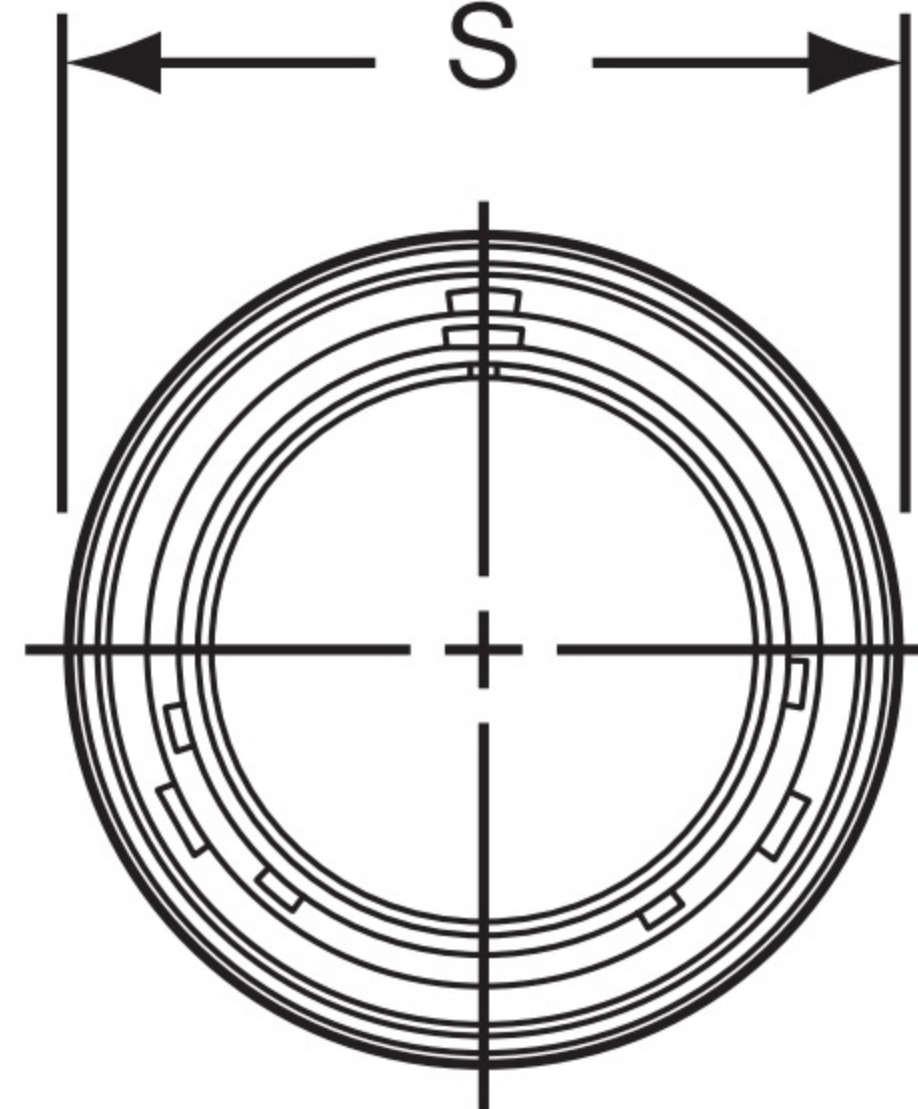
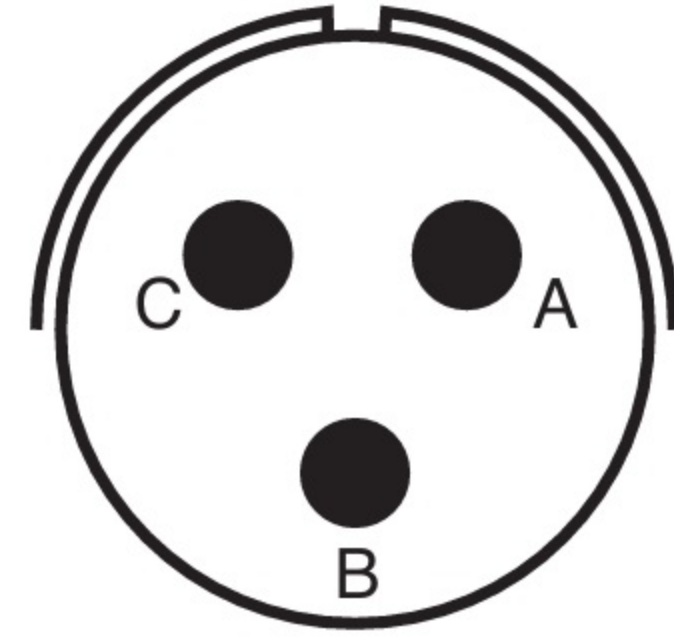


DIMENSIONS



Insert Arrangement	12-3
Service Rating	II
Number of Contacts	3
Contact Size	16

Shell Size	Plug Front View	Plug Side View				
	S Dia. Max.	Z	Z ¹	Class "SE" (SR), MS/"F"		
		± 1.14mm	± 1.14mm	G Dia.	L Max.	N Max.
12	26.18mm	16.25mm	14.70mm	7.92mm	61.29mm	25.80mm