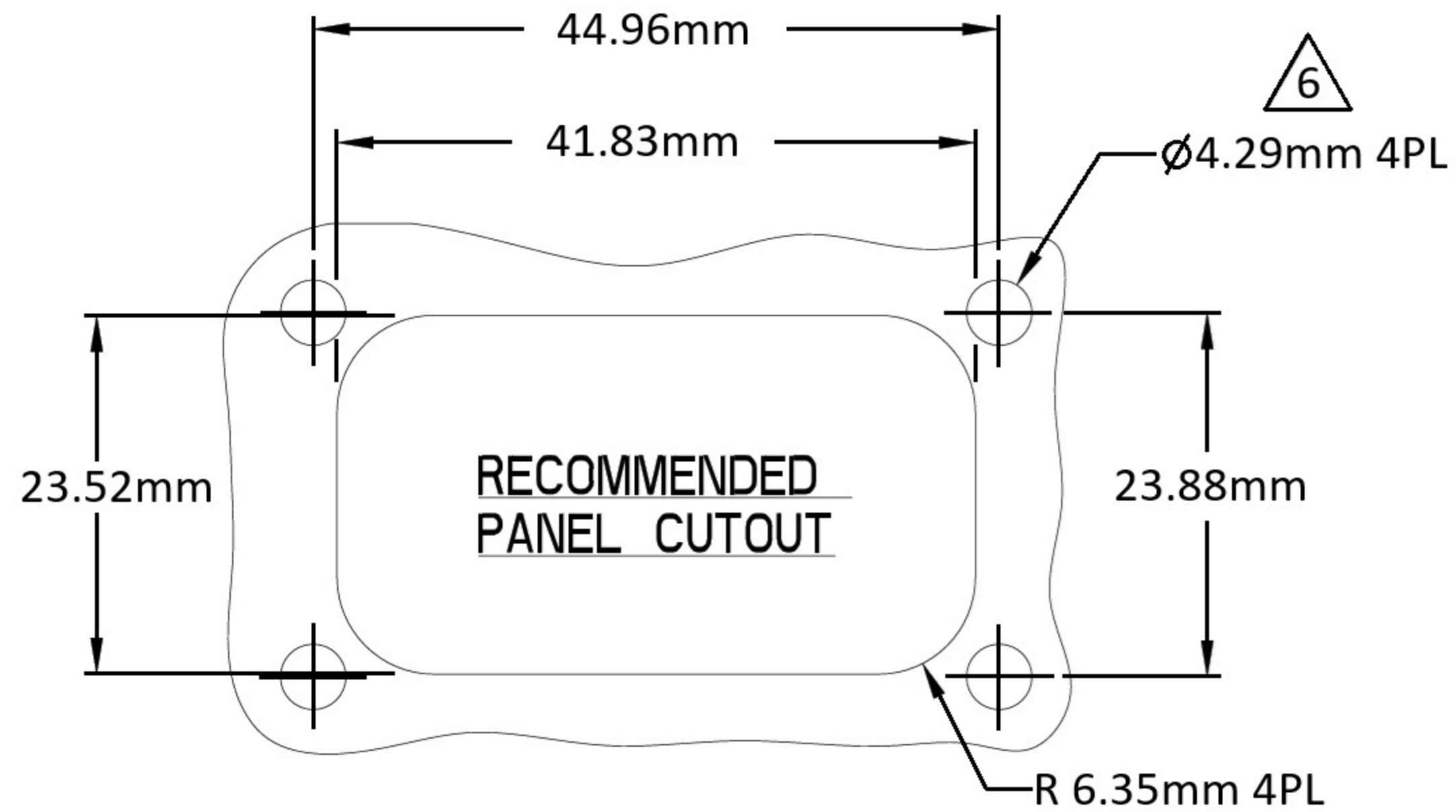


DIMENSIONS



6 RECOMMENDED SCREW: 6-32 [M4]
RECOMMENDED TORQUE: 20 - 25 IN - LB [2.26 - 2.82 Nm]

