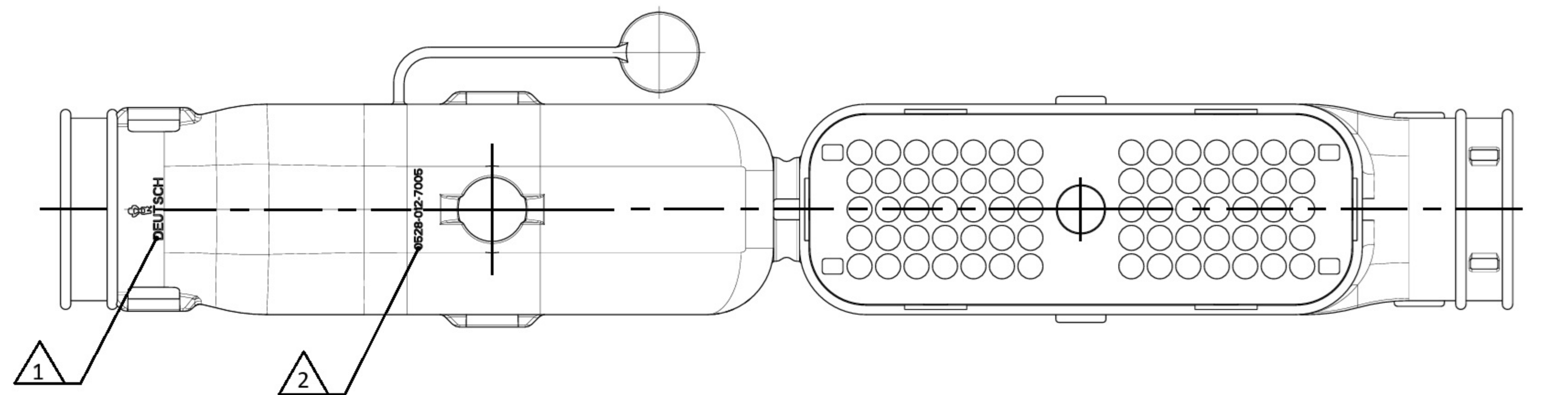
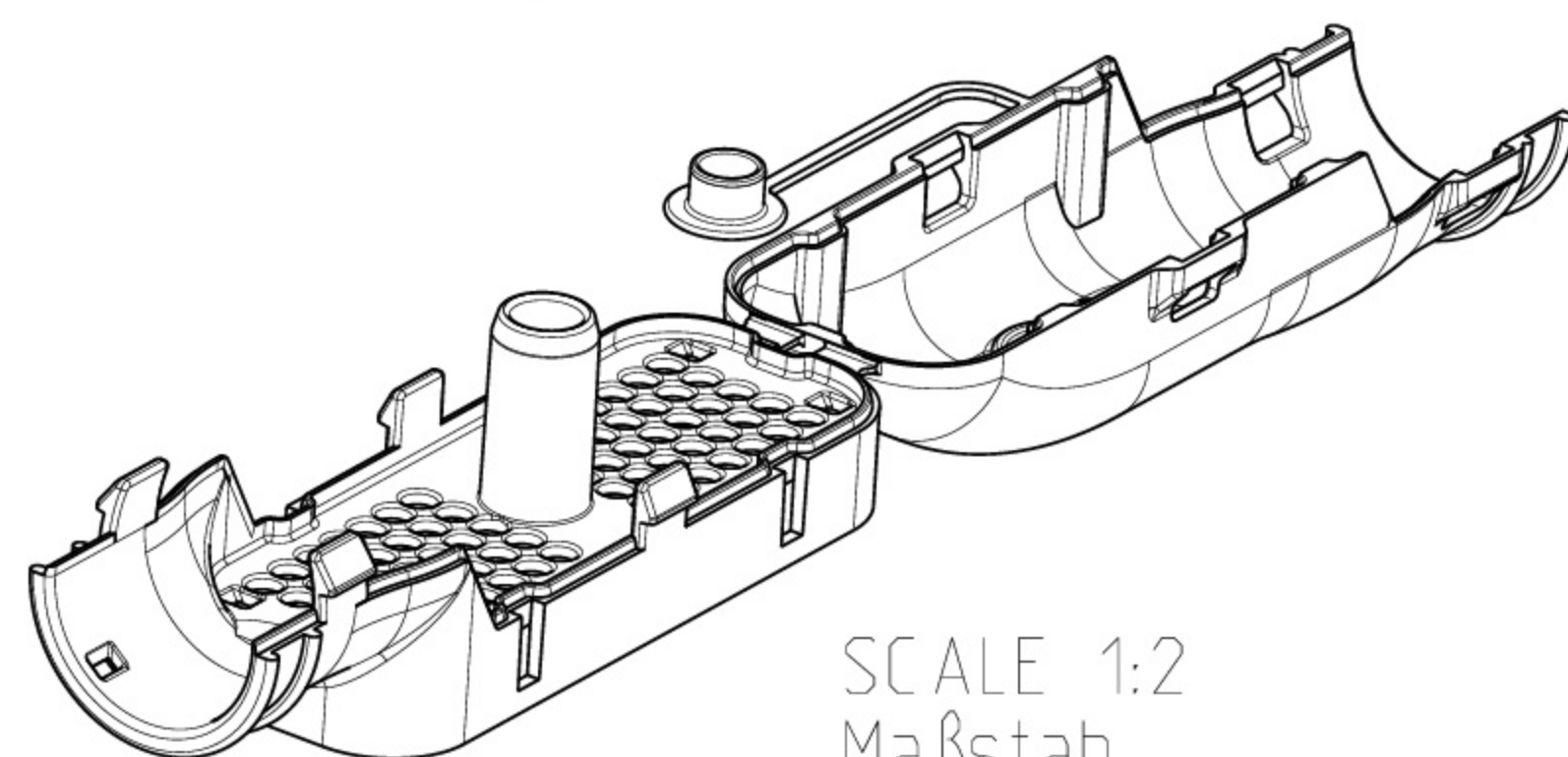
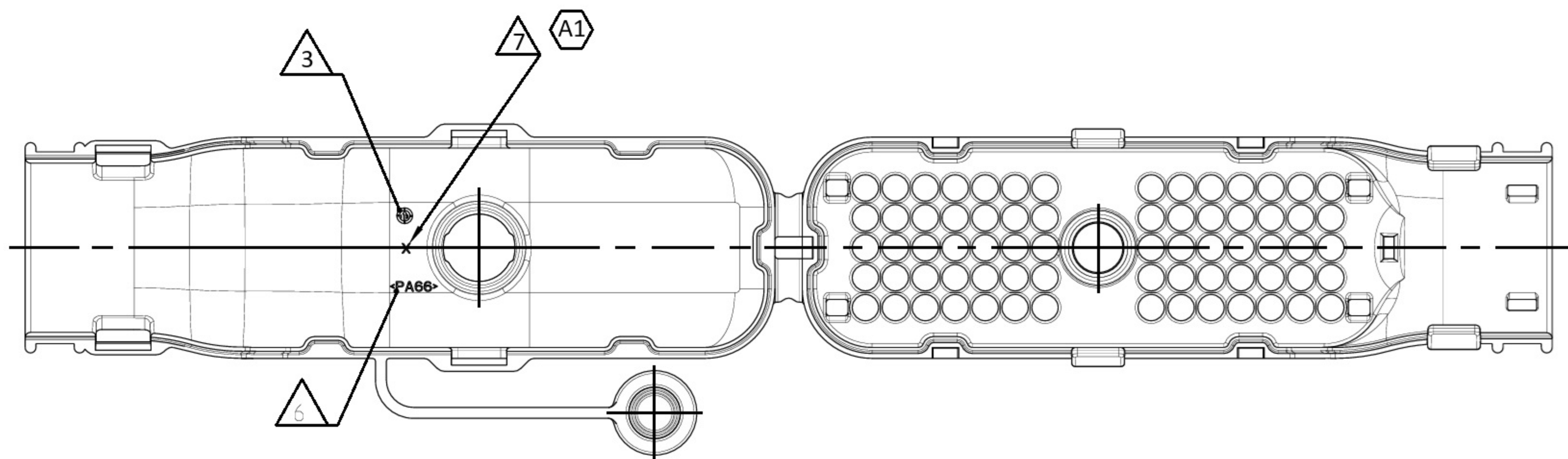
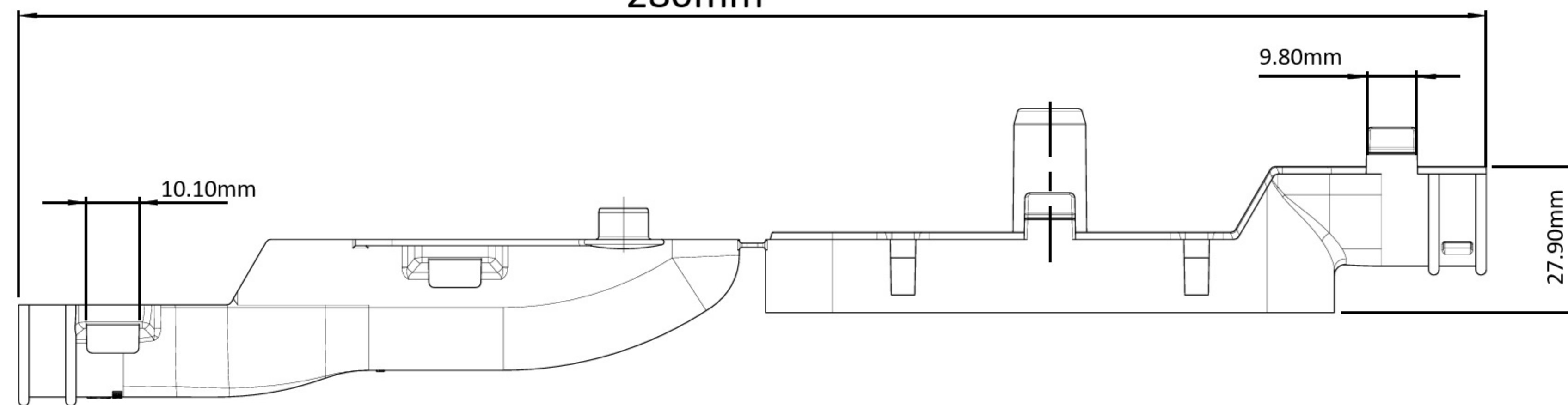


DIMENSIONS



280mm



SCALE 1:2
Maßstab

- ① DEUTSCH LOGO
- ② DEUTSCH PART-NO
- ③ PRODUCTION DATE
- ⑥ MATERIAL MARKING ACCORDING TO VDA 260
- ⑦ MOULD CAVITY MARKING (IF NECESSARY)
- ⑧ BASED ON THE HINGE MECHANISM OF THE CAP, THE DELIVERY CONDITION CAN BE DIFFERENT TO THE SHOWN STATUS.
- ⑨ MATED WITH DRC16-70S

