

DIMENSIONS

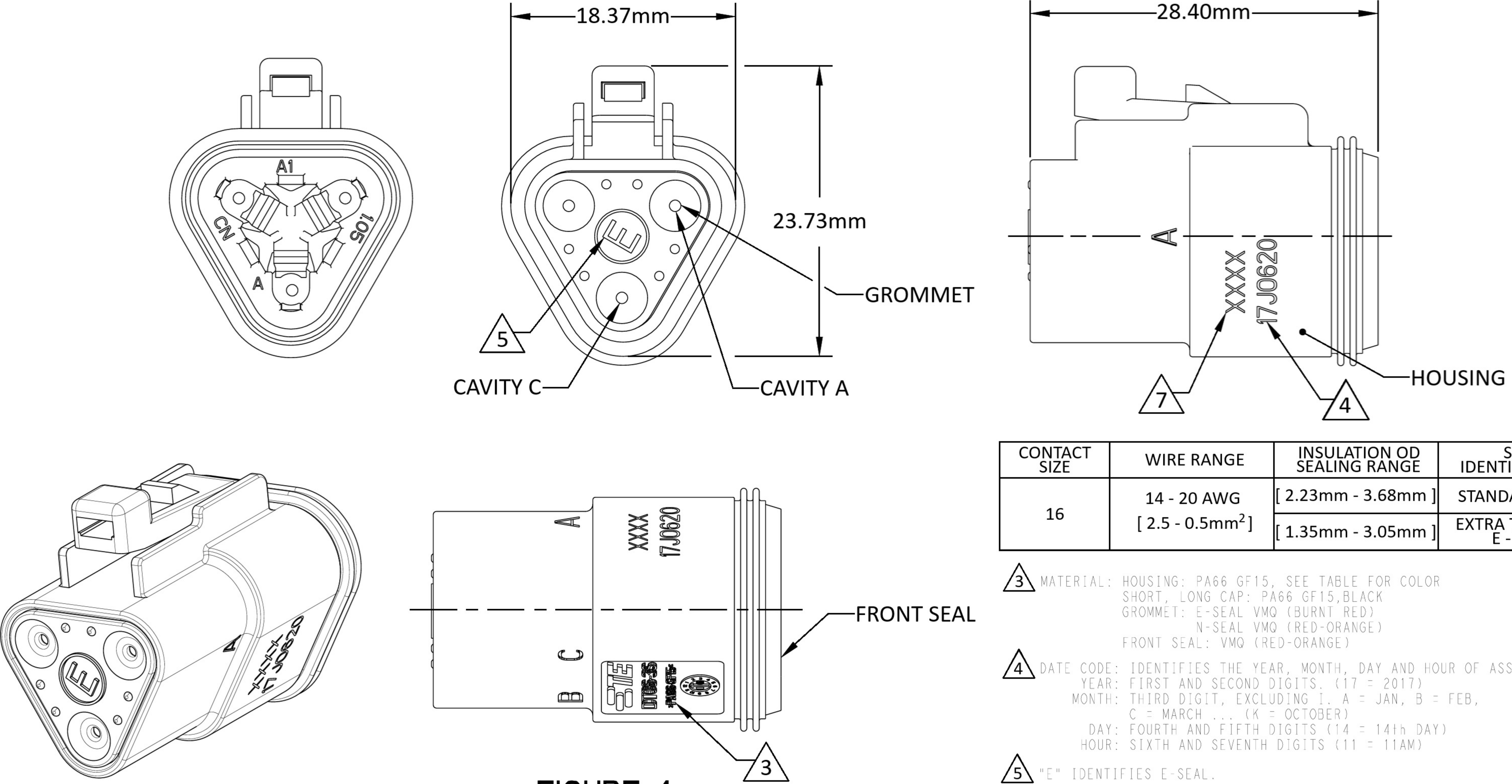
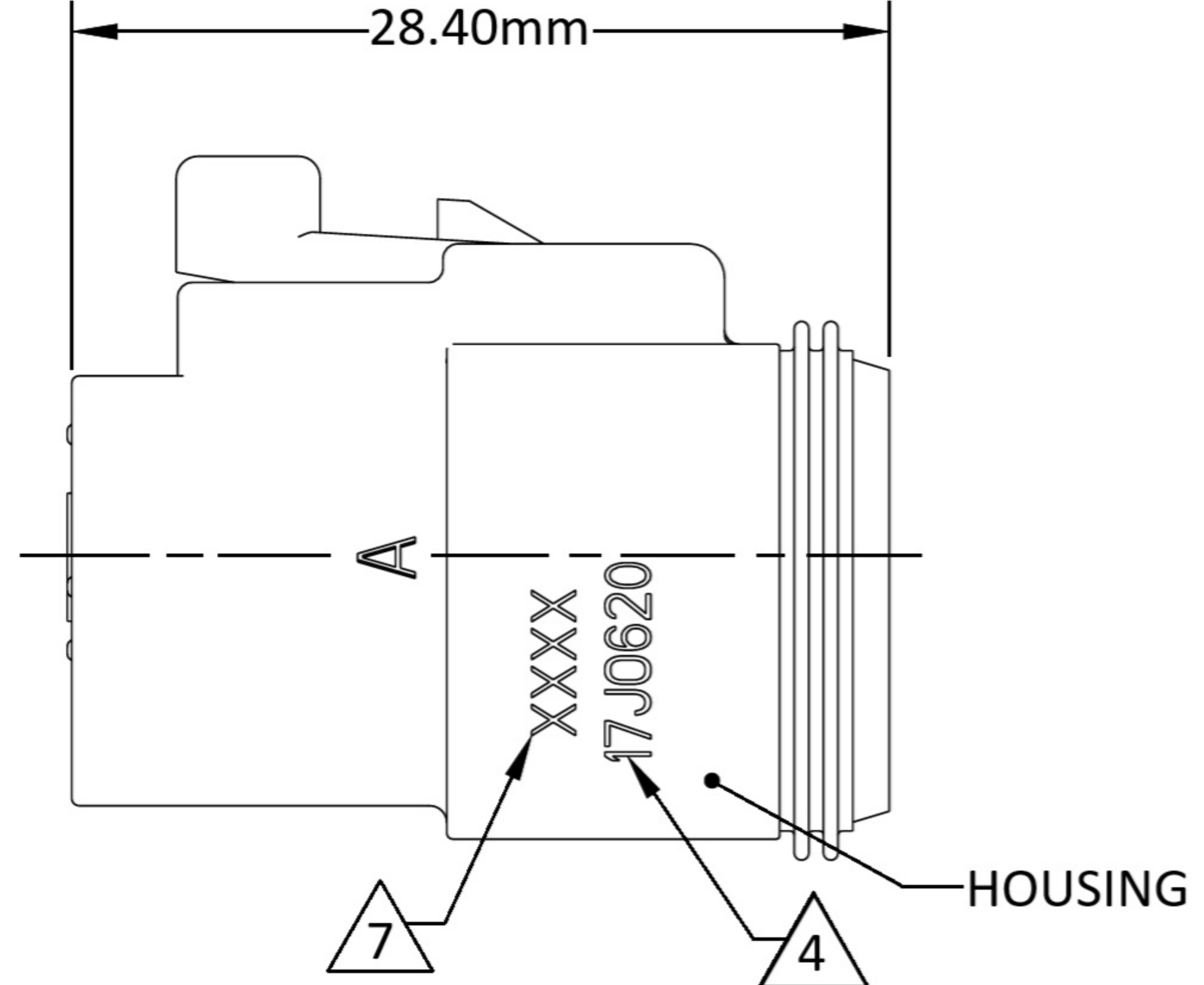


FIGURE 1



CONTACT SIZE	WIRE RANGE	INSULATION OD SEALING RANGE	SEAL IDENTIFICATION
16	14 - 20 AWG [2.5 - 0.5mm ²]	[2.23mm - 3.68mm]	STANDARD SEAL
		[1.35mm - 3.05mm]	EXTRA THIN SEAL E - SEAL

- 3 MATERIAL: HOUSING: PA66 GF15, SEE TABLE FOR COLOR
SHORT, LONG CAP: PA66 GF15, BLACK
GROMMET: E-SEAL VMQ (BURNT RED)
N-SEAL VMQ (RED-ORANGE)
FRONT SEAL: VMQ (RED-ORANGE)
- 4 DATE CODE: IDENTIFIES THE YEAR, MONTH, DAY AND HOUR OF ASSEMBLY.
YEAR: FIRST AND SECOND DIGITS. (17 = 2017)
MONTH: THIRD DIGIT, EXCLUDING I. A = JAN, B = FEB,
C = MARCH ... (K = OCTOBER)
DAY: FOURTH AND FIFTH DIGITS (14 = 14th DAY)
HOUR: SIXTH AND SEVENTH DIGITS (11 = 11AM)
- 5 "E" IDENTIFIES E-SEAL.
- 7 XXXX IDENTIFIES THE MODIFICATION NUMBER, IF APPLICABLE.
EXAMPLE: "E003" FOR DT06-3S-E003,
OR BLANK FOR DT06-3S.