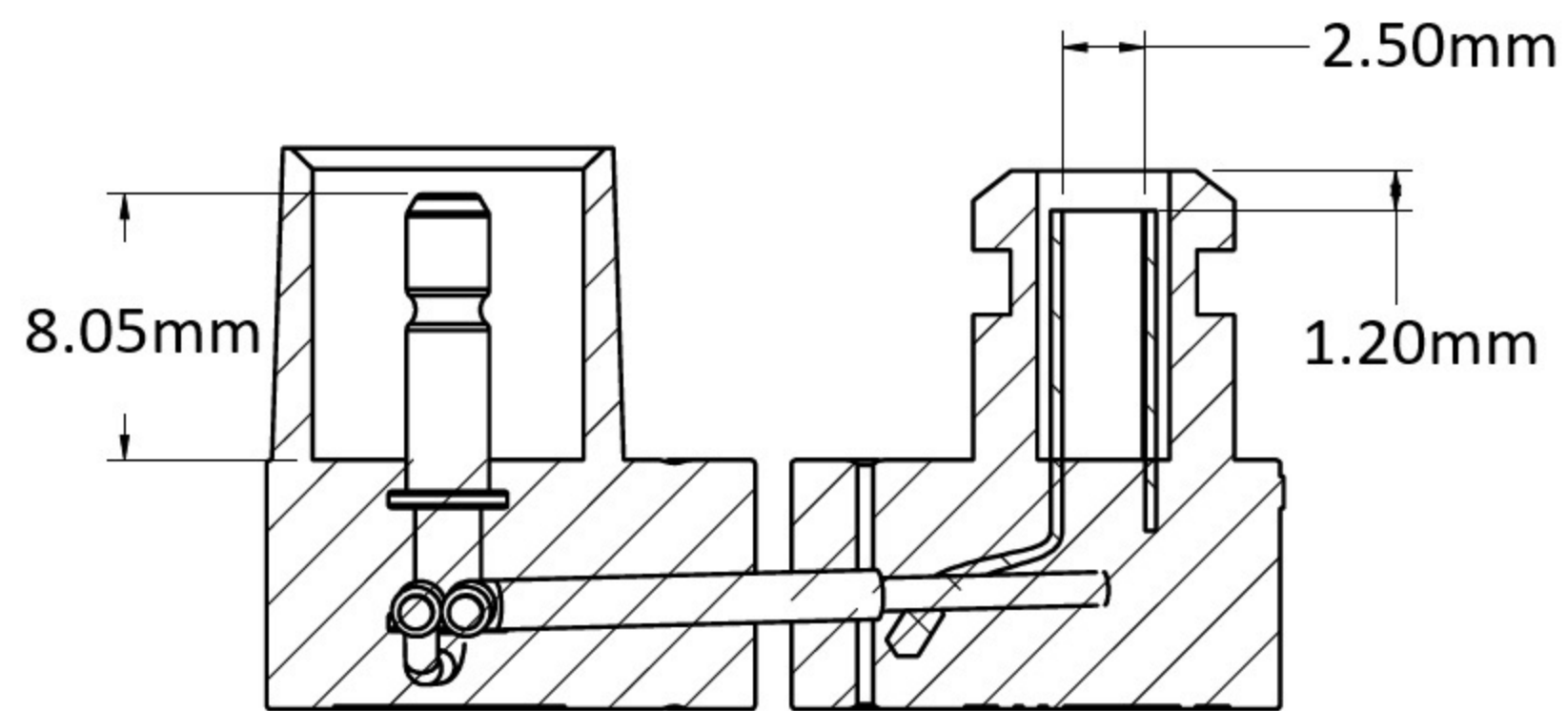
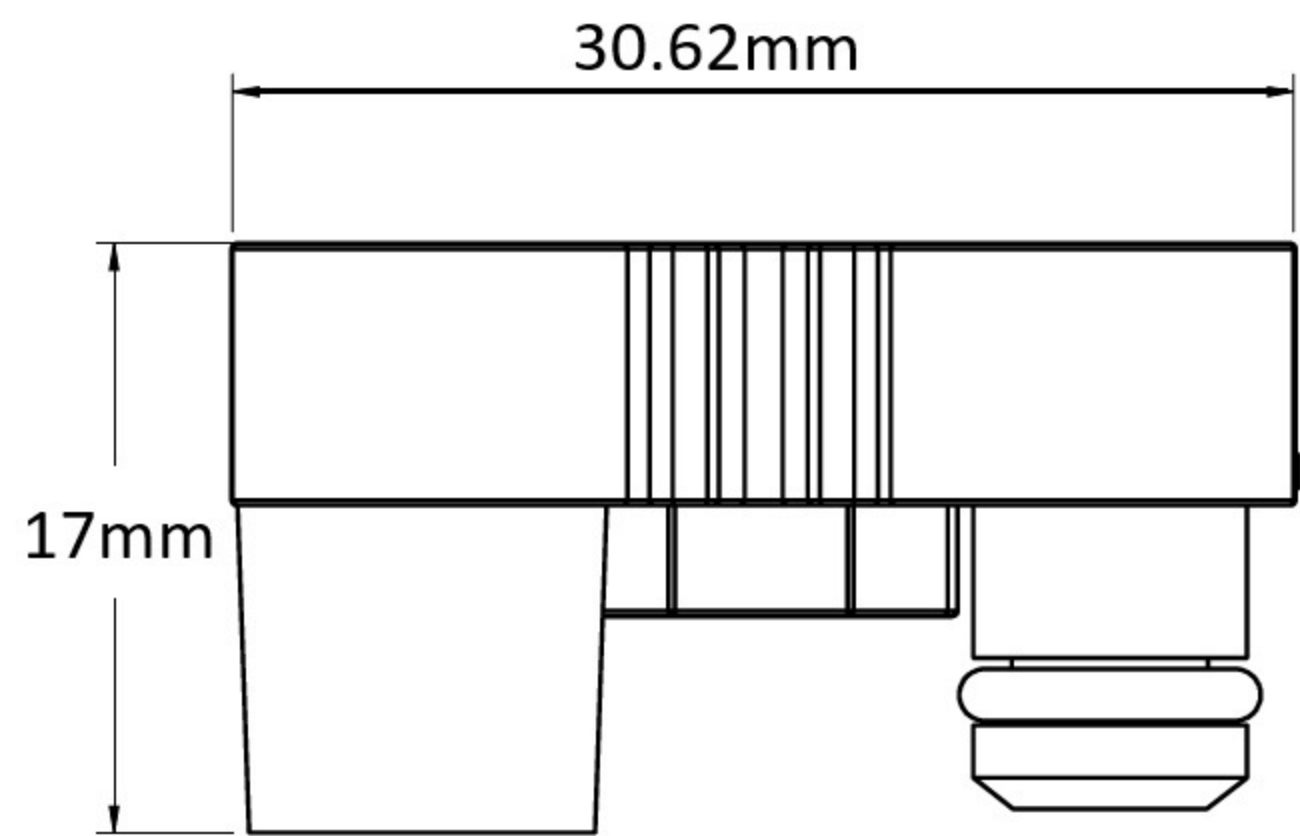
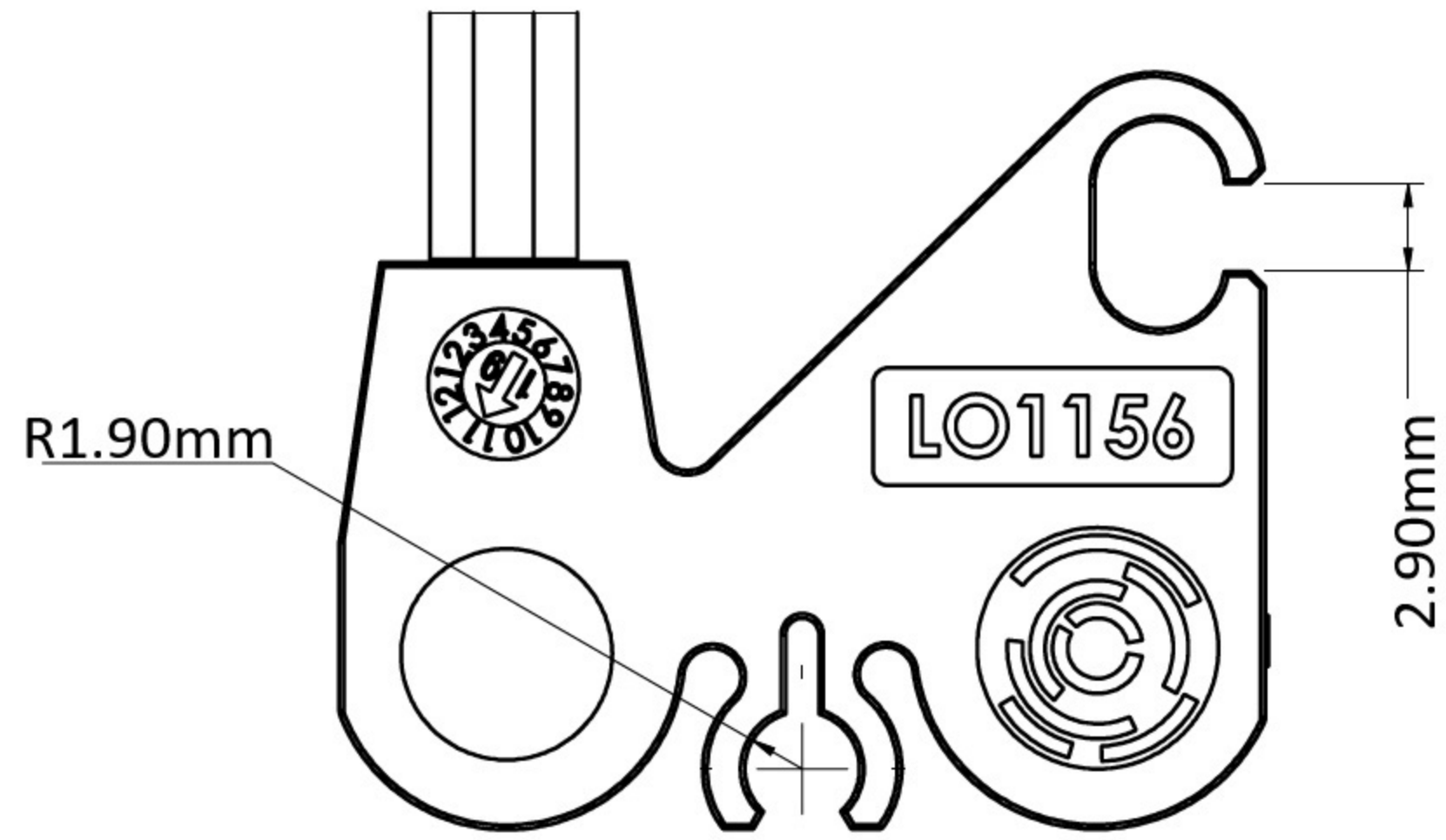


# DIMENSIONS



SECTION B-B

