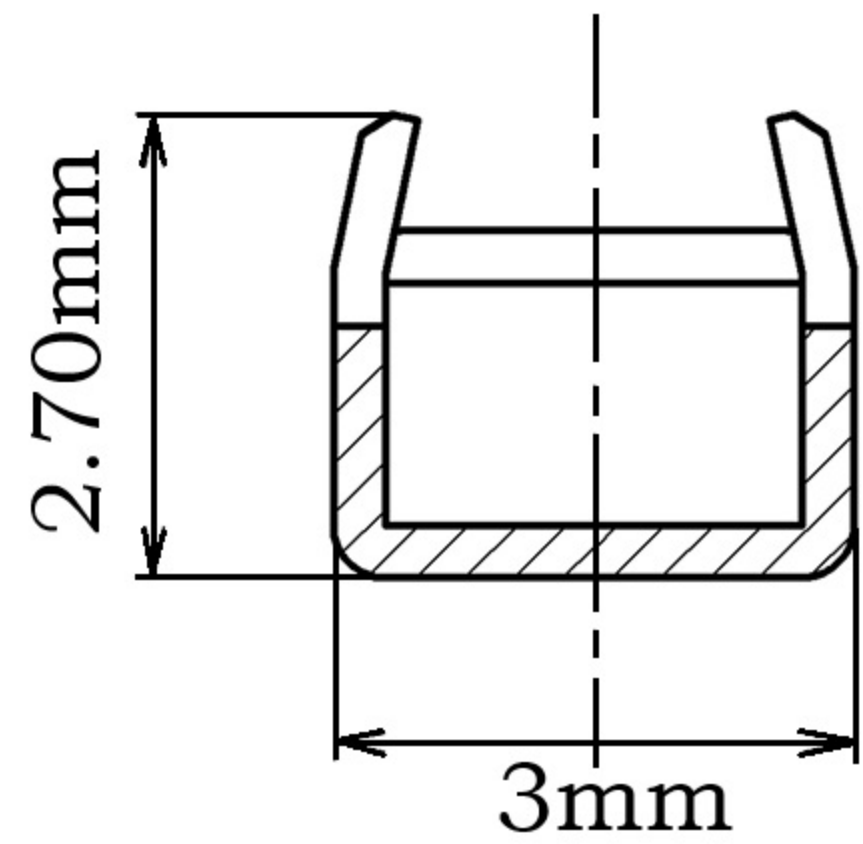
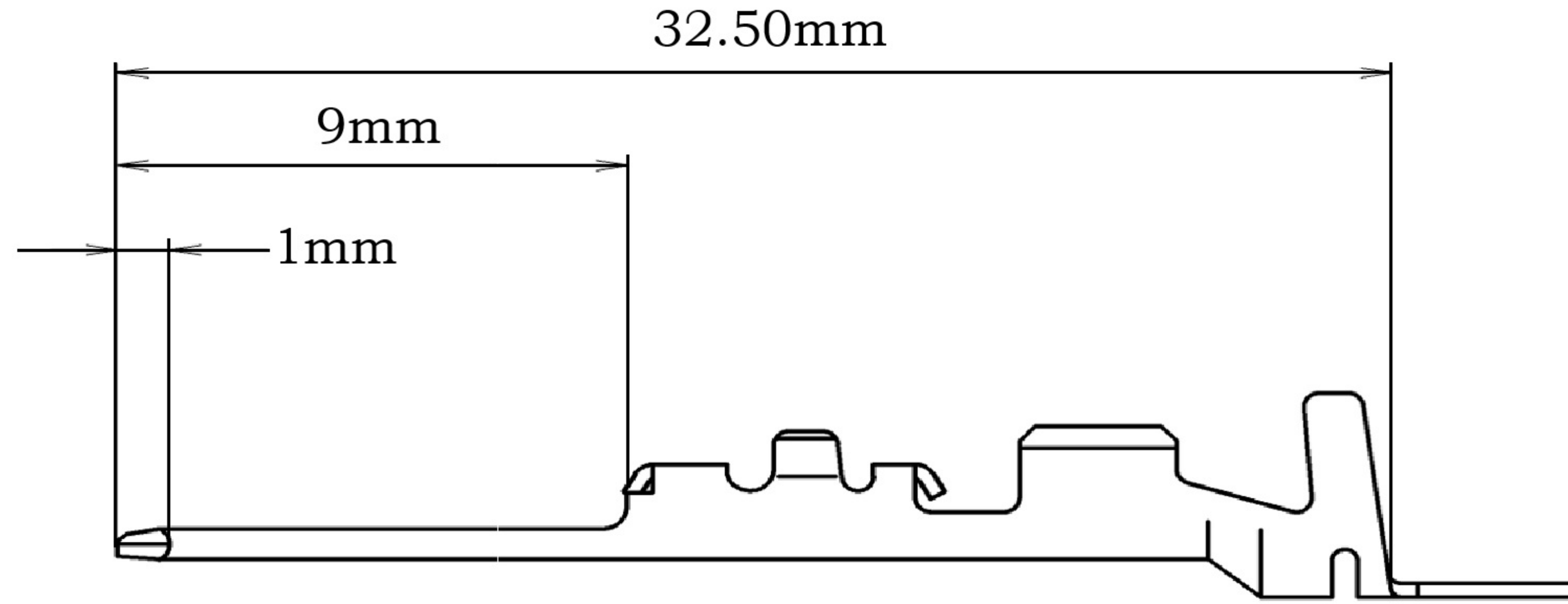
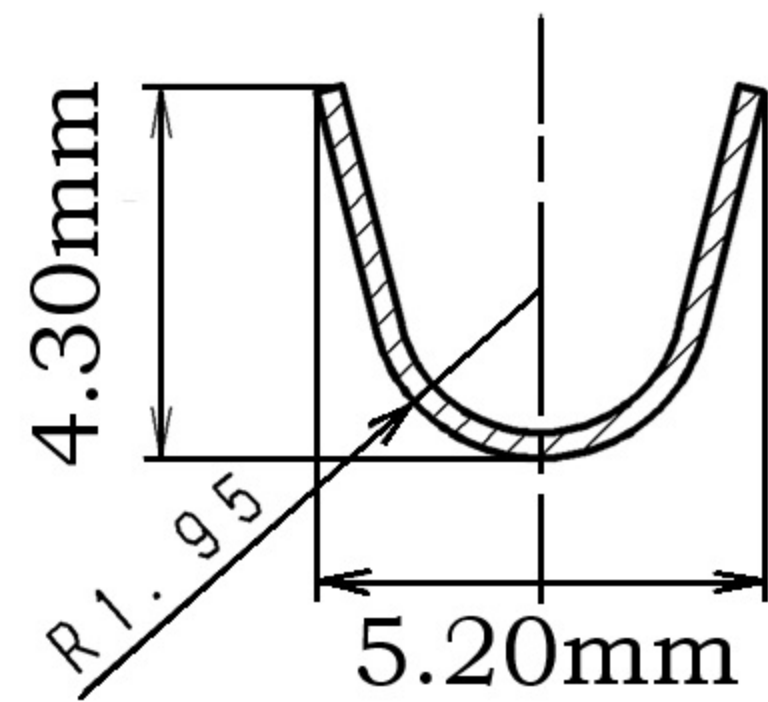


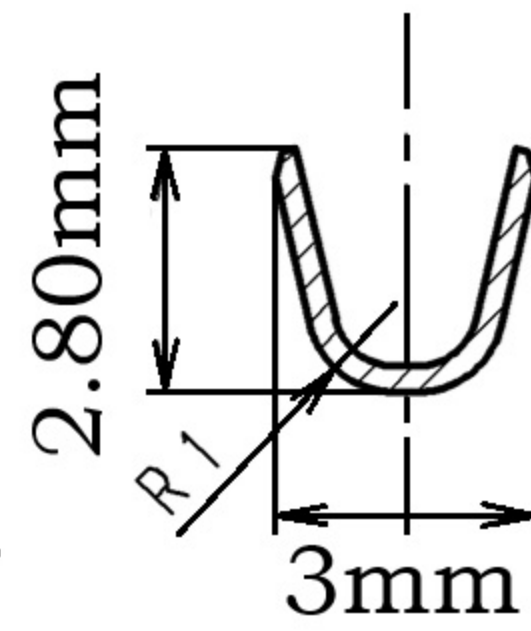
# DIMENSIONS



**SEC. C-C (10/1)**



**SEC. A-A**



**SEC. B-B**

