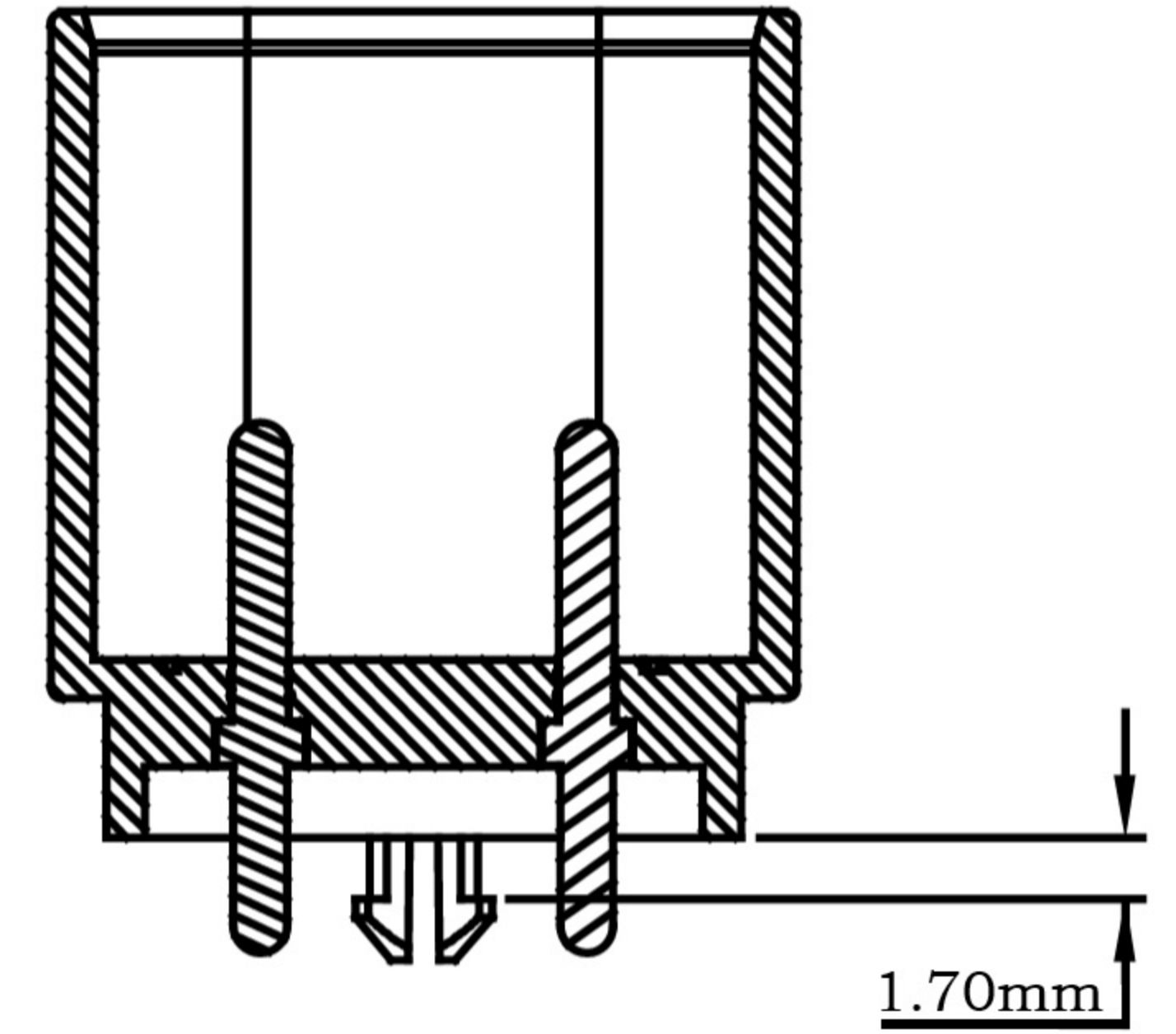
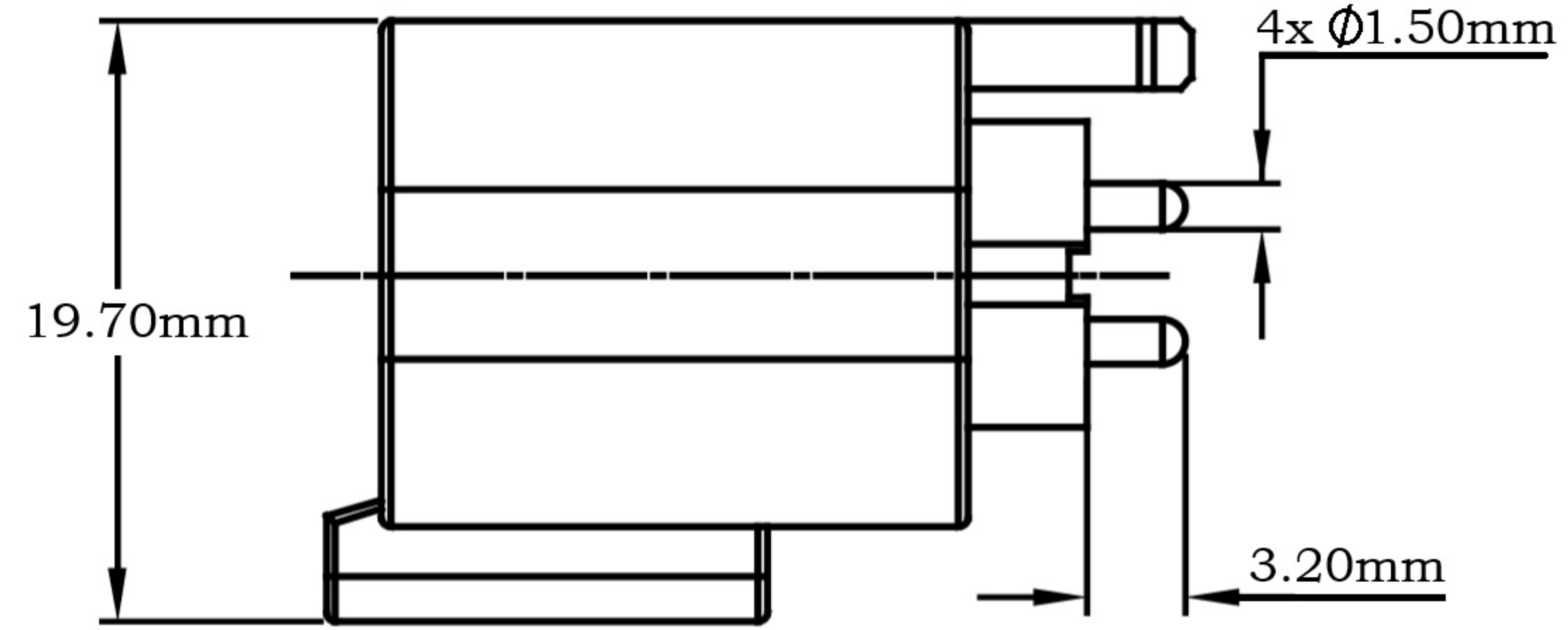
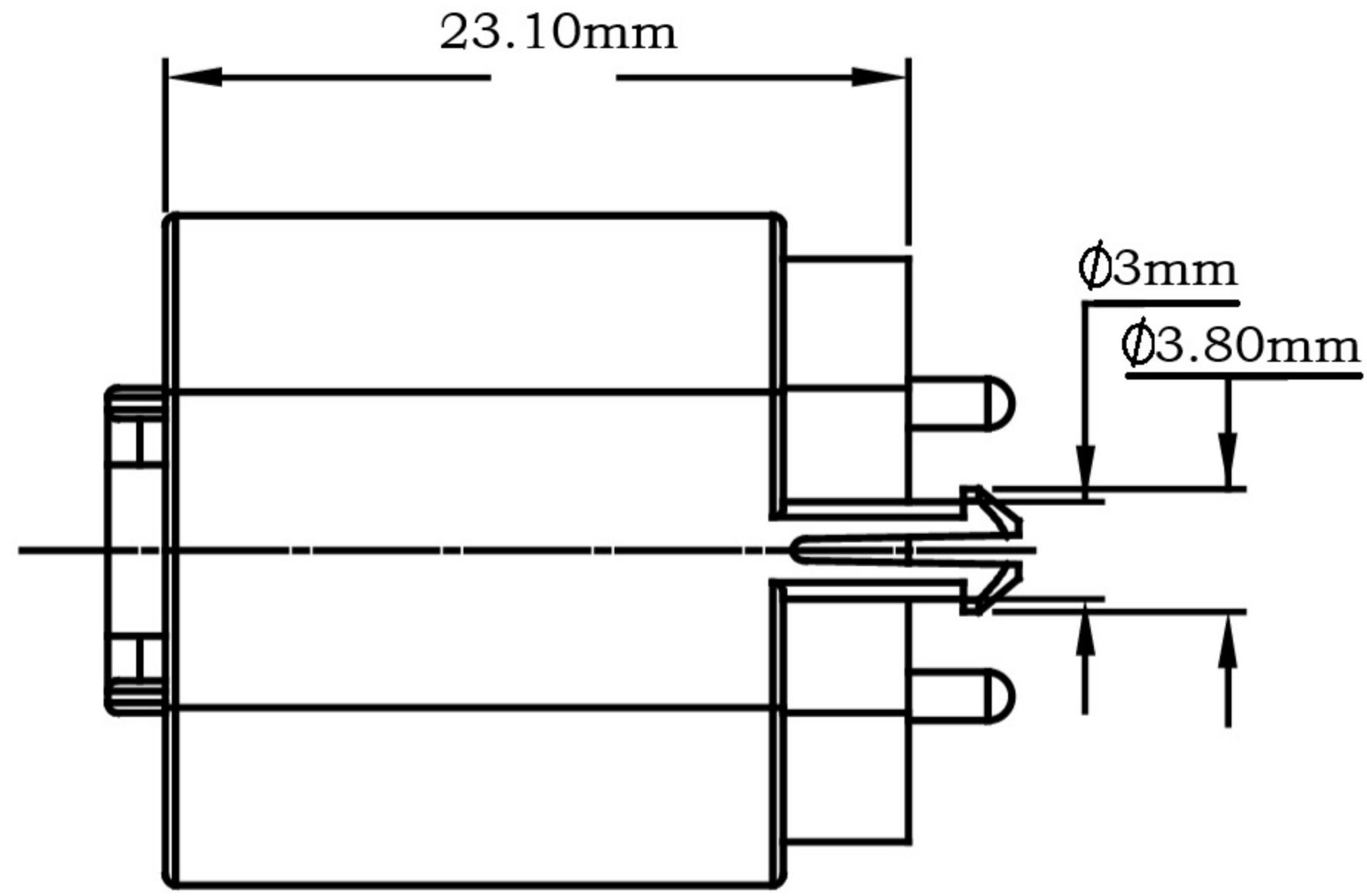
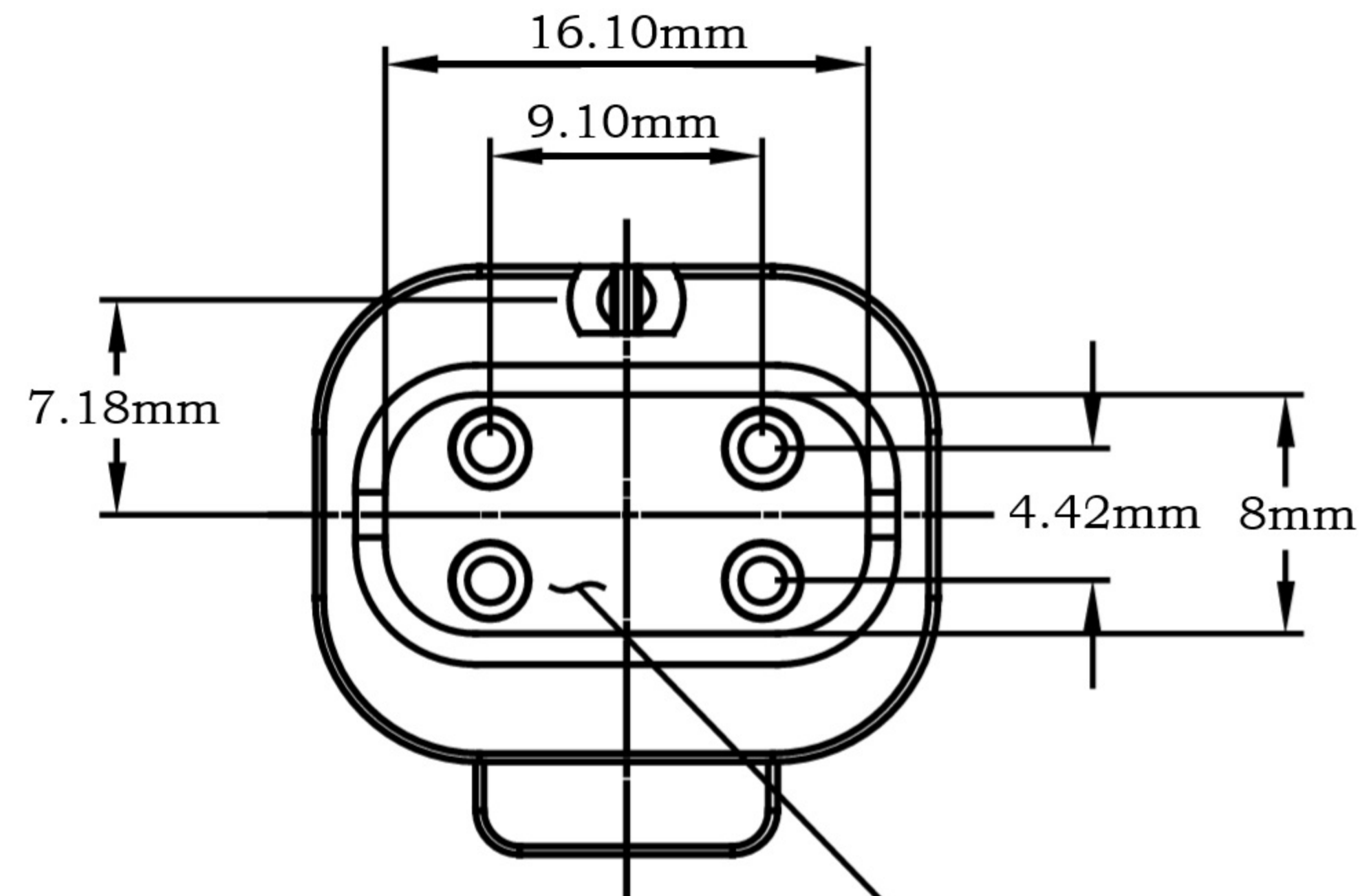
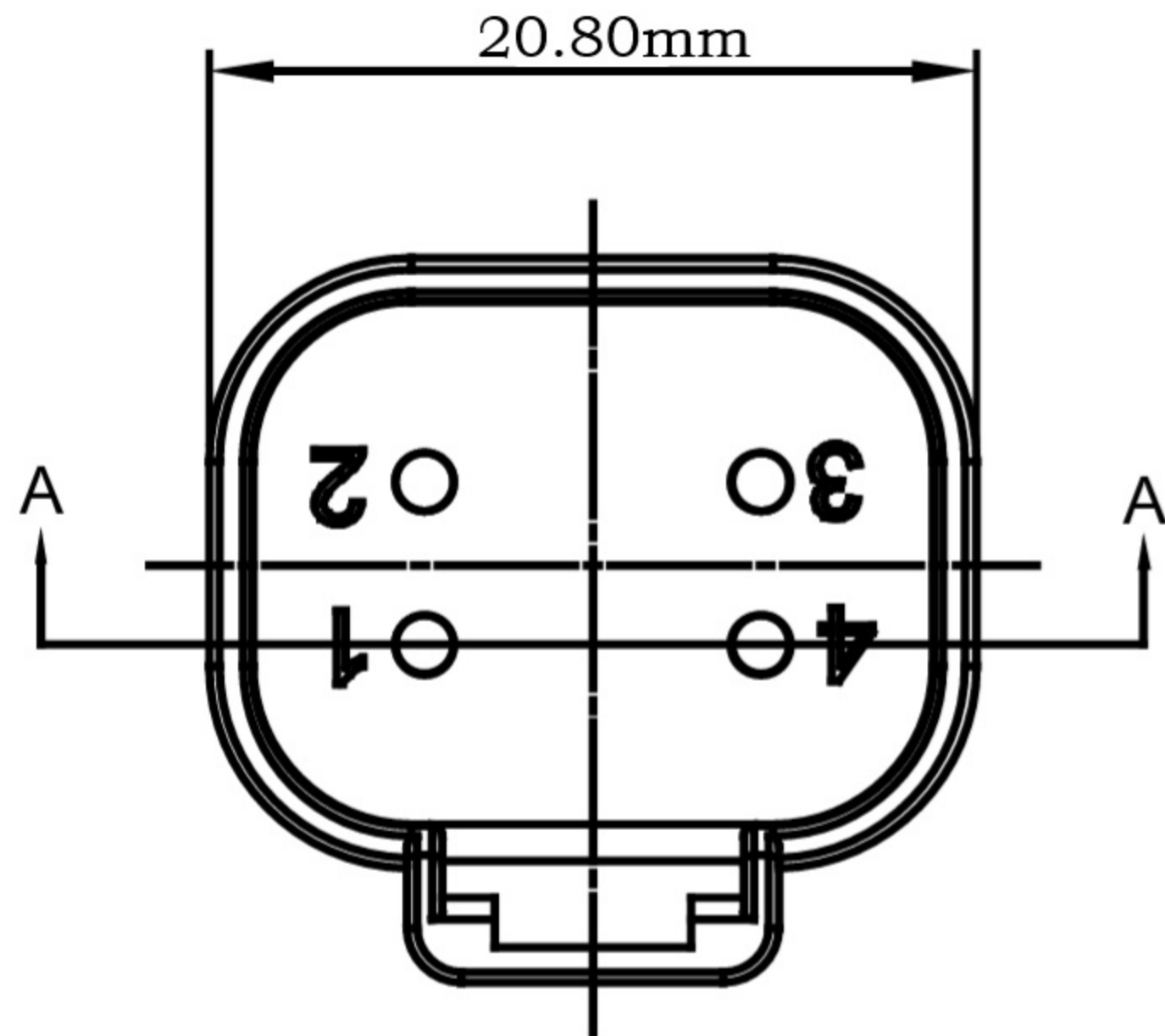


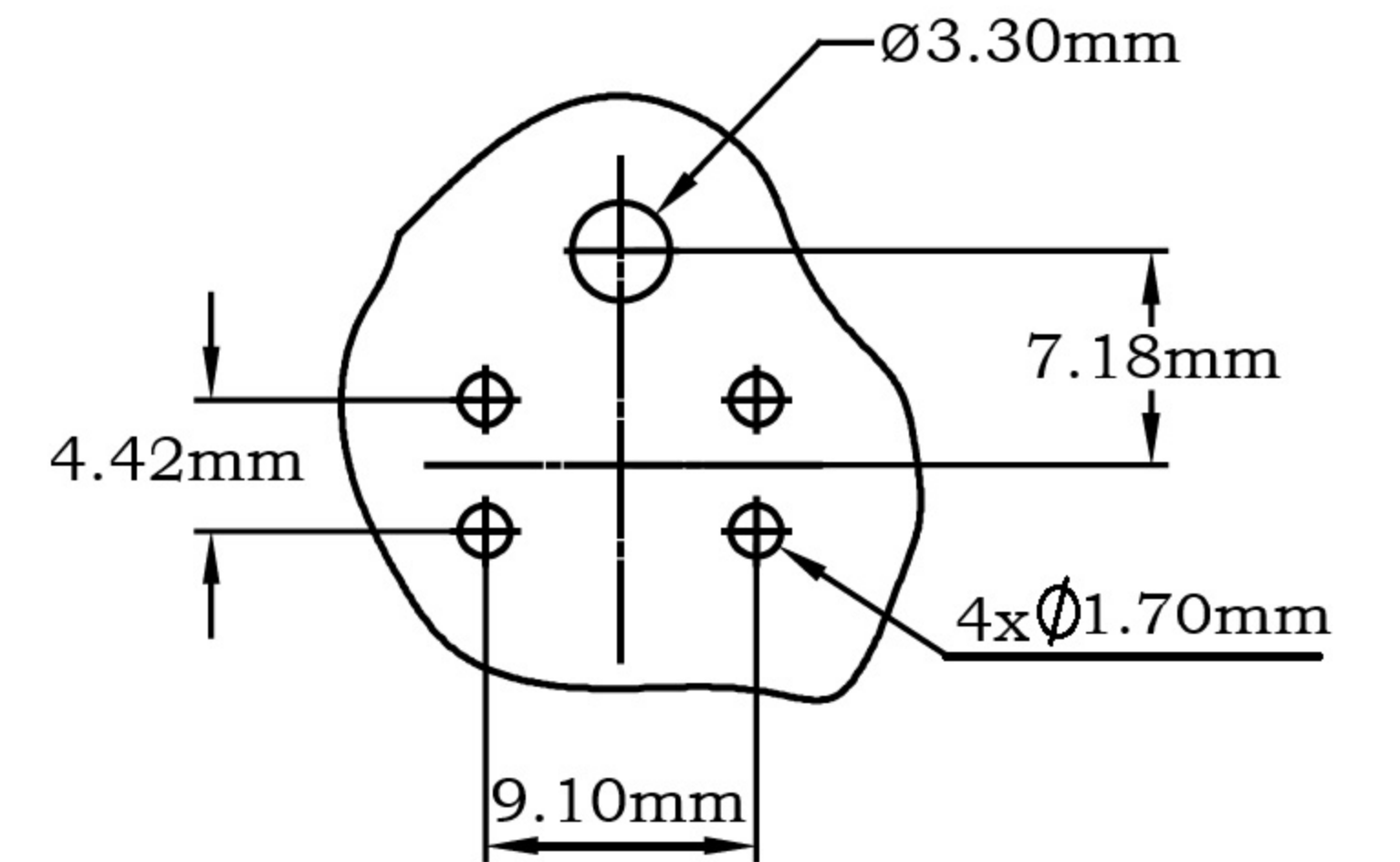
DIMENSIONS



SECTION A-A



RESERVOIR



RECOMMENDED LAYOUT
VIEW FROM COMPONENTS
SIDE OF PCB