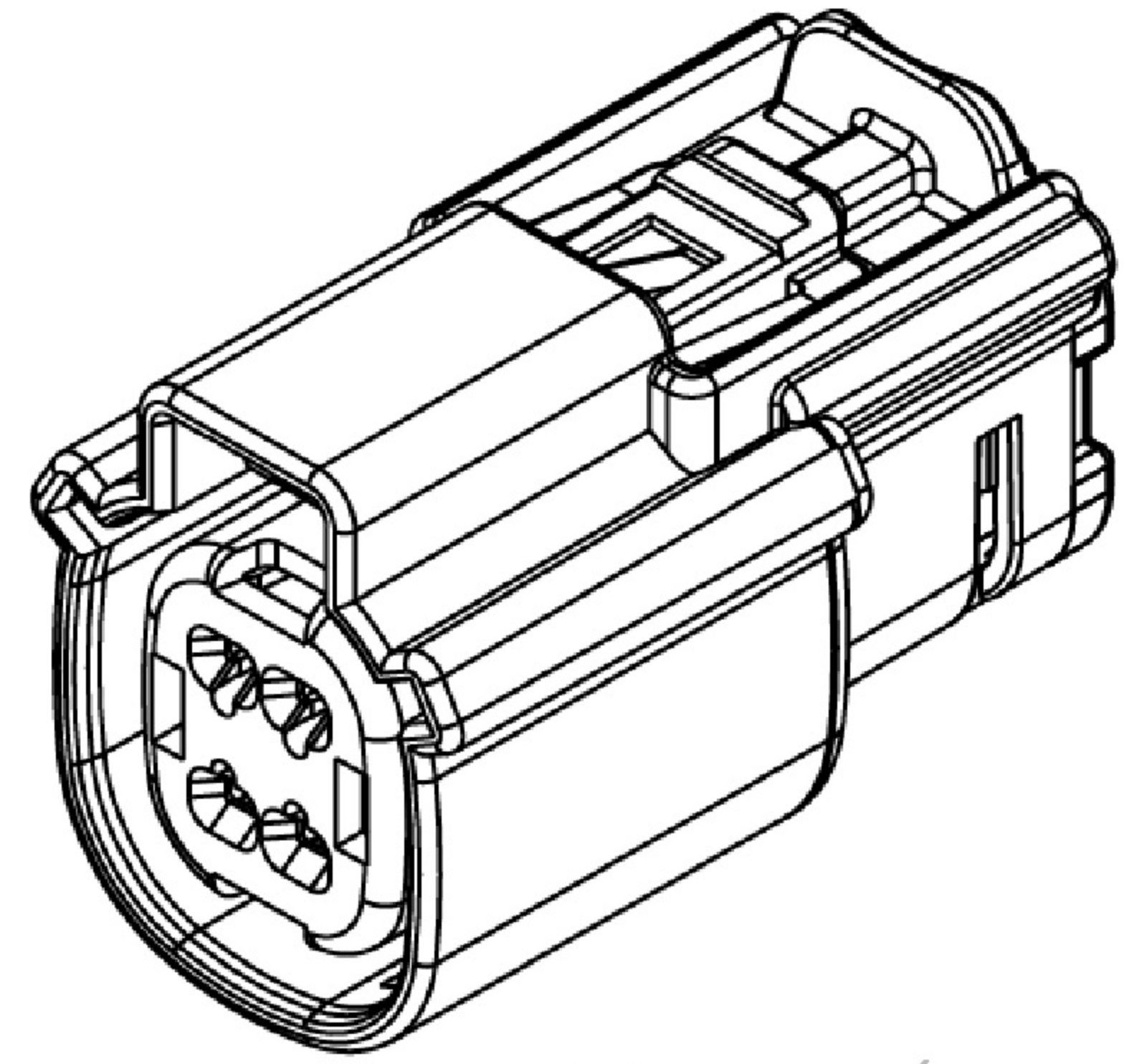
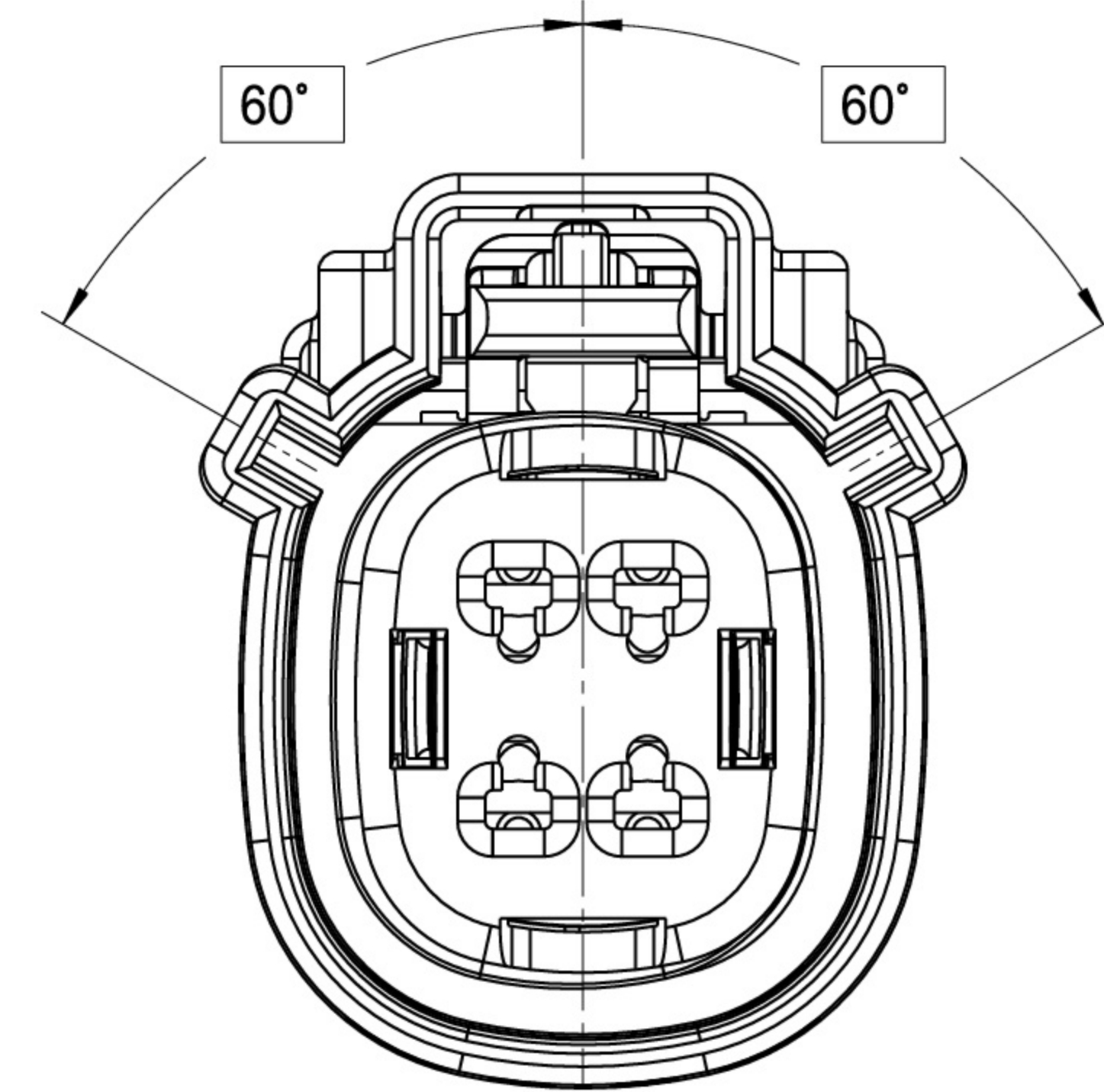


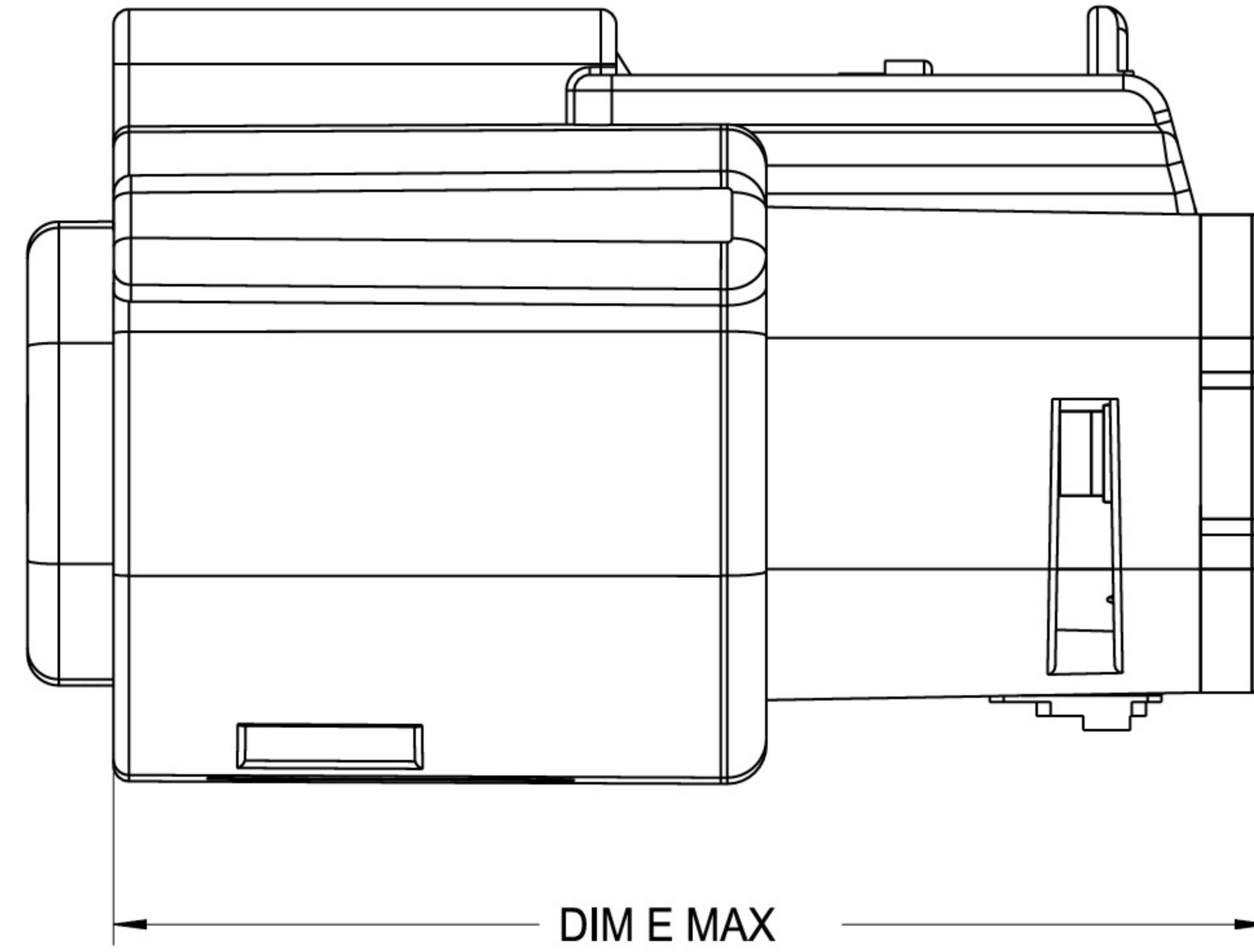
DIMENSIONS



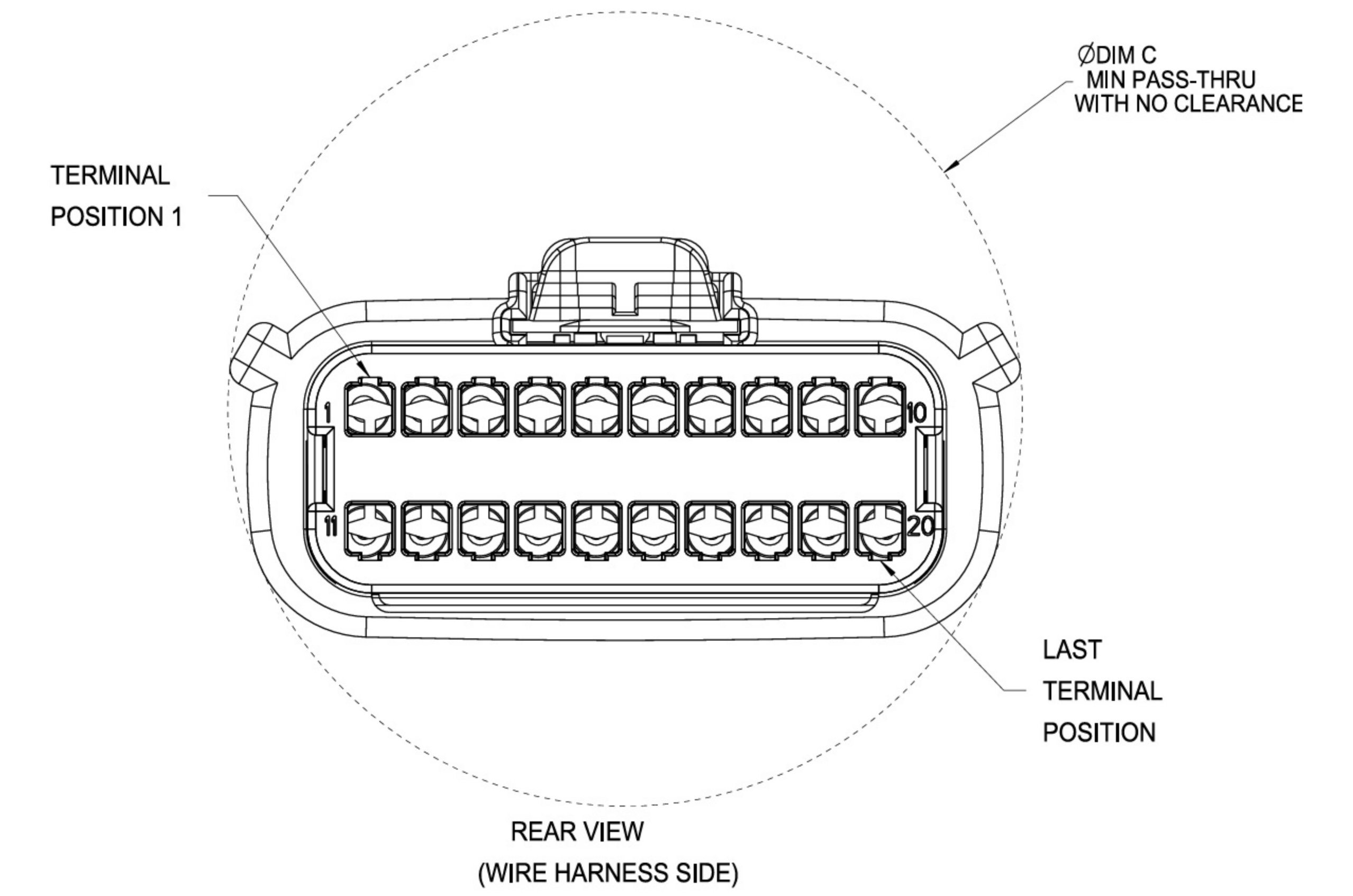
2x2



KEY A



DIM E MAX

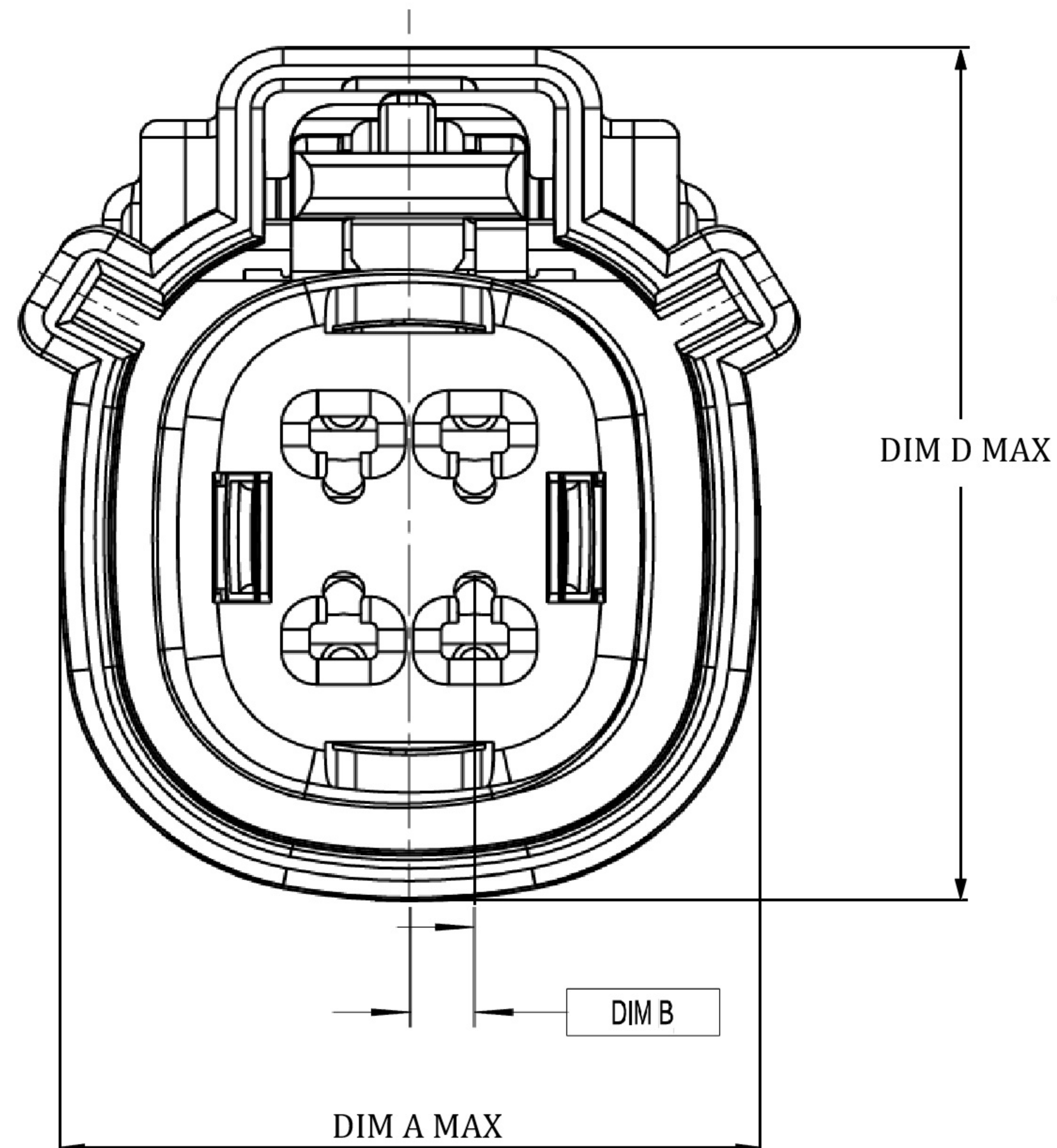


TERMINAL POSITION 1

ØDIM C
MIN PASS-THRU
WITH NO CLEARANCE

LAST
TERMINAL
POSITION

REAR VIEW
(WIRE HARNESS SIDE)

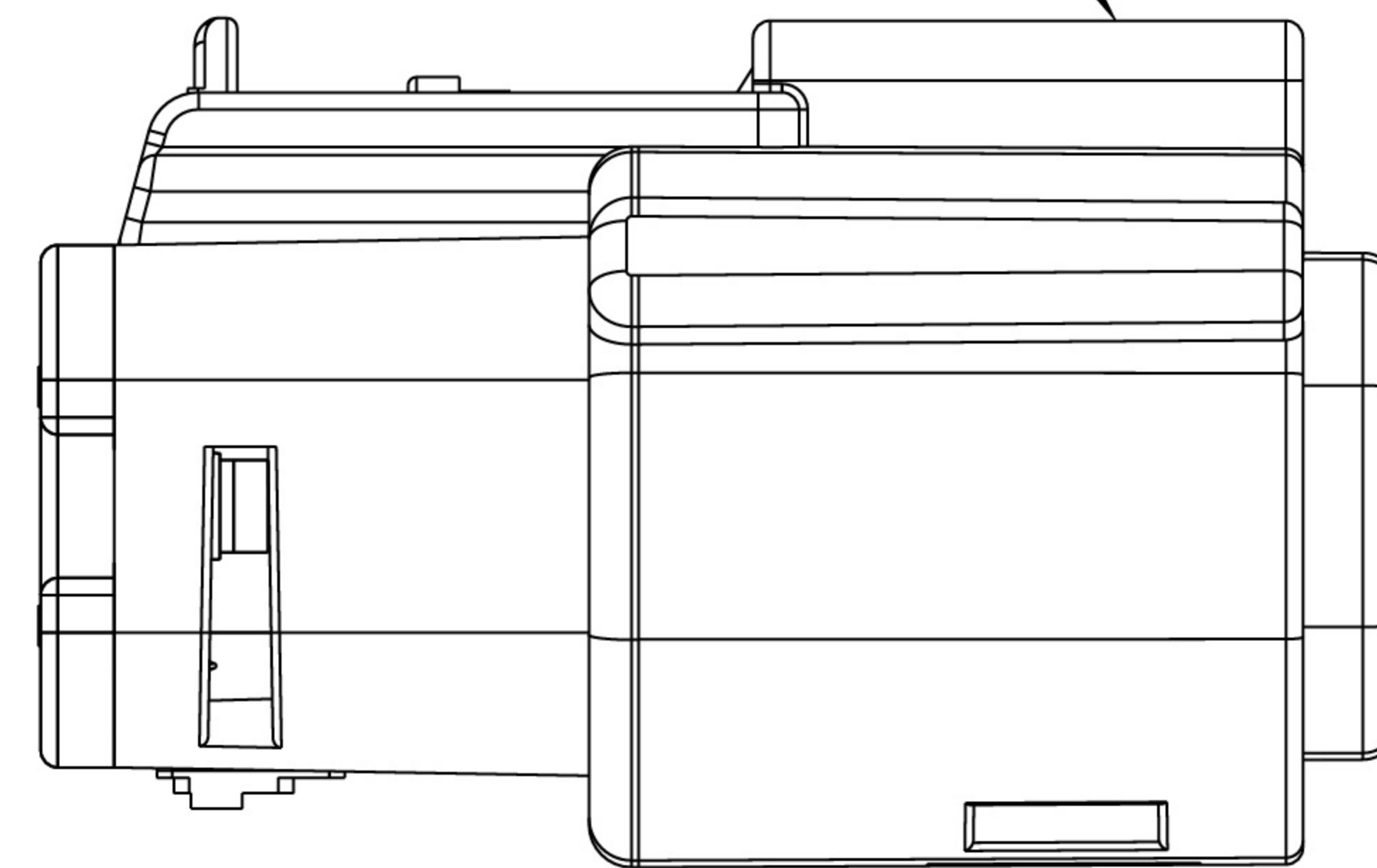


DIM D MAX

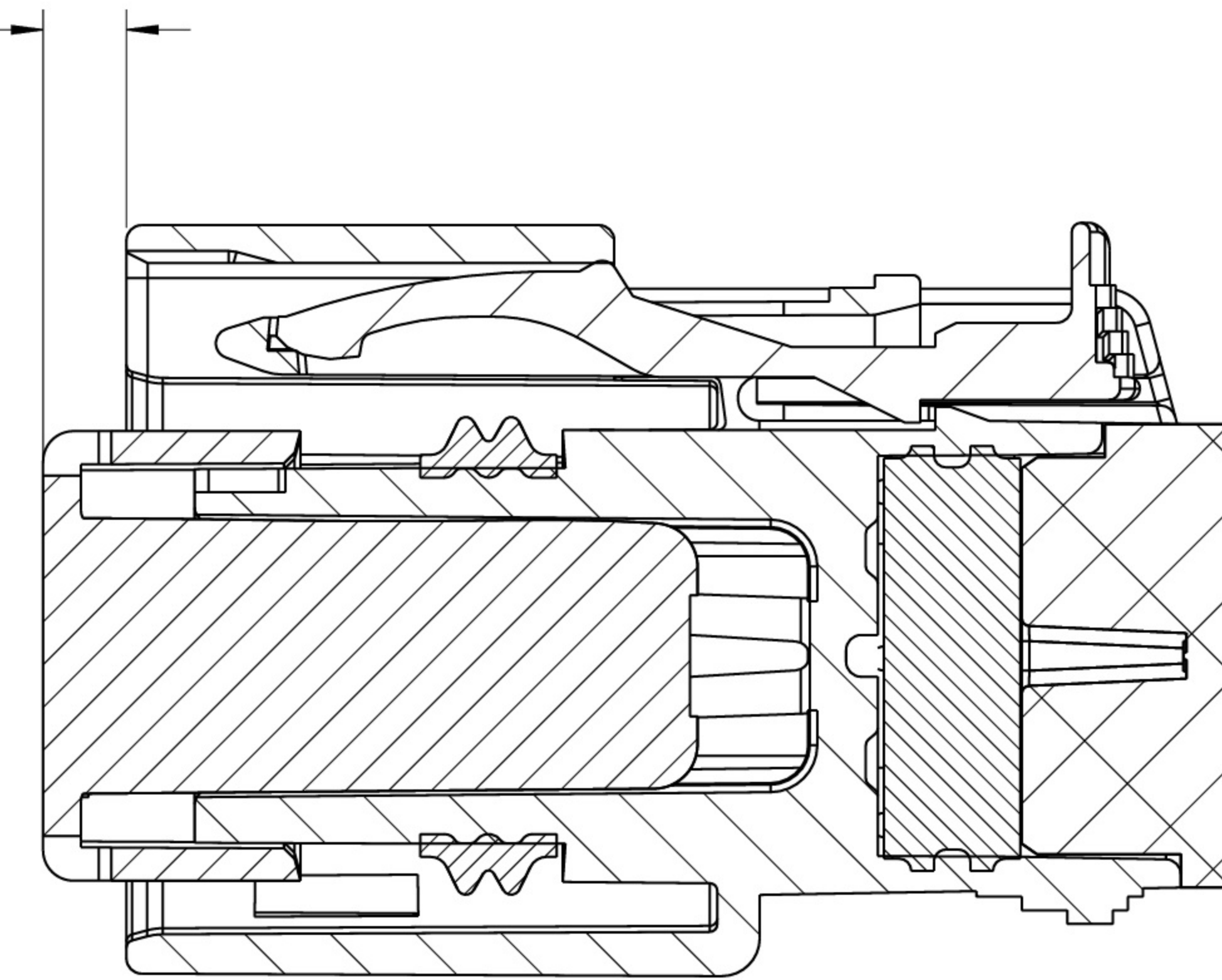
DIM B

DIM A MAX

LASER MARKING ON THIS SURFACE
SEE NOTE 3g.

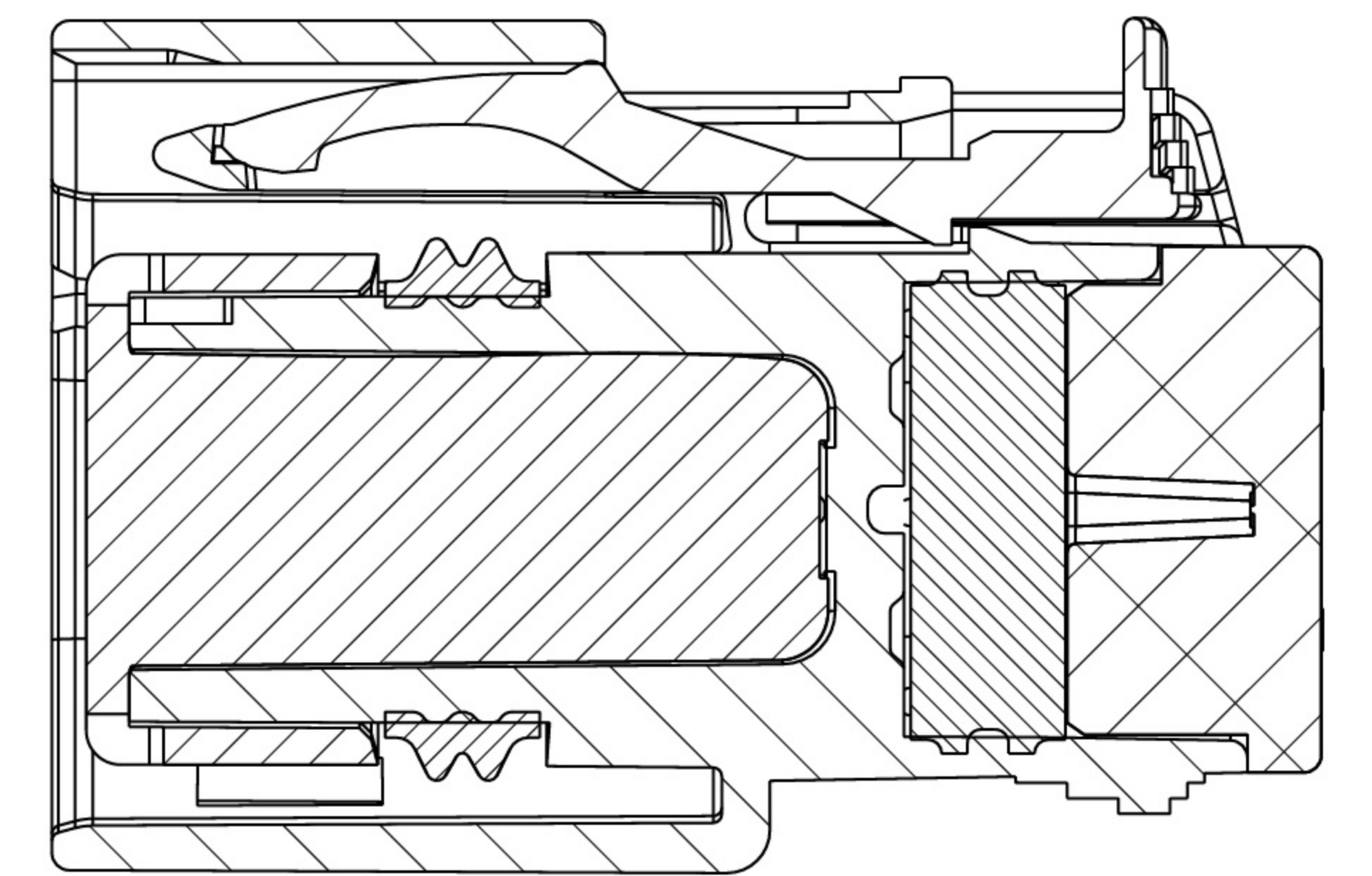


DIM G
⑥



PRIMARY LOCK REINFORCEMENT (PLR) SHOWN
IN PRE-STAGED POSITION

SECTION Y-Y



PRIMARY LOCK REINFORCEMENT (PLR) SHOWN
IN FINAL-LOCK POSITION

SECTION Z-Z

CHARTED DIMENSIONS

DESCRIPTION	DIMENSIONS						
	A	B	C	D	E	F	G
2X2 W/O CLIPSLOT	18.75mm	1.75mm	25.45mm	24.90mm	37.65mm	N/A	2.75mm ± 0.50mm