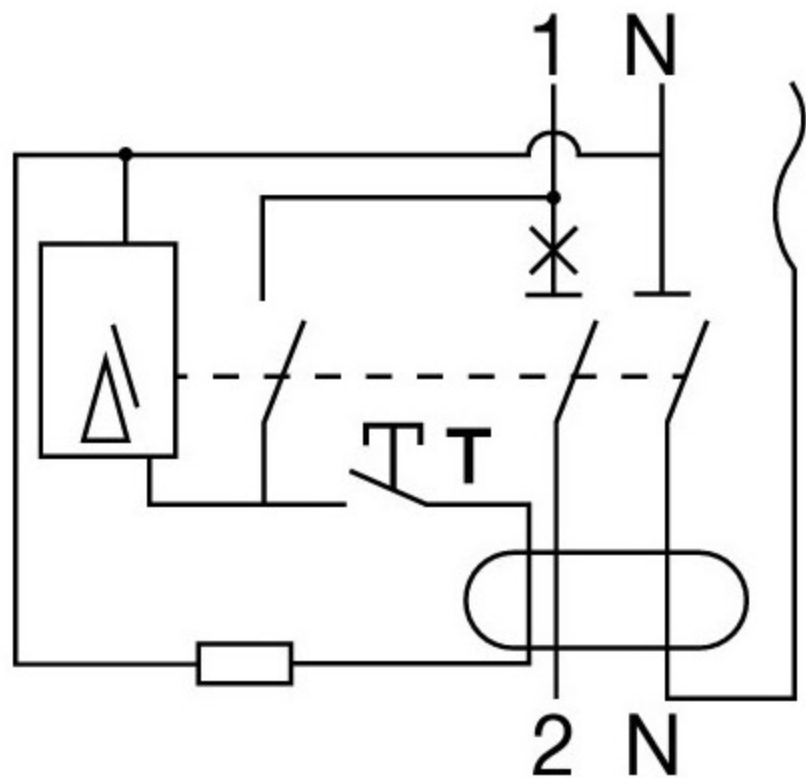


# Circuit Diagram



230/240V~50Hz