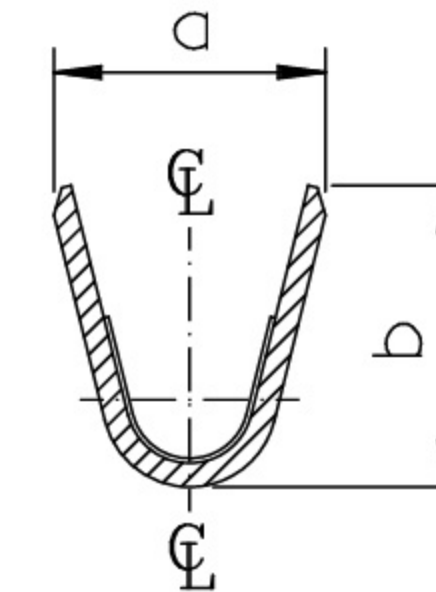
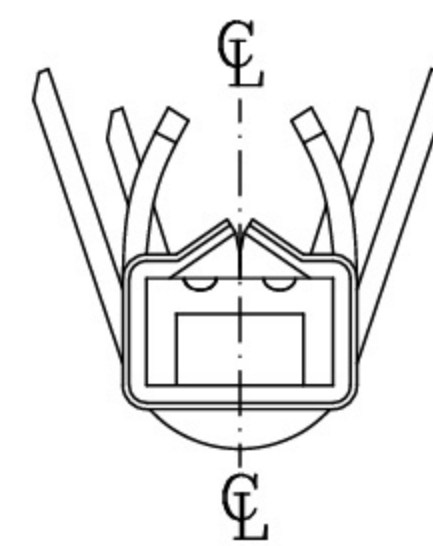
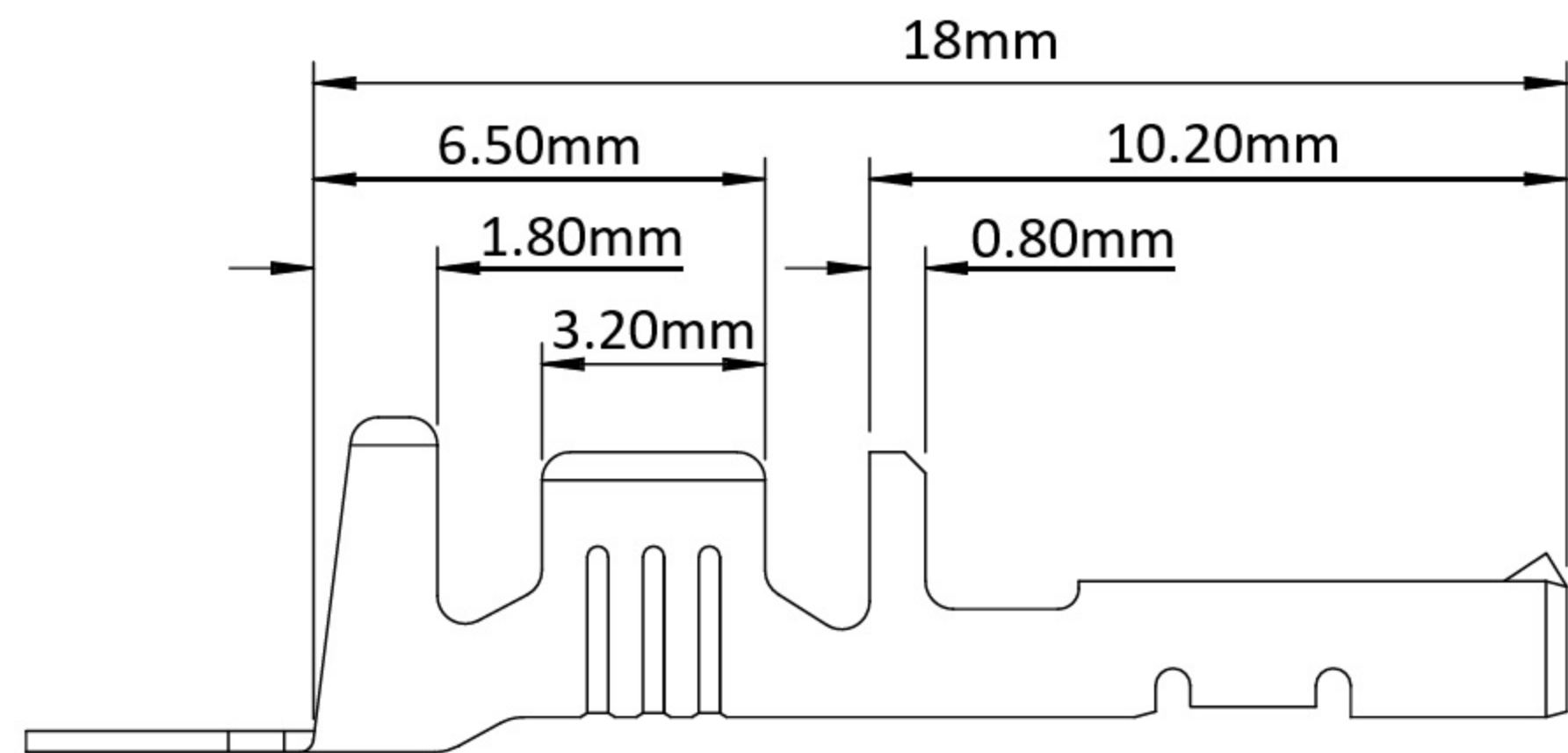
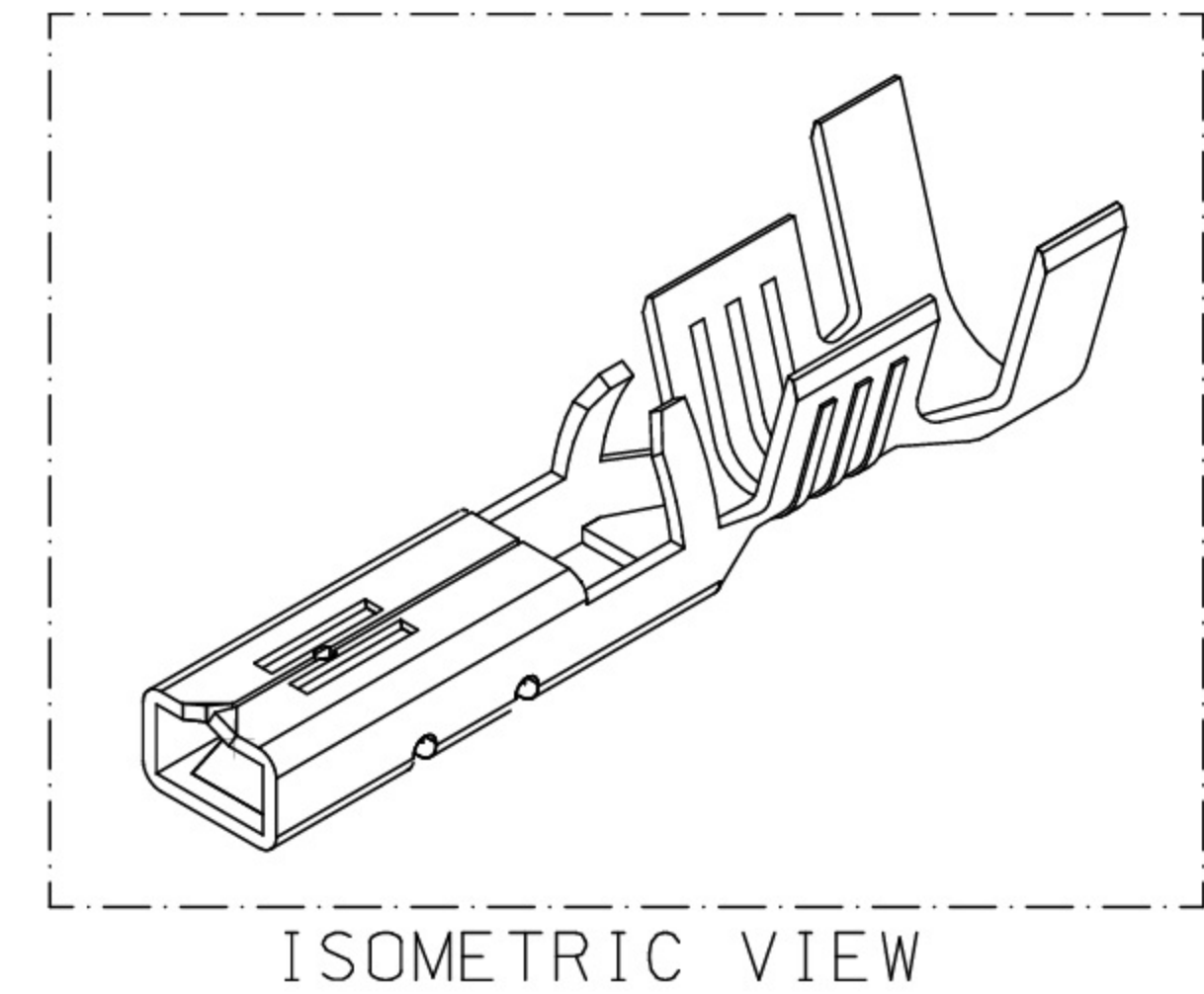
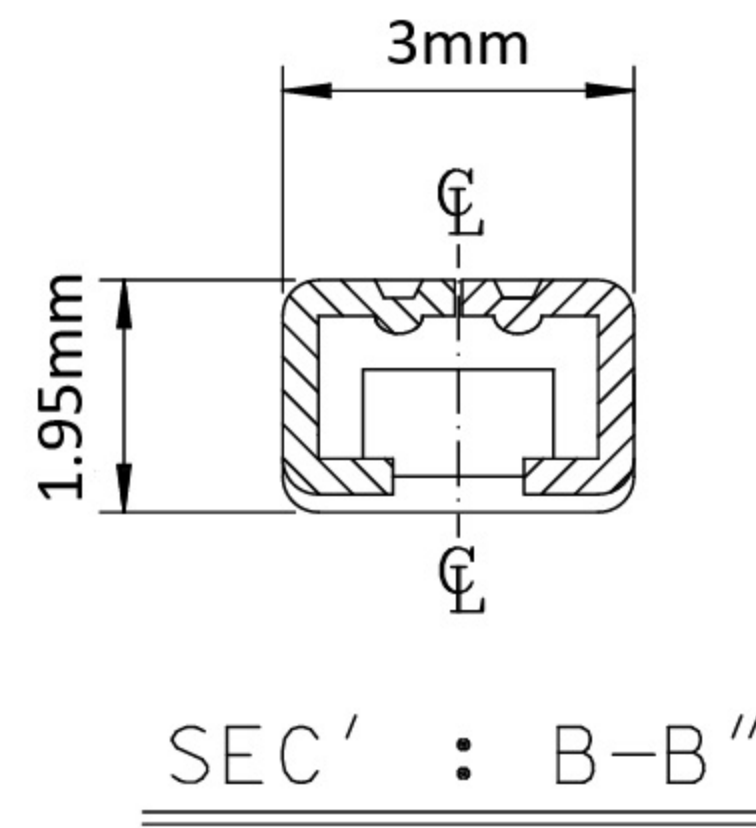
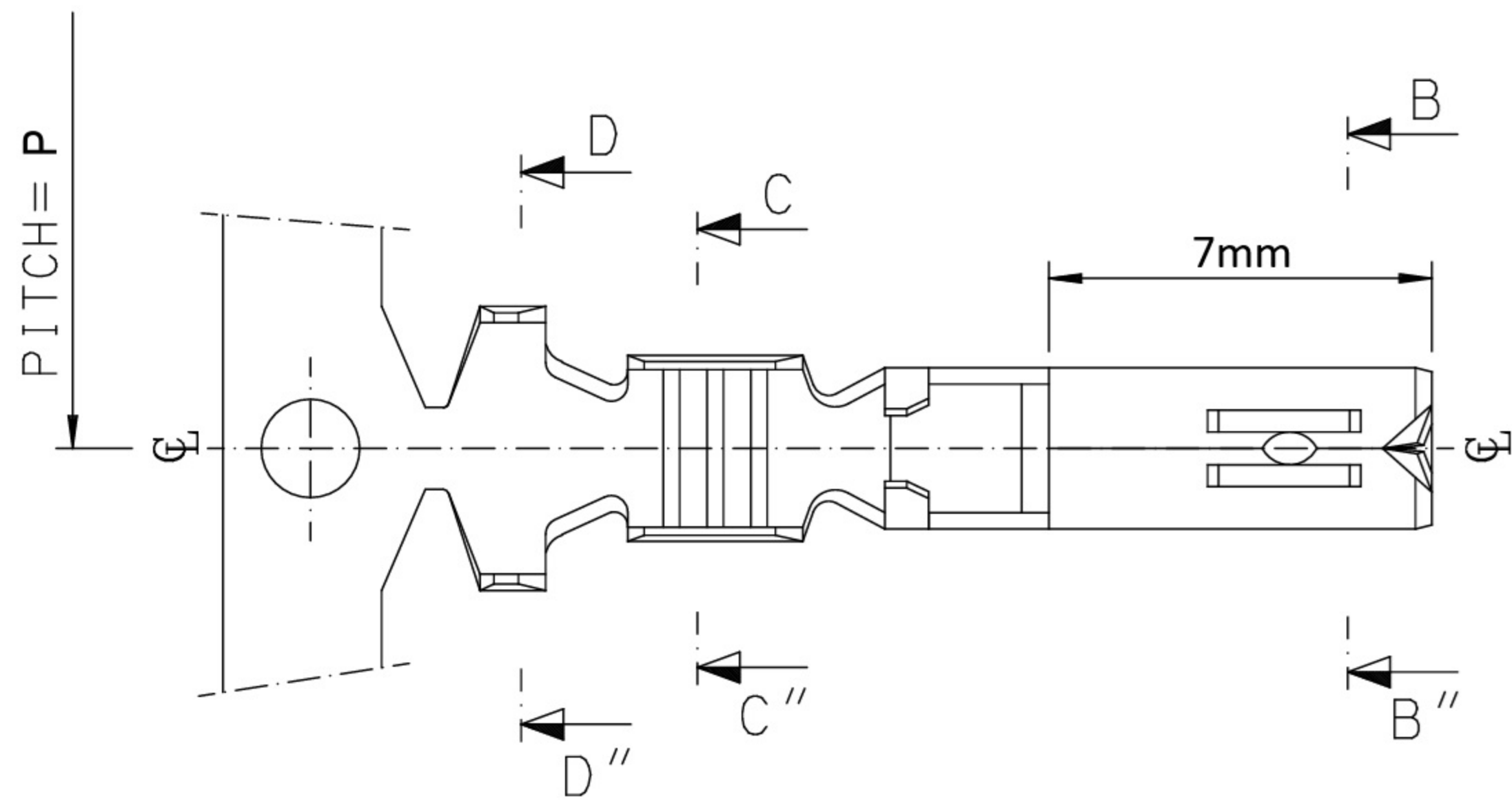
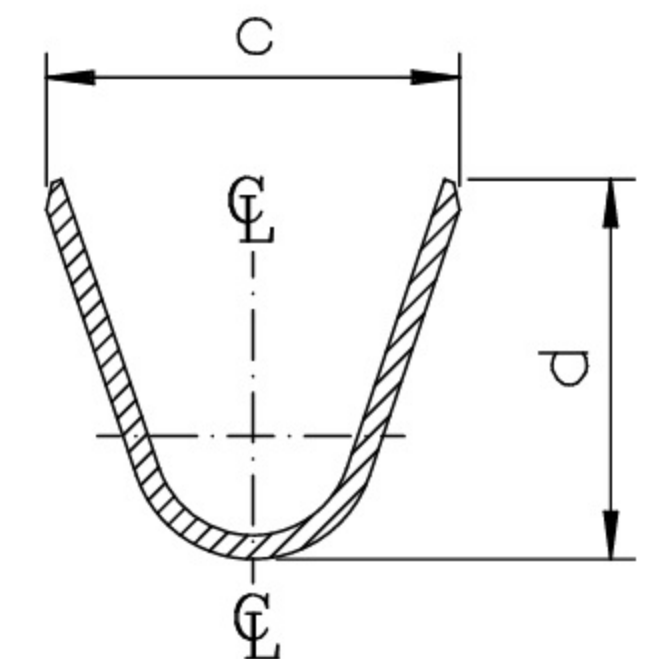


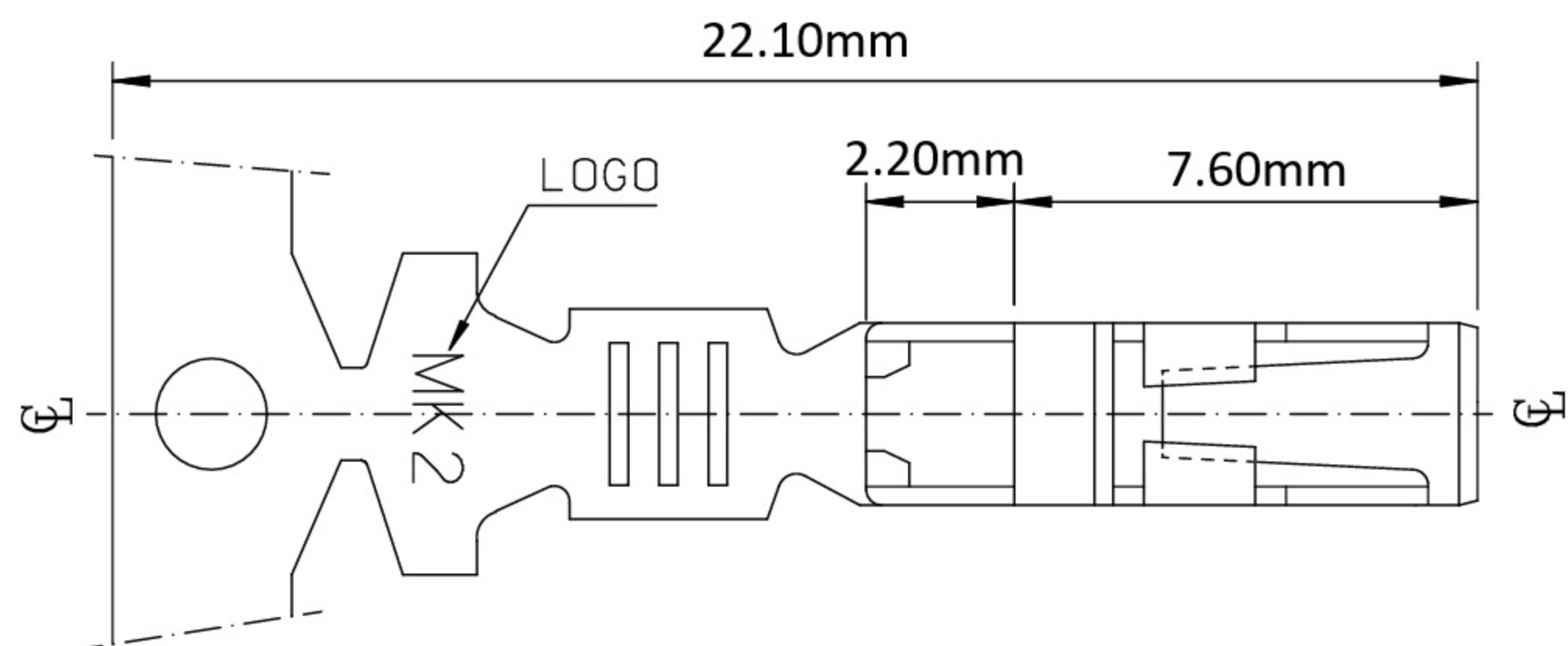
DIMENSIONS



$\text{SEC}' : C-C''$



$\text{SEC}' : D-D''$



MATERIAL NO	ENG. No.	AWG	a	b	c	d	P
357480210	35748-0210	#18-#14	3.40mm	3.80mm	5.20mm	4.80mm	12mm