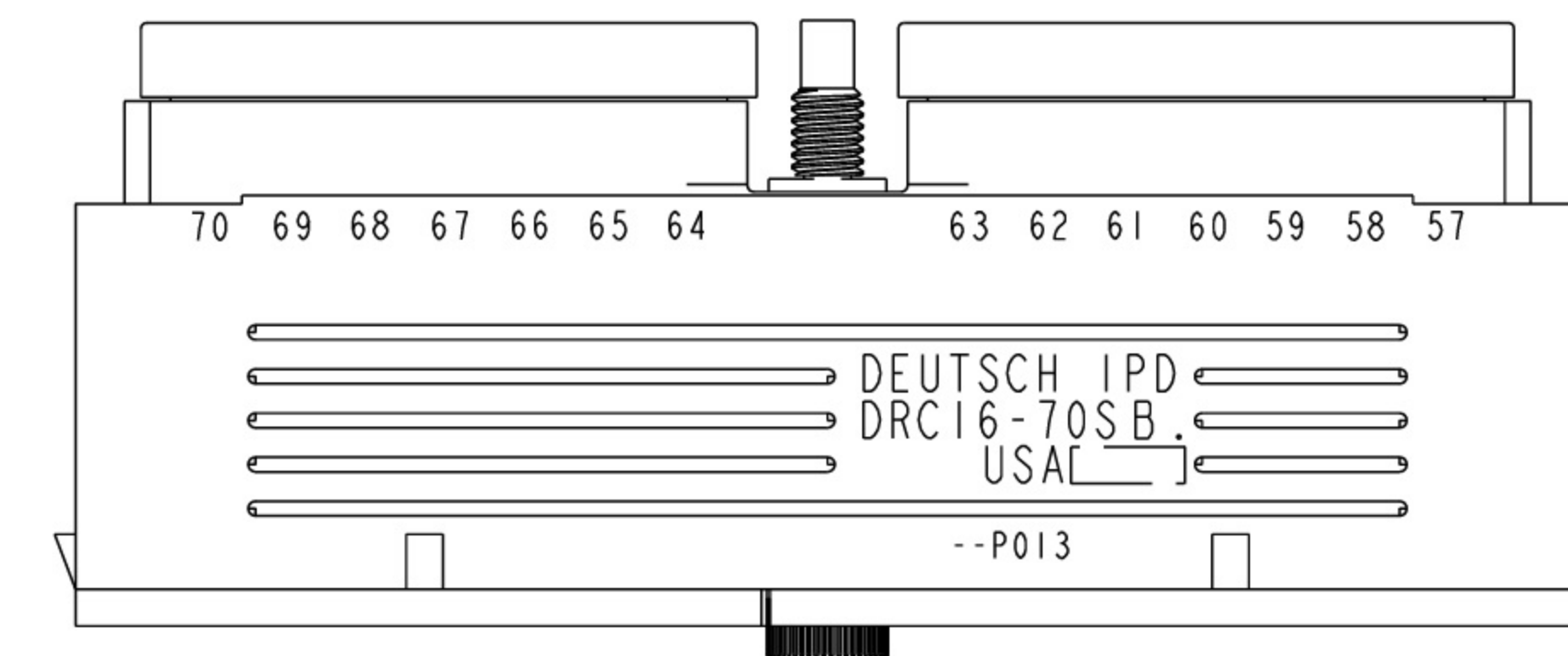
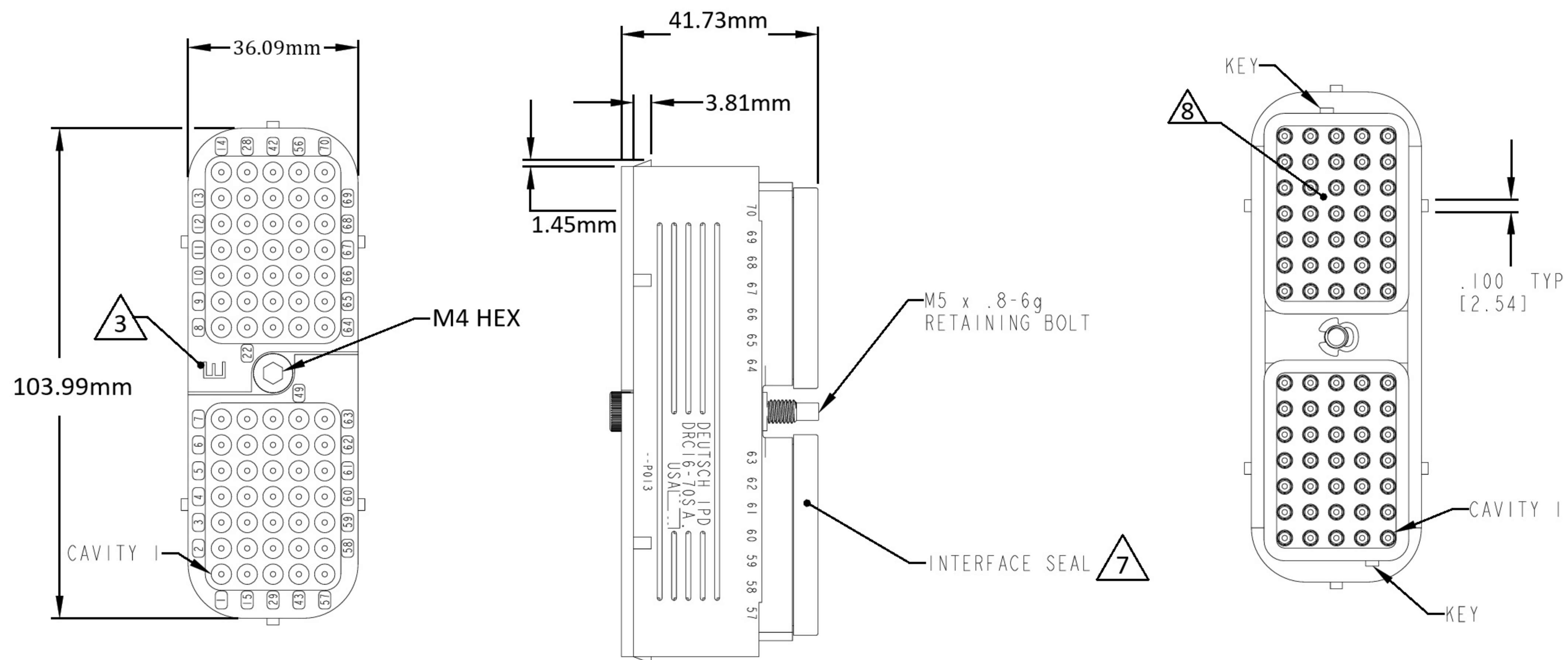


DIMENSIONS



DRC16-70SBE-P013 KEY ARRANGEMENT -B-

3. WHEN X = E: STAMPED LETTER E IDENTIFIES "E" WIRE SEAL. ORIENTATION IS OPTIONAL FOR ZONE, IT CAN BE UPSIDE DOWN.

5. MATERIAL:
PLUG: PPS GF40 (BLACK)
SEAL/GROMMET: VMQ (RED-ORANGE)
BOLT/CLIP: STAINLESS STEEL.

7. PART MODIFICATION: INTERFACE SEALS ARE BONDED TO PLUG HOUSING.

AI 8. WEB SEAL HOLES MAY NOT BE COMPLETELY ALIGNED TO THE HOLES OF CONNECTOR BODY.

| MIN. INSUL. O.D. | MAX. INSUL. O.D. | WIRE RANGE [mm ²] REF ONLY |
|------------------|------------------|--|
| 1.35mm | 3.05mm | 14 - 20 AWG |

