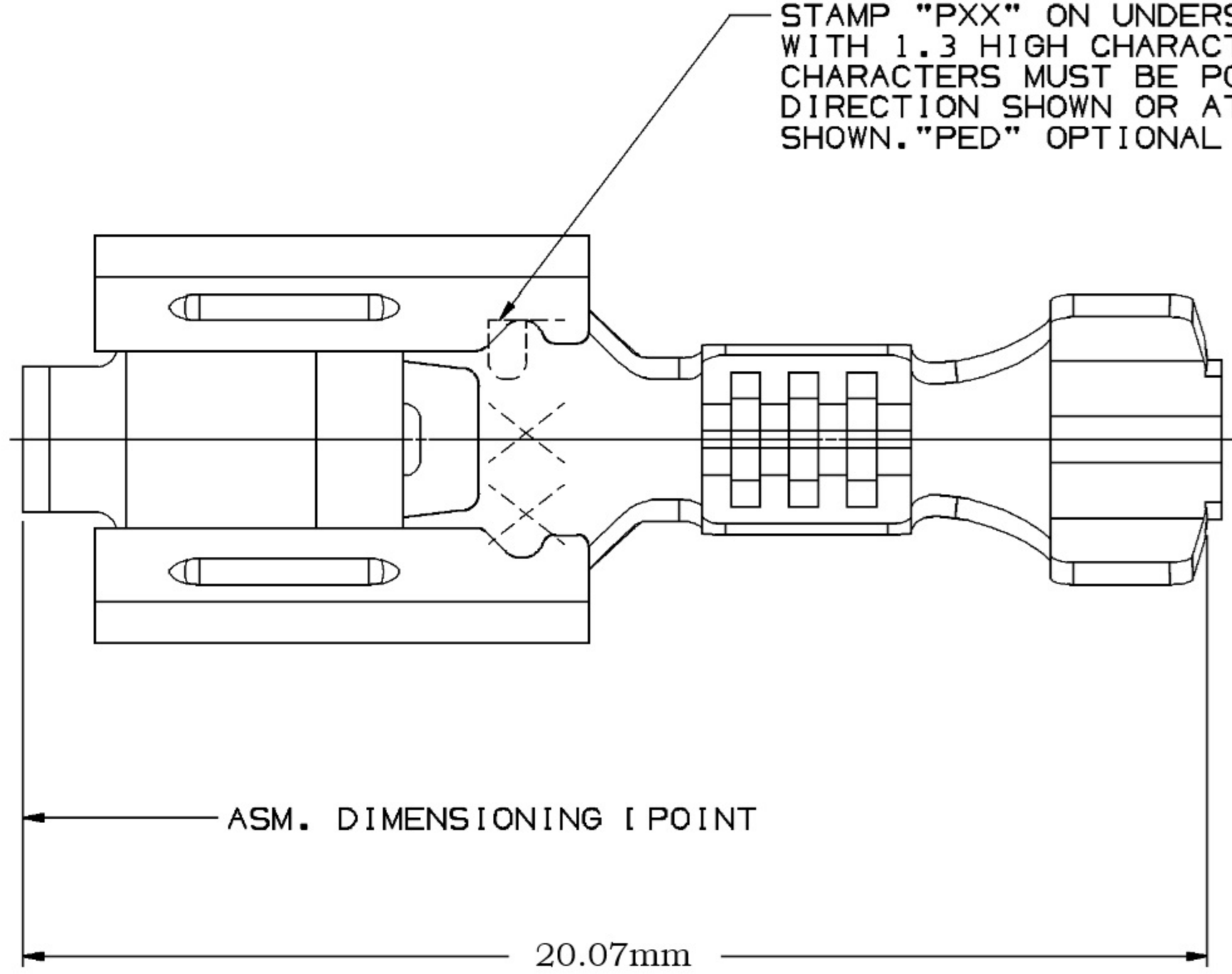


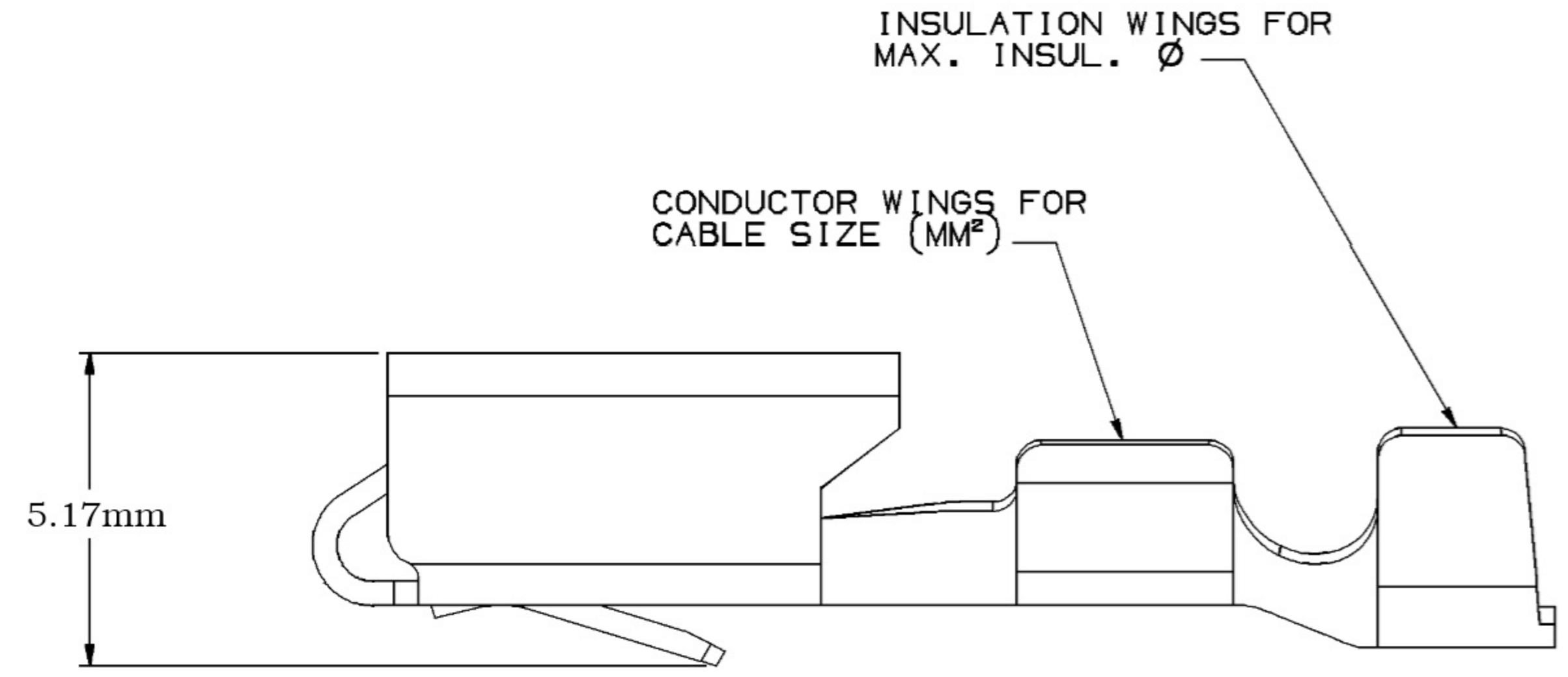
DIMENSIONS

STAMP "PXX" ON UNDERSIDE IN THIS AREA
WITH 1.3 HIGH CHARACTERS PER NOTE #6
CHARACTERS MUST BE POSITIONED IN
DIRECTION SHOWN OR AT 180° TO DIRECTION
SHOWN. "PED" OPTIONAL FOR EXISTING TOOLS.



INSULATION WINGS FOR
MAX. INSUL. Ø

CONDUCTOR WINGS FOR
CABLE SIZE (MM²)



TYPE 101

