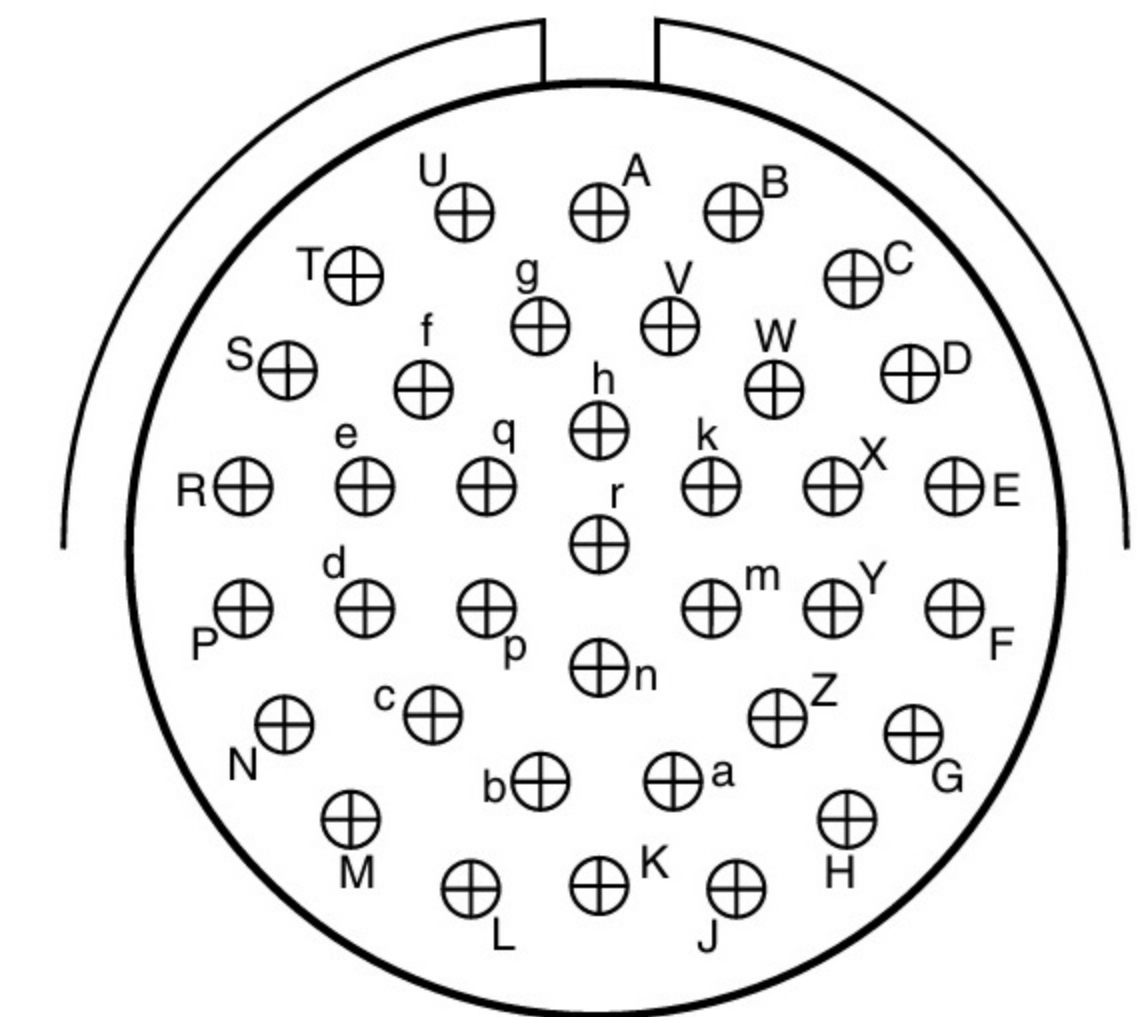
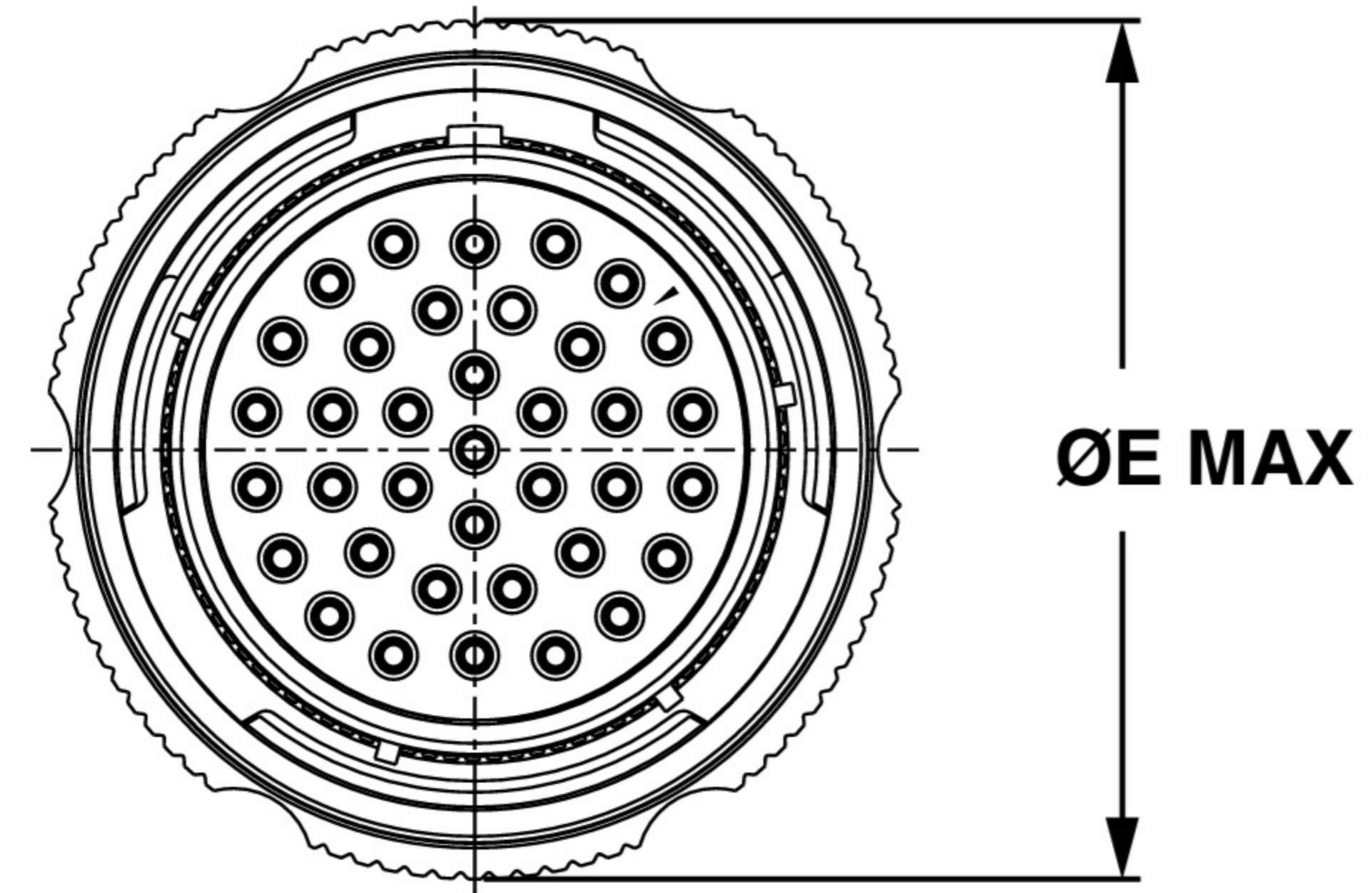
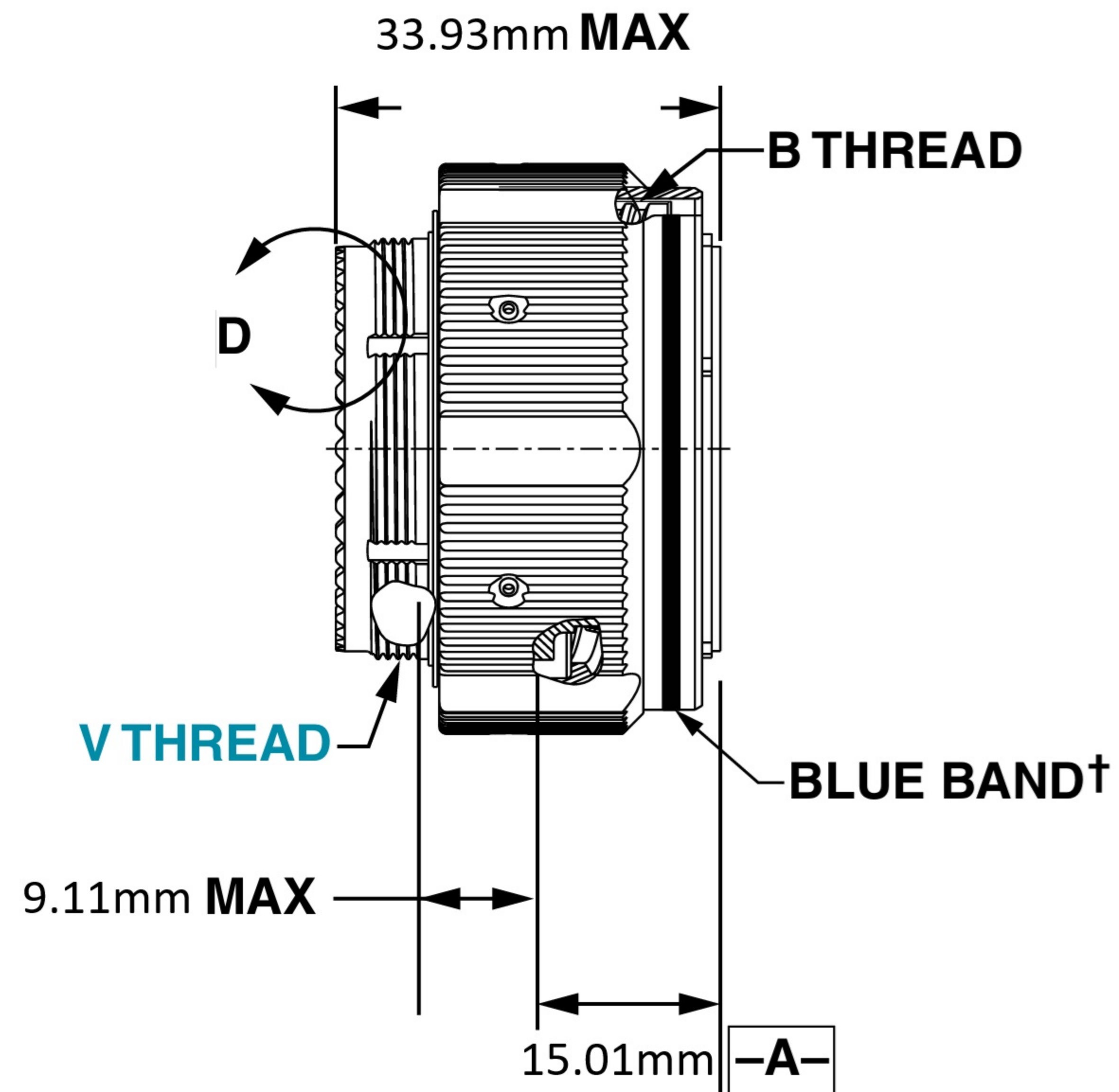


# DIMENSIONS



Shell Size	B Thread 0.1-03L-TS-2B (Plated)	E Dia. Max.	Q Dia. Max. Metric	V Thread Metric.
<b>25</b>	41.27mm	50.16mm	50.10mm	M37X1-6g

Shell Size &  
Insert Arrg. for:  
**Series III TV**  
Service Rating  
Number of Contacts  
Contact Size

**25-37**

**I**

**37**

**16**