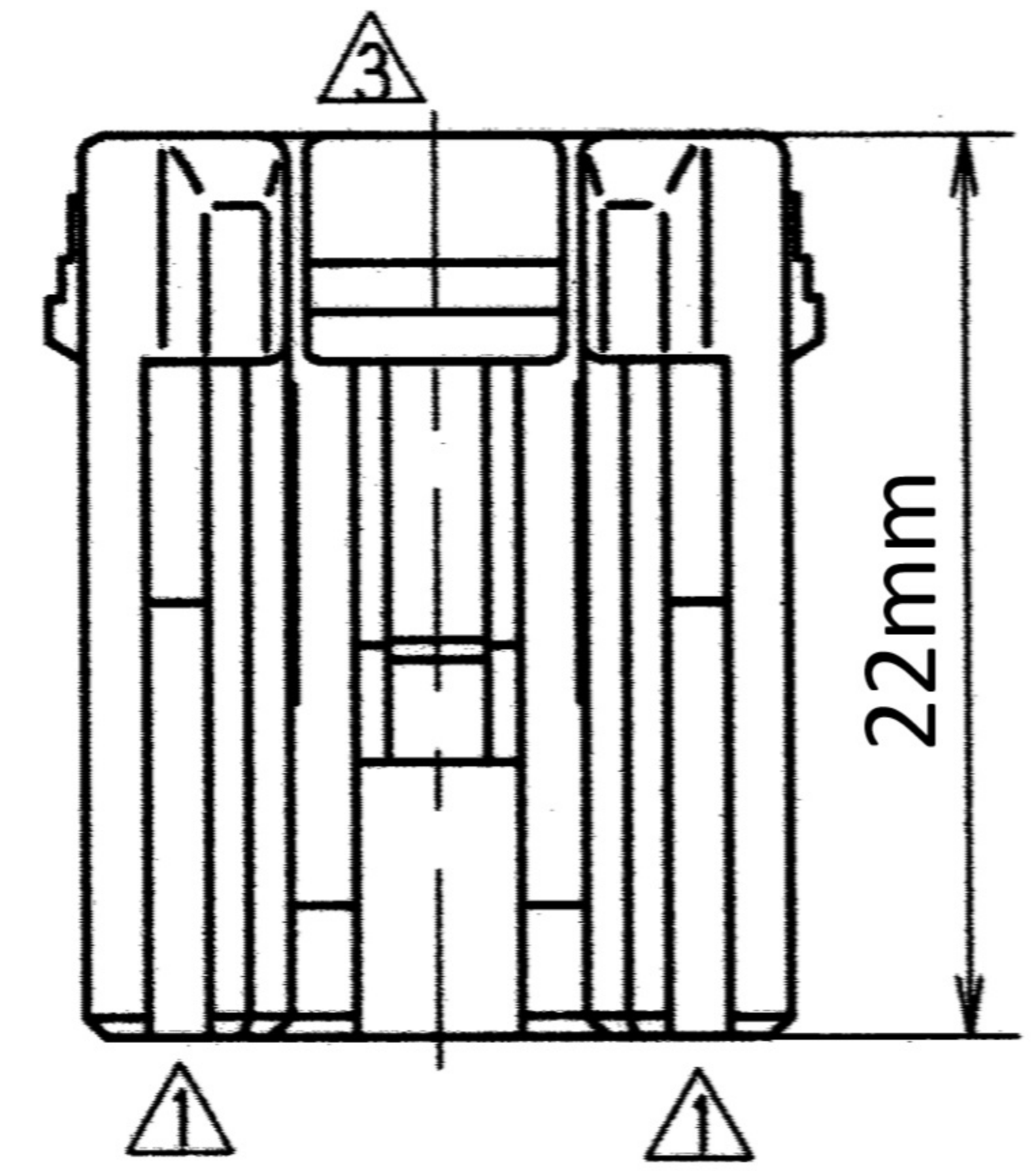
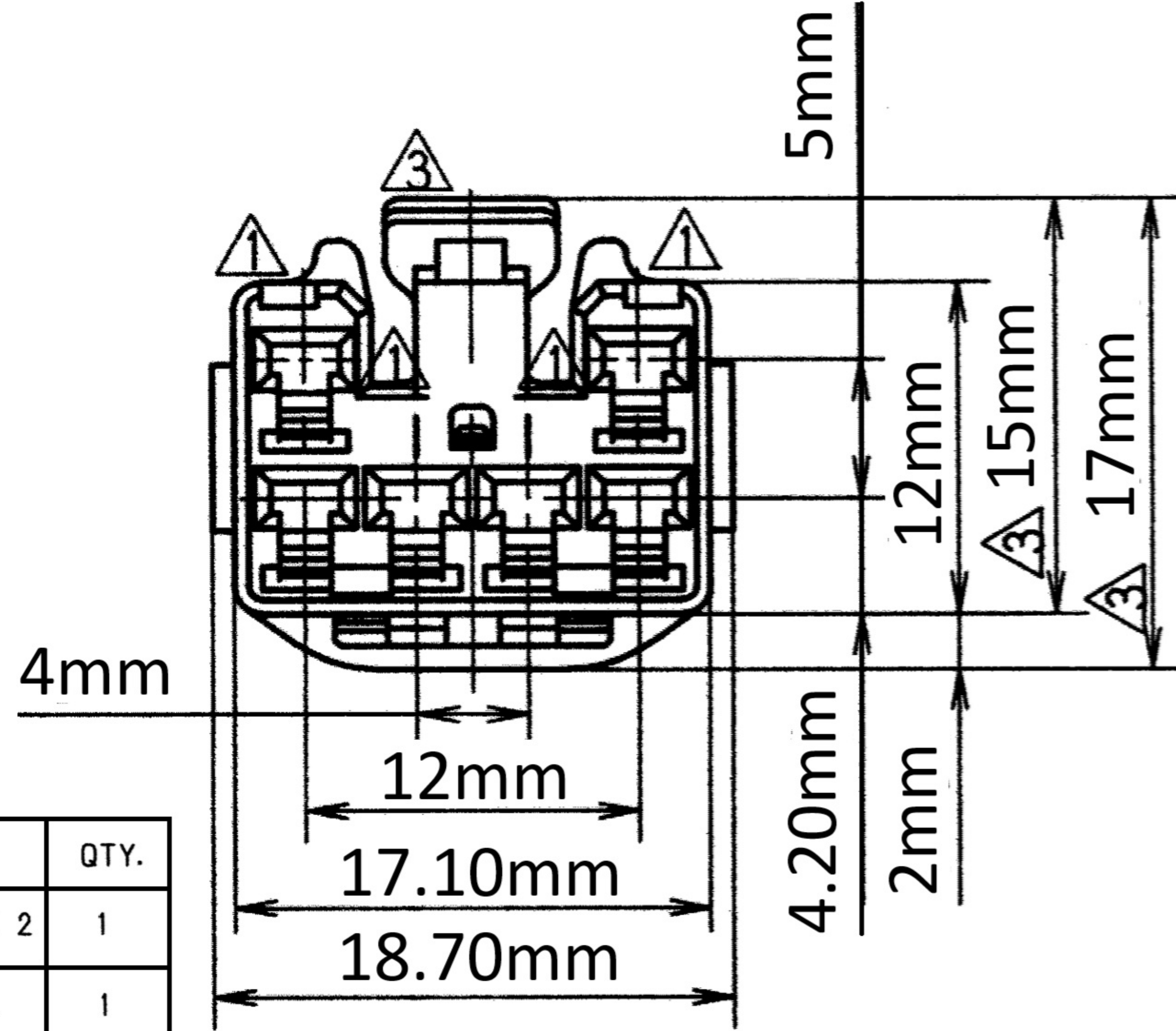
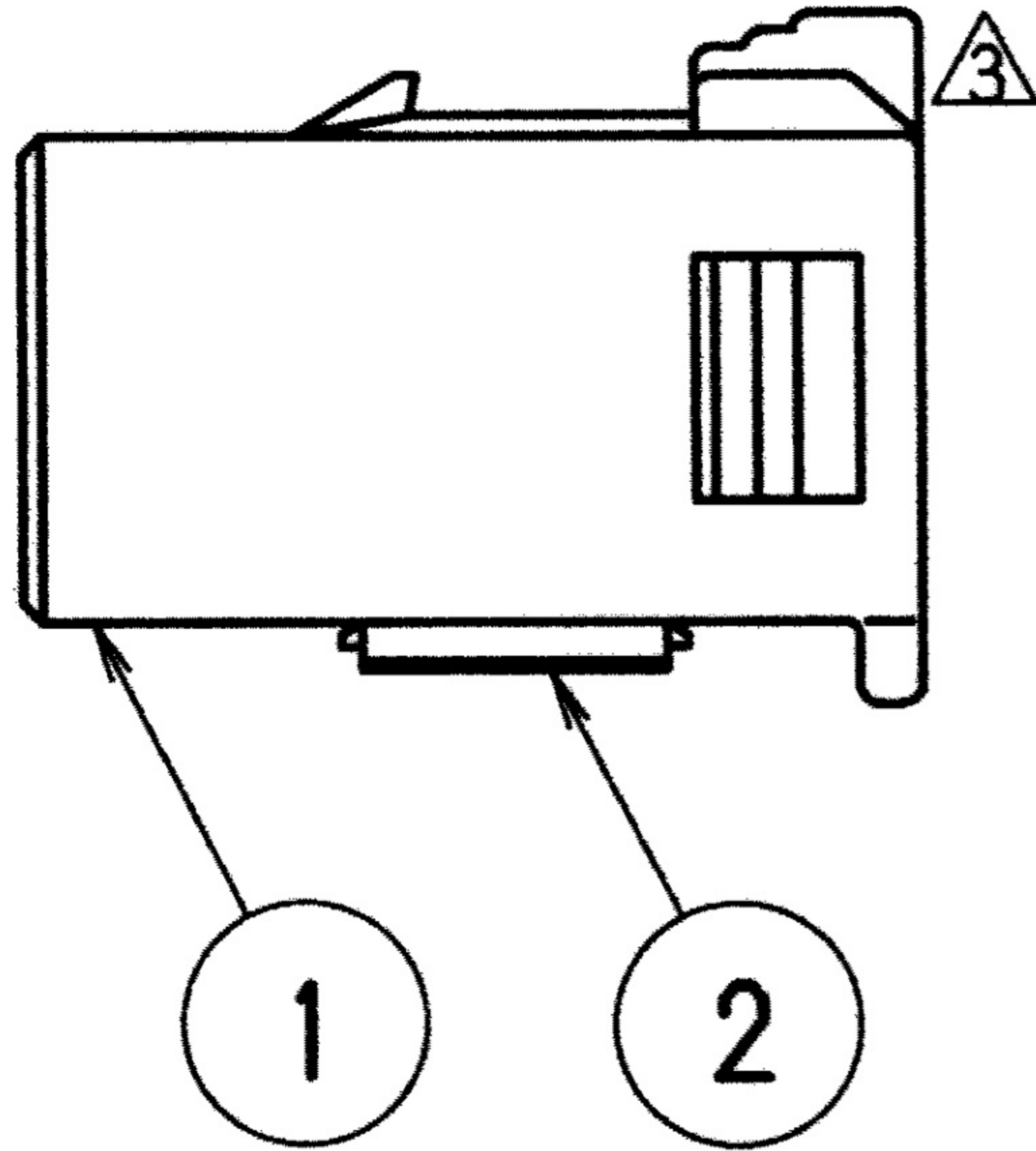


DIMENSIONS



SUB ASSEMBLY PART NO.	NO.	PART NO.	MATERIAL	COLOR	QTY.
7283-1060 ETC.	①	SEE TABLE 2	△ HPA	SEE TABLE 2	1
	②	7157-4021 (7B57-4021) △	△ HPA	△ NATURAL	1