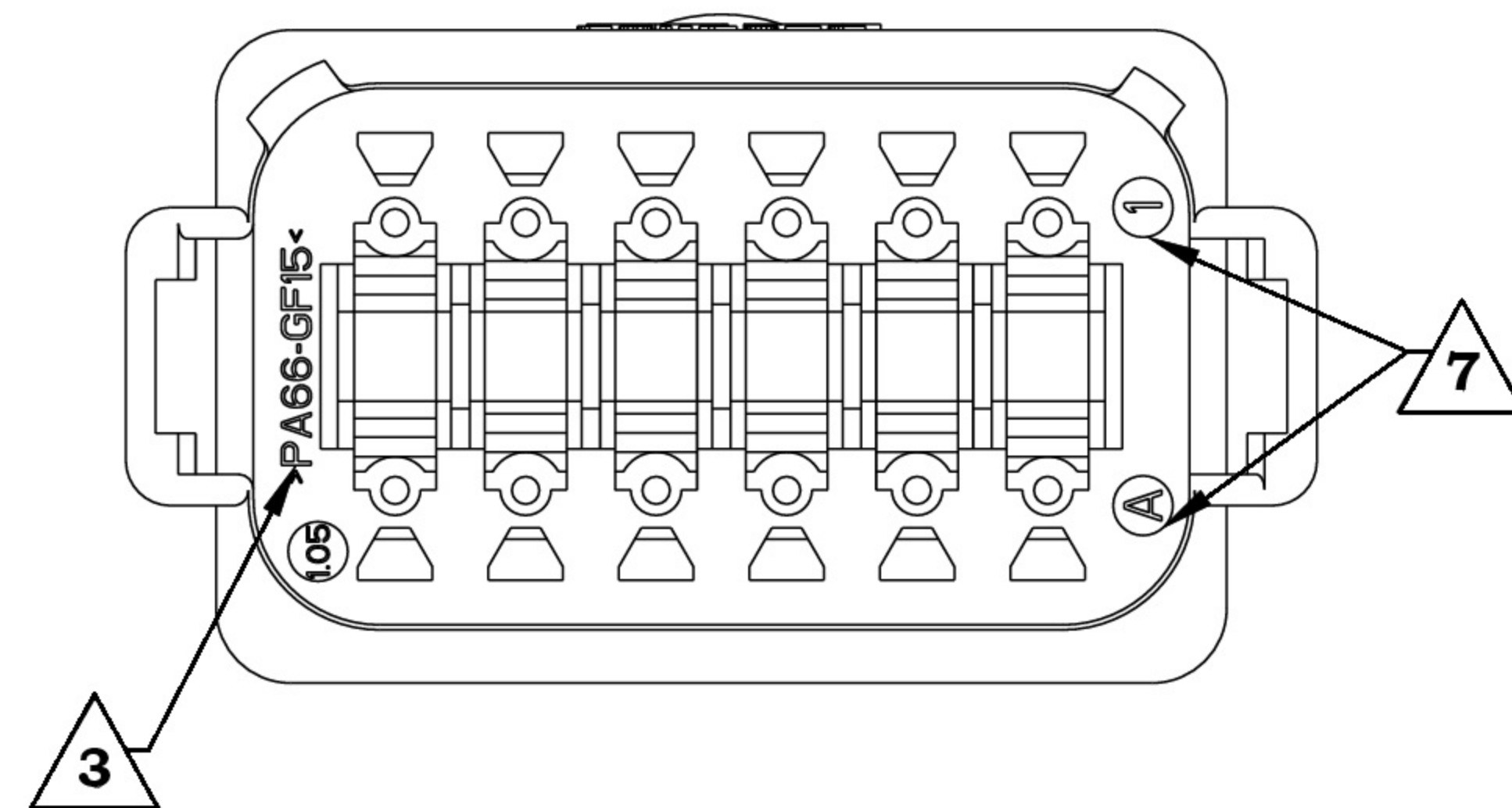
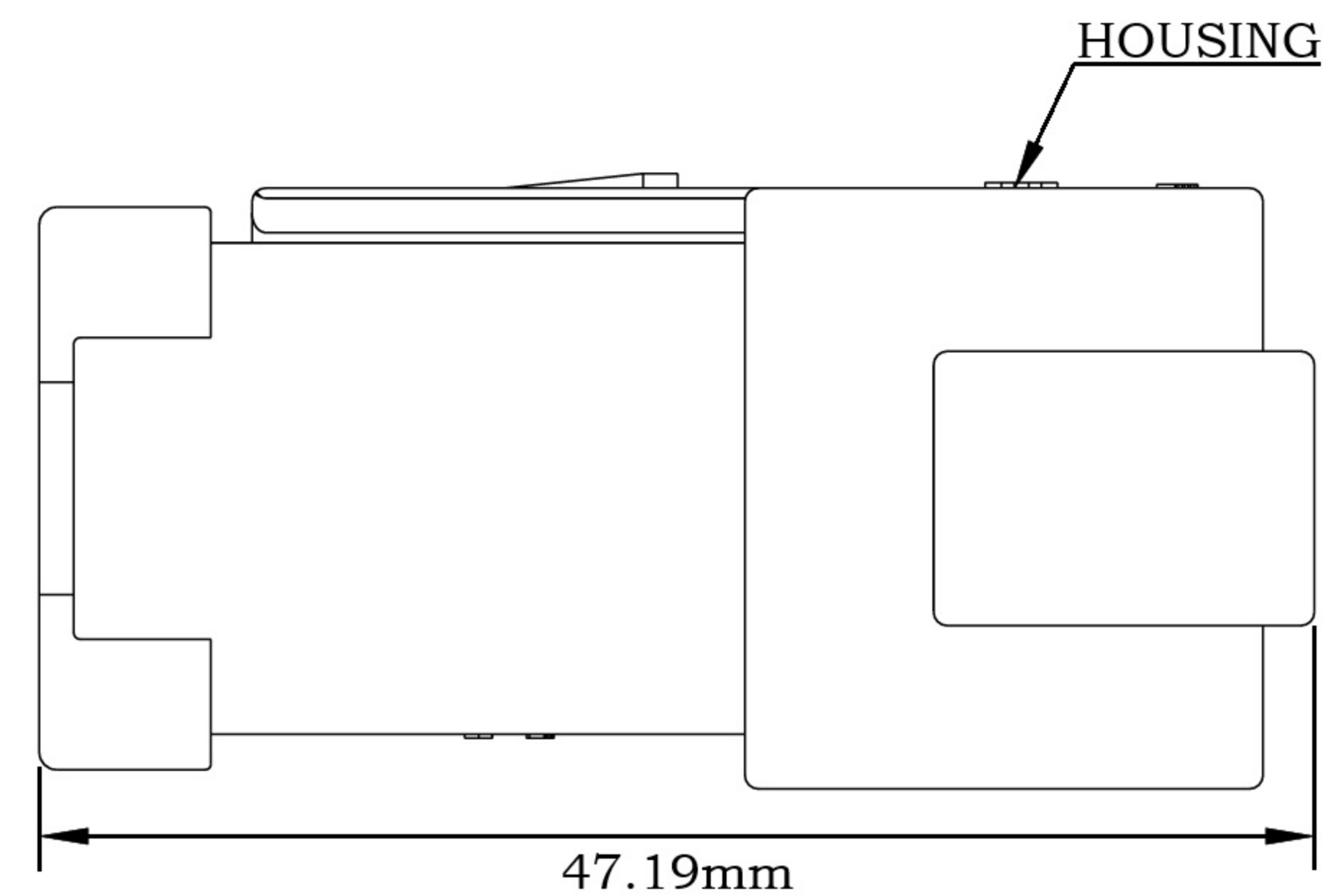
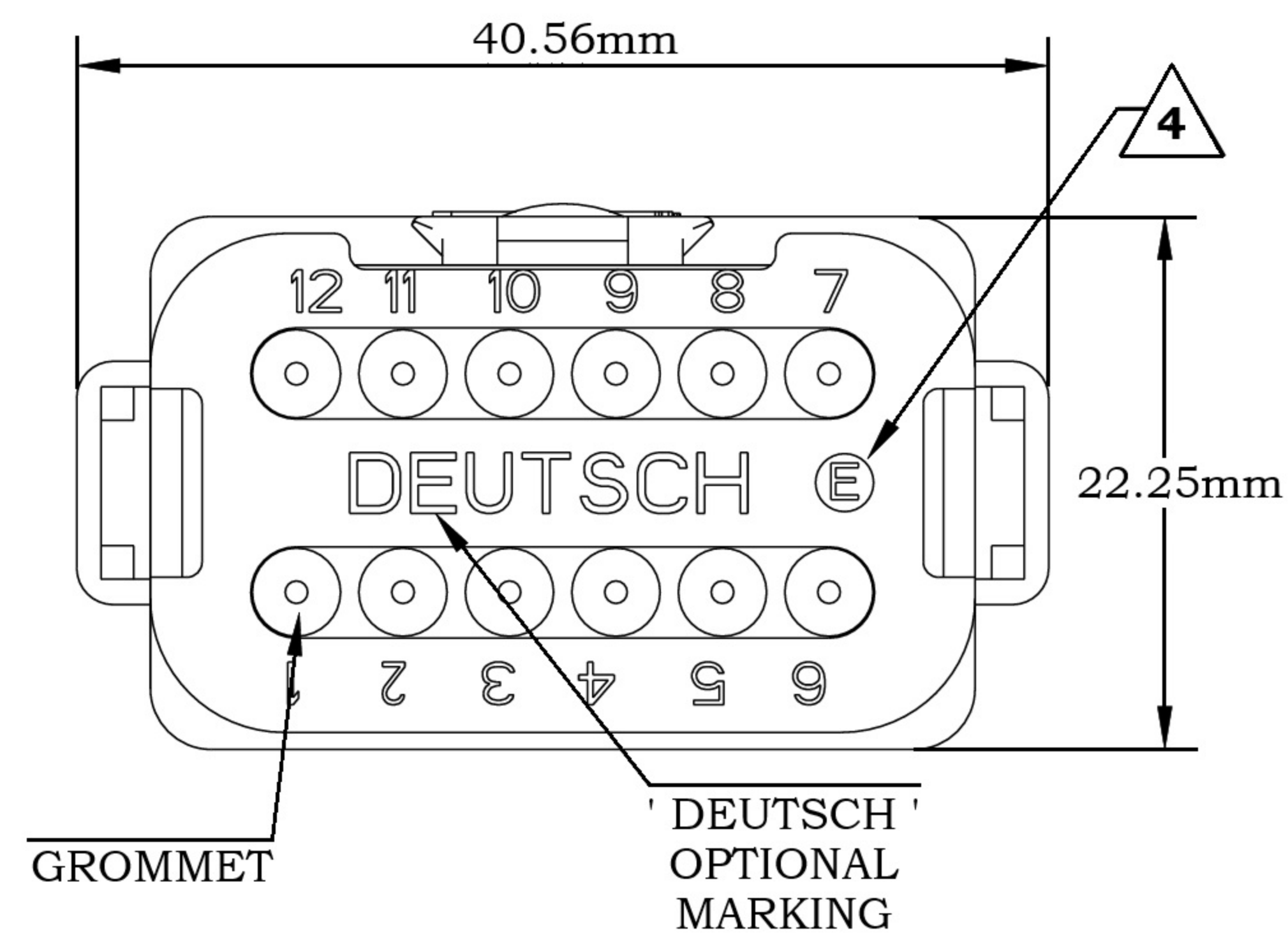
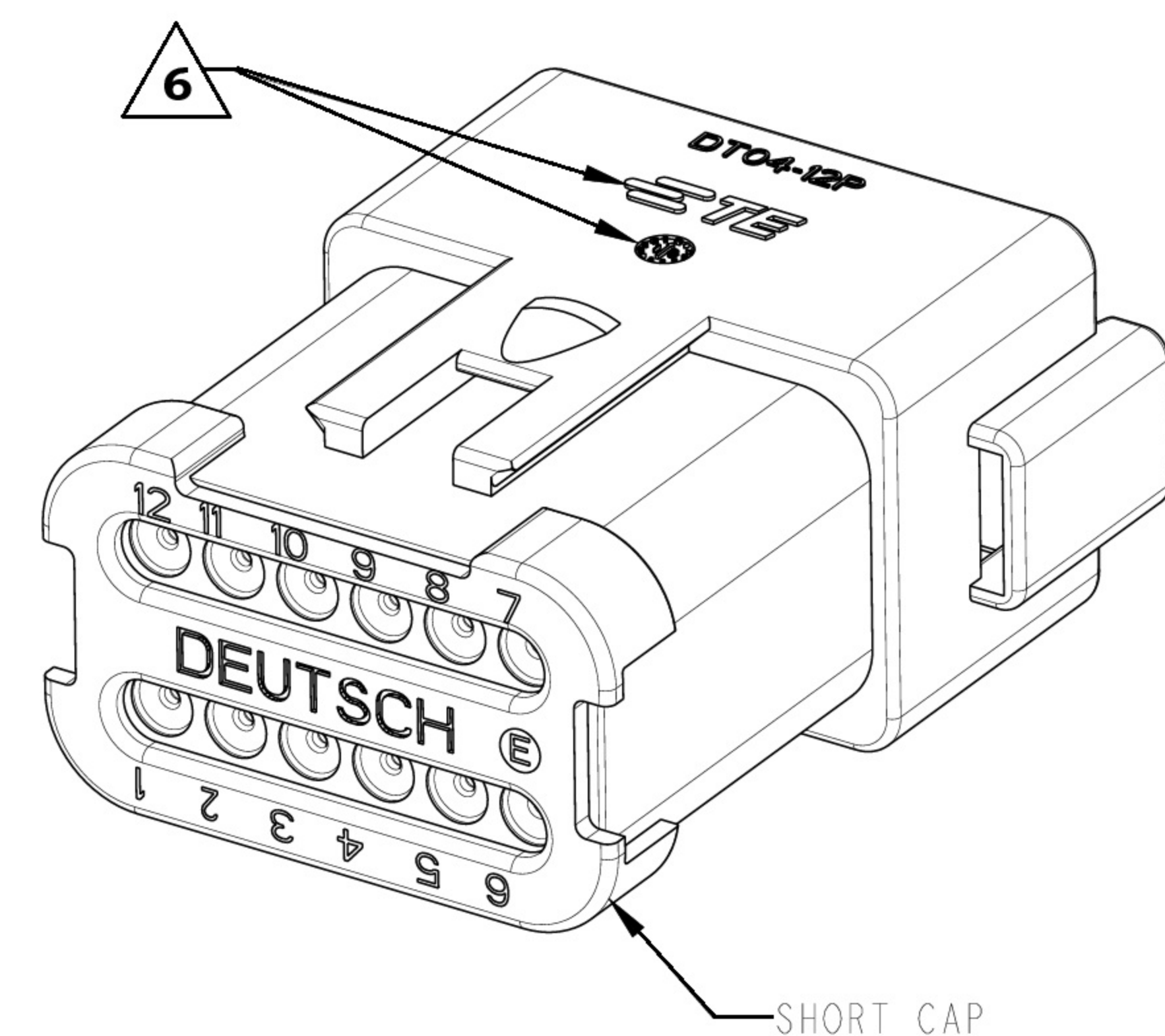
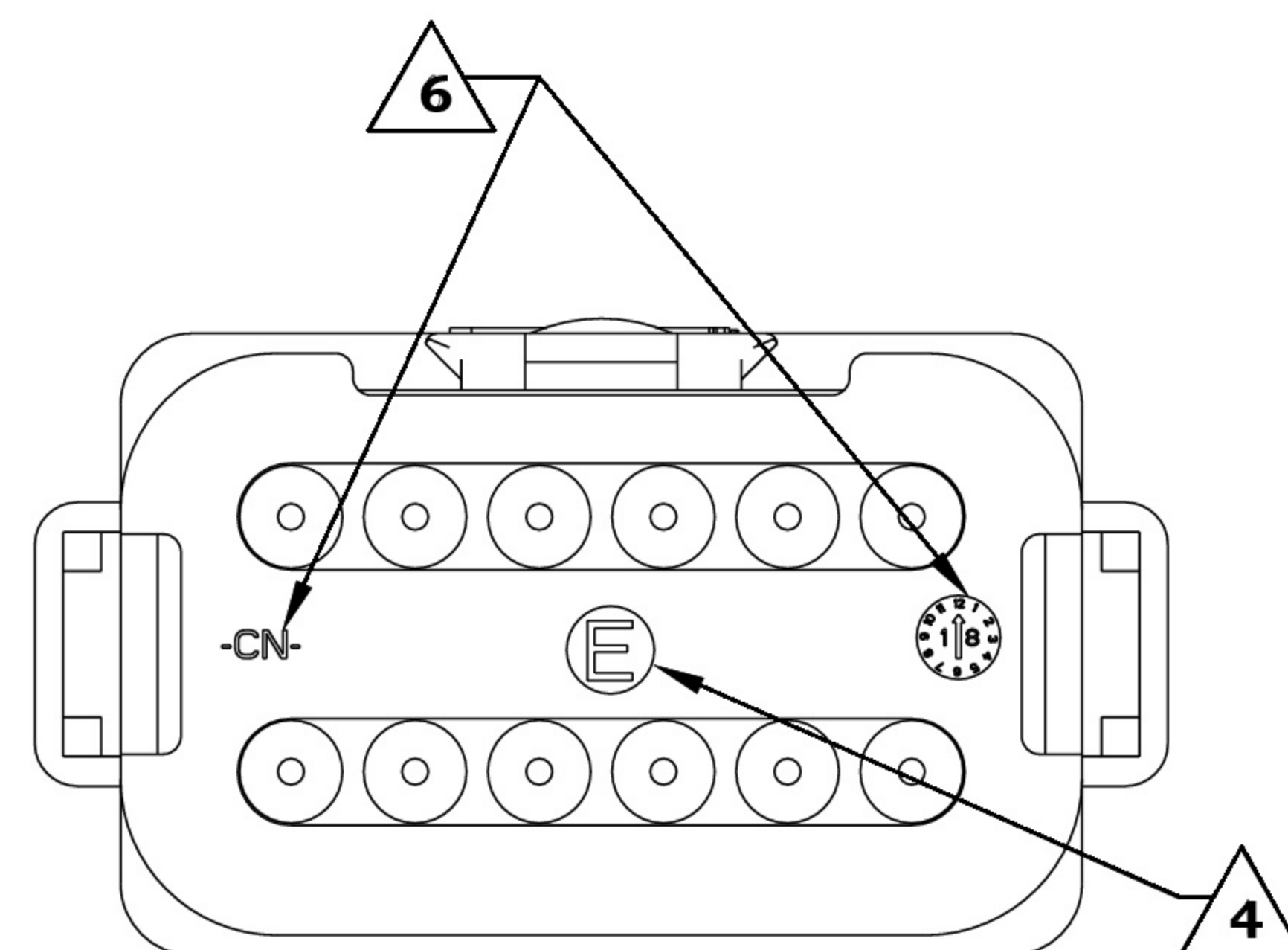
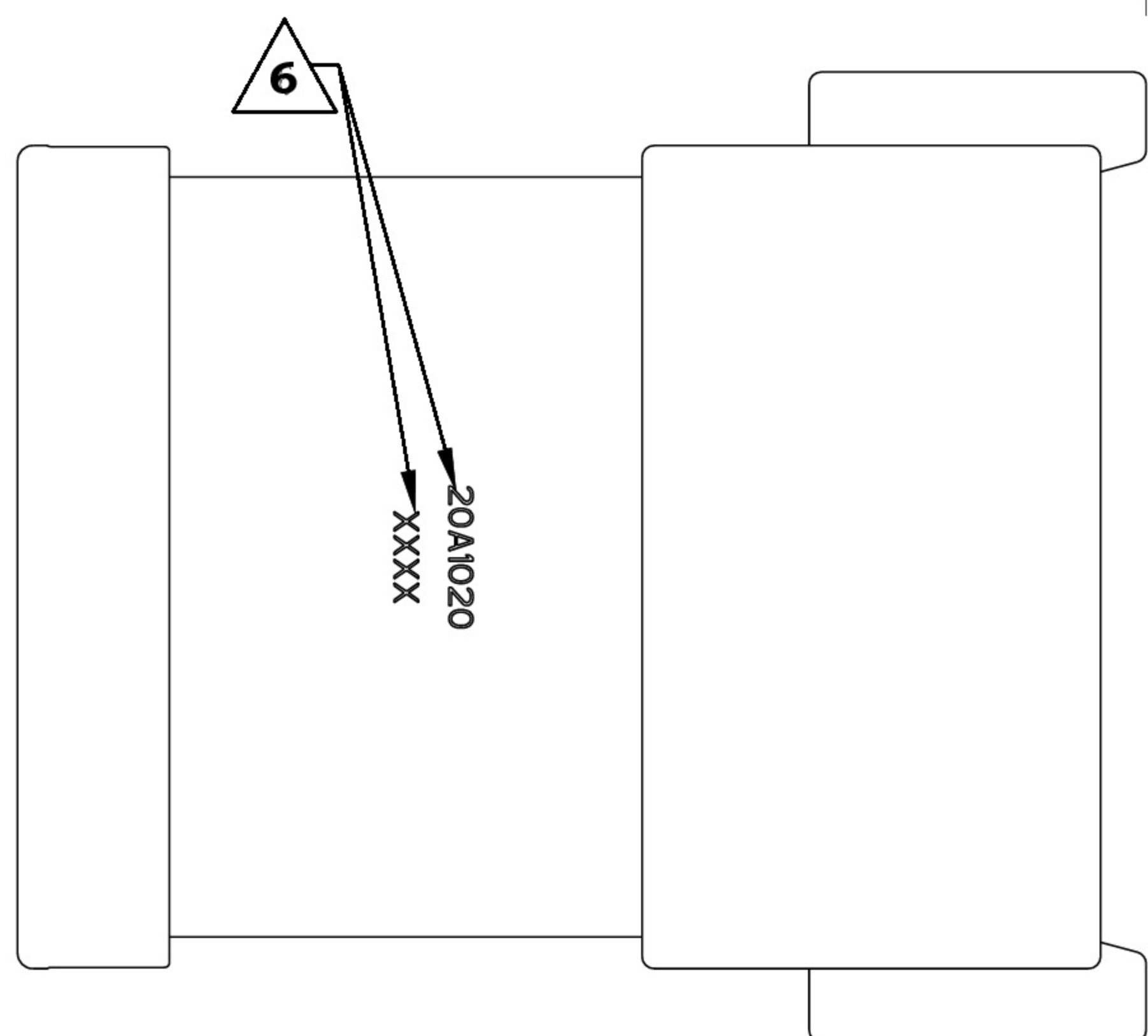
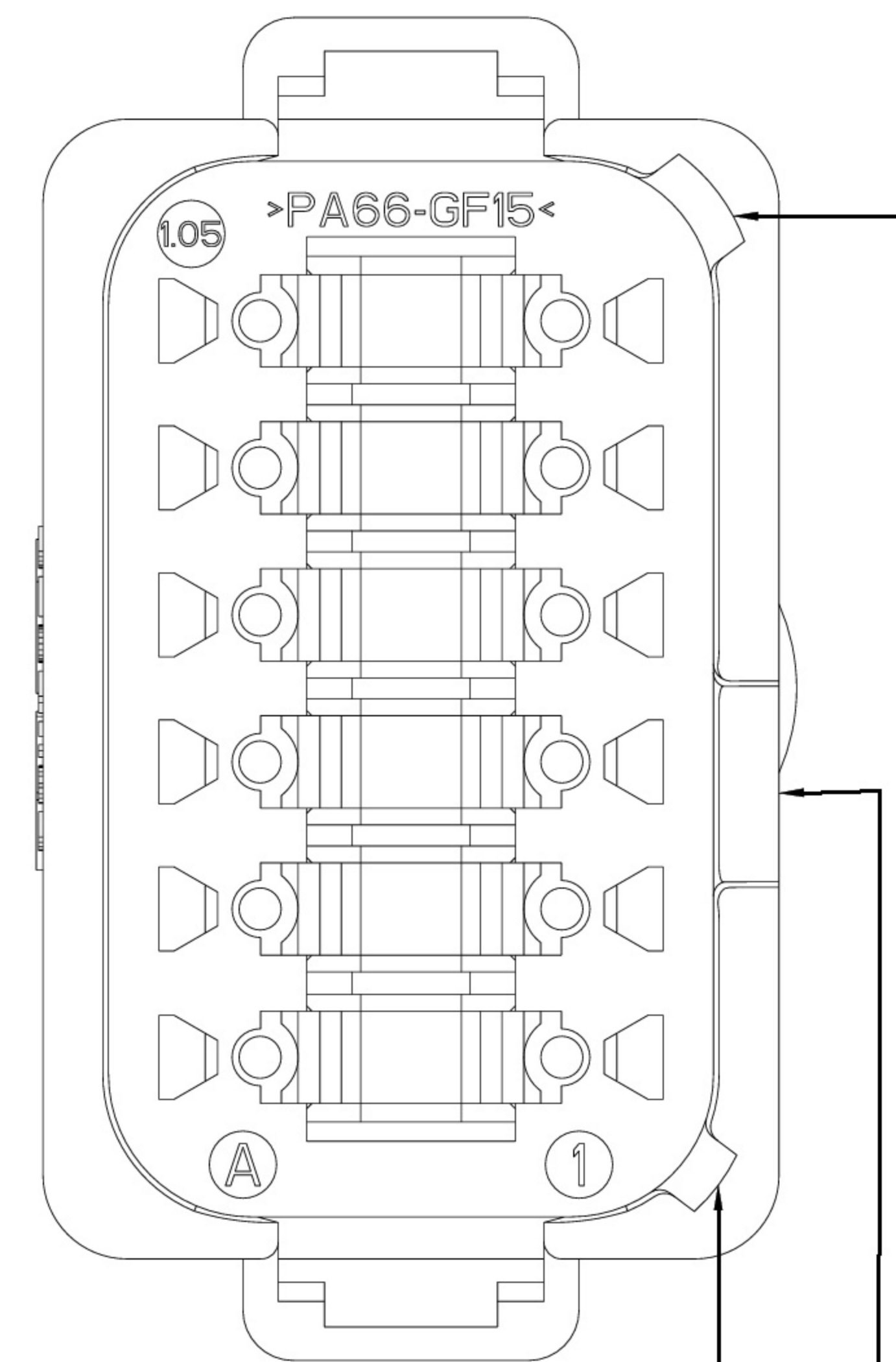


# DIMENSIONS



DT04-12PA-XXXX  
KEY -A-  
HOUSING COLOR: GRAY  
SEE PN TABLE FOR BLACK PN



7 MARKING FOR PARTS PRODUCED IN US:  
-DATE CODE:  
YEAR TO BE LAST NUMERICAL DIGIT, EX: 1 = 2021  
MONTH USES SEQUENTIAL ALPHA CHARACTERS, EX: A = JANUARY  
-DEUTSCH

6 MARKING FOR PARTS PRODUCED IN CHINA:  
  
-XXXX IDENTIFIES THE MODIFICATION NUMBER,  
IF APPLICABLE. EXAMPLE: "E003" FOR DT04-12PA-E003,  
OR BLANK FOR DT04-12PA  
  
-DATE CODE: IDENTIFIES THE YEAR, MONTH, DAY AND HOUR OF ASSEMBLY.  
YEAR: FIRST AND SECOND DIGIT. (17 = 2017)  
MONTH: THIRD DIGIT, EXCLUDING I. A = JAN, B = FEB,  
C = MARCH ... (K = OCTOBER)  
DAY: FOURTH AND FIFTH DIGITS (14 = 14th DAY)  
HOUR: SIXTH AND SEVENTH DIGITS (11 = 11AM)  
  
-DIAL DATE CODE LOCATED ON HOUSING AND/OR CAP.  
-CN LOCATED ON HOUSING AND/OR CAP.

4 "E" IDENTIFIES E-SEAL, LOCATED APPROX. AS SHOWN.

3 MATERIAL: HOUSING: PA66 GF15, SEE TABLE FOR COLOR  
SHORT, LONG CAP: PA66 GF15, BLACK  
GROMMET: E-SEAL VMQ (BURNT RED)  
N-SEAL VMQ (RED-ORANGE)  
BLOCKED VMQ (RED-ORANGE)

CONTACT SIZE	WIRE RANGE	INSULATION OD SEALING RANGE	SEAL IDENTIFICATION
16	14 - 20 AWG	2.23mm - 3.68mm	STANDARD SEAL
		1.35mm - 3.05mm	EXTRA THIN SEAL E-SEAL

KEY -A-  
ADDITIONAL KEY -A-  
ENHANCED KEY ONLY