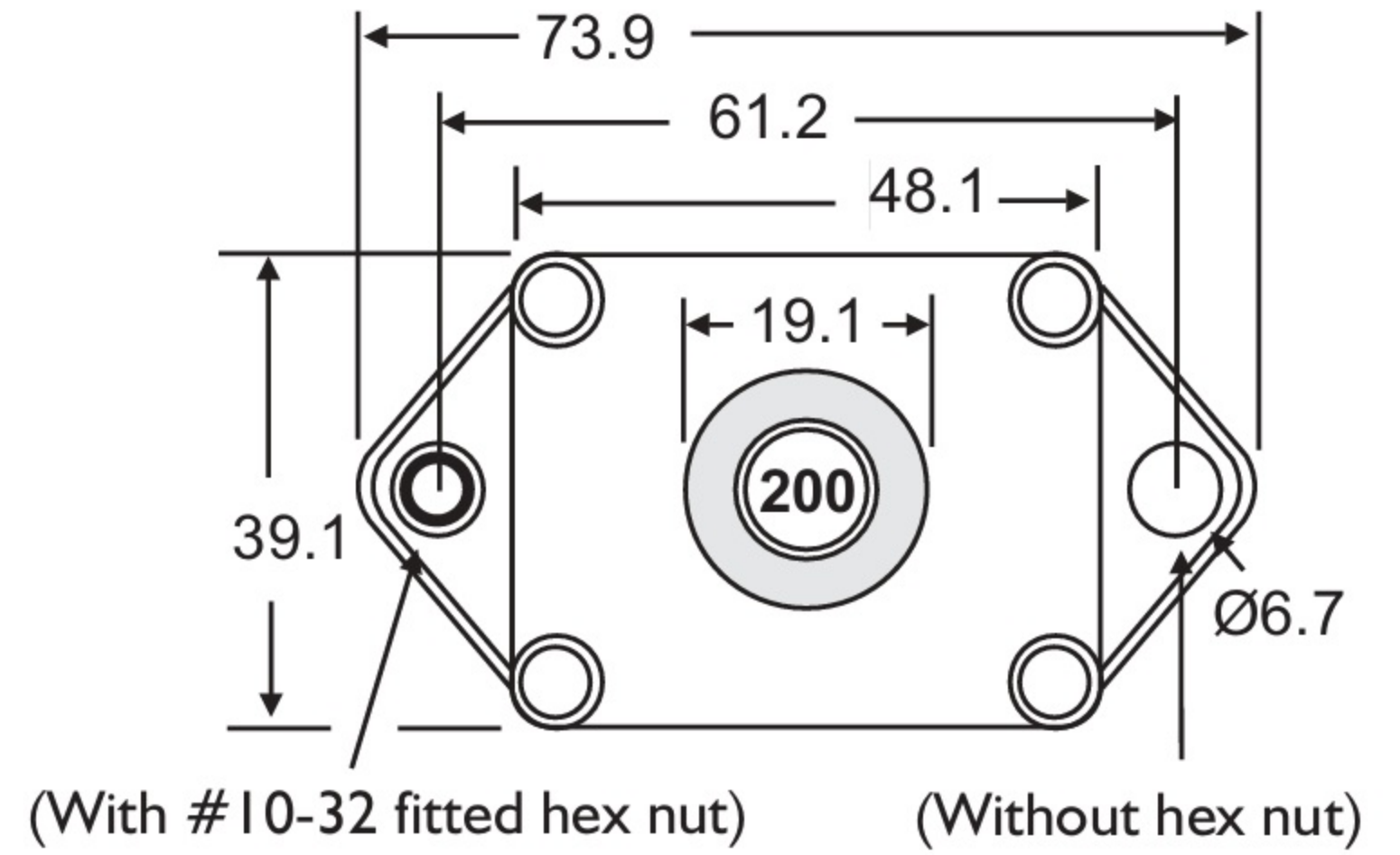
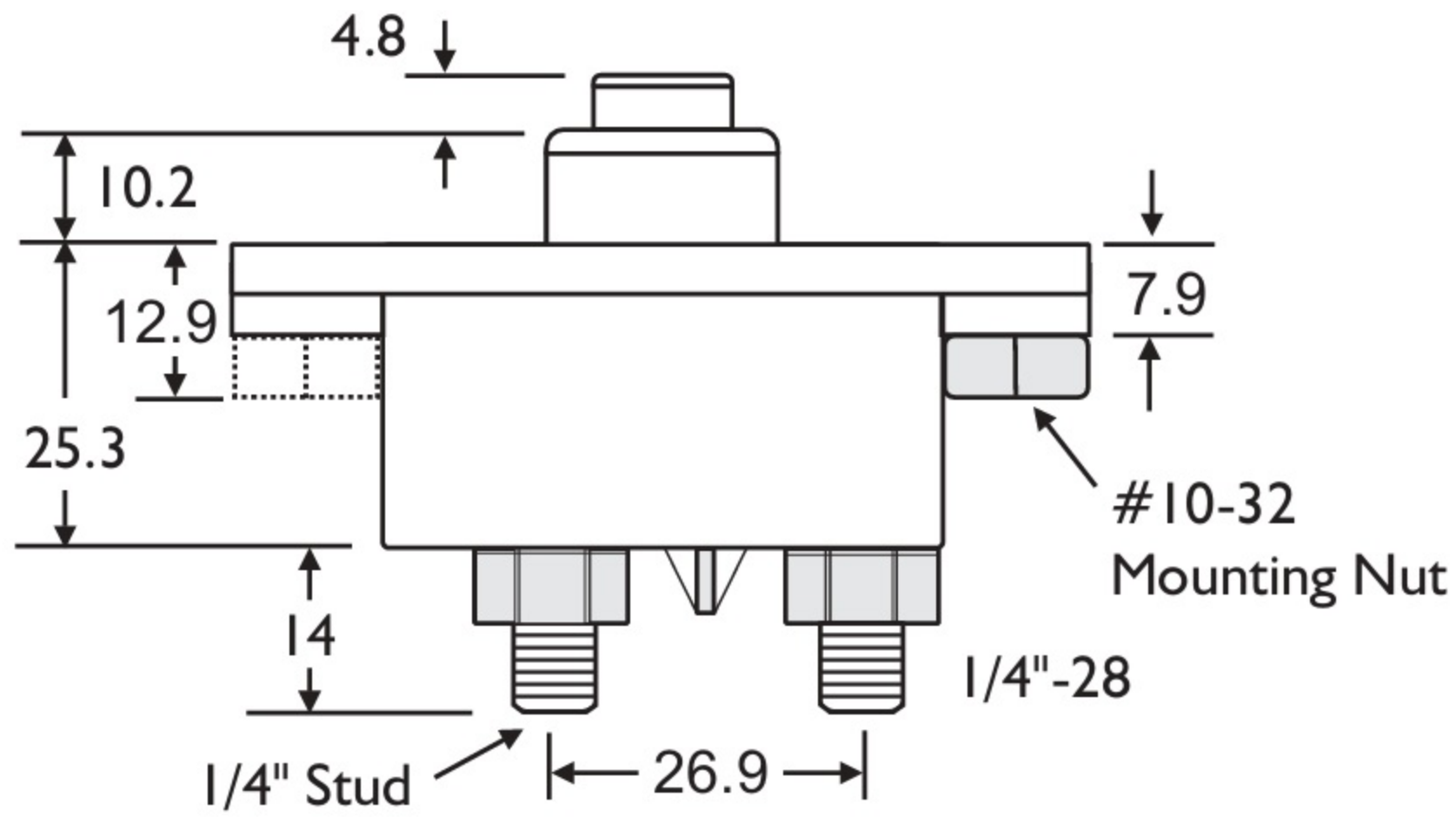
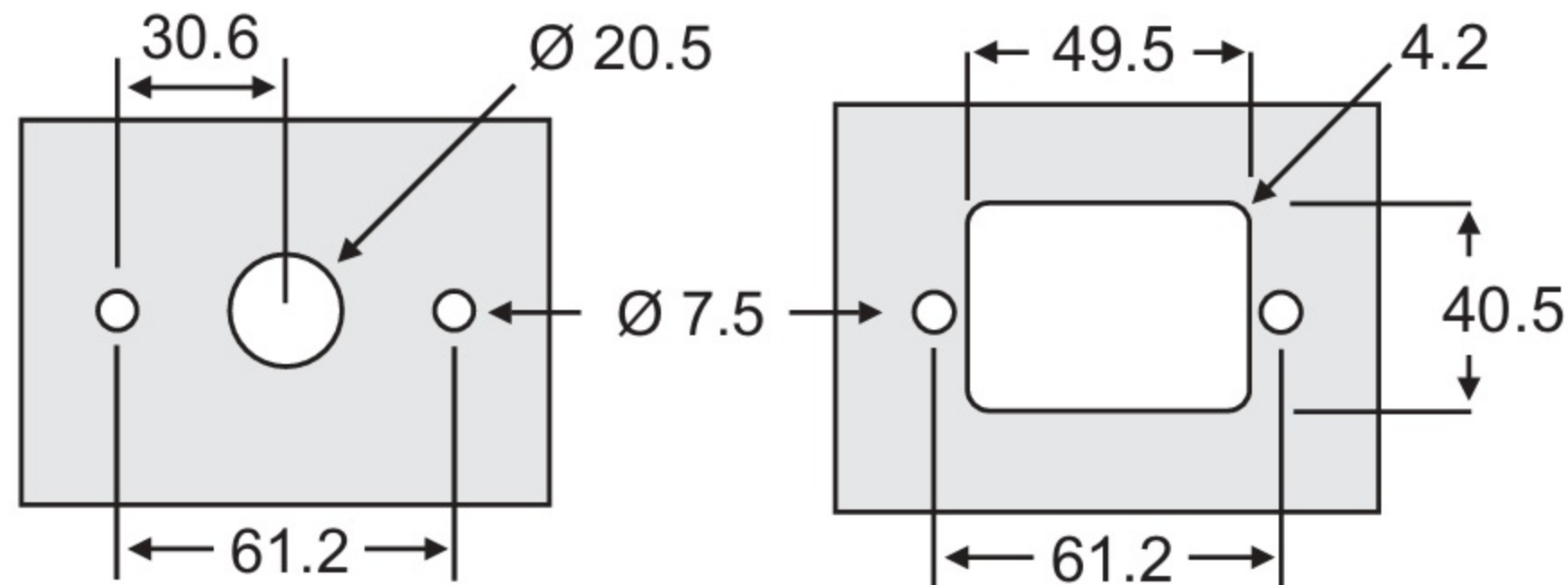


DIMENSIONS



**Front Mount
Panel Cut-out**

**Rear Mount
Panel Cut-out**



Dimensions in MM