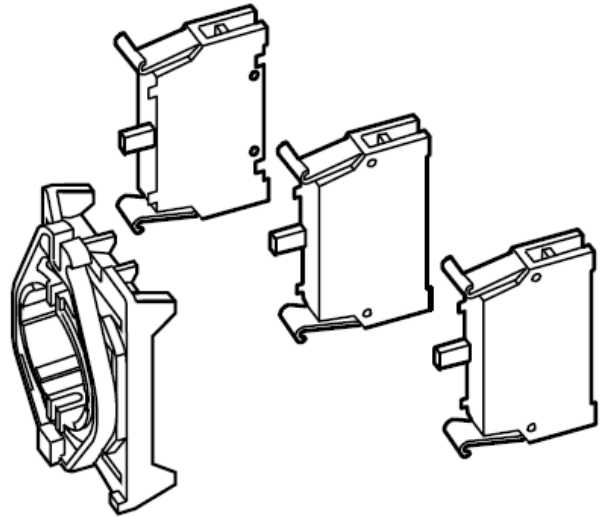


# SWITCH CONTACT BLOCK 1NC



## Mechanical Ratings

Description	2-Across Style	3-Across Style	4-Across Style
Vibration (assembled to panel)	10...2000 Hz, 1.52 mm displacement (peak-to-peak) max./10 G max. 6 hr	10...150 Hz, 0.15 mm displacement (peak-to-peak) max./2 G max. 6 hr	10...2000 Hz, 1.52 mm displacement (peak-to-peak) max./10 G max. 6 hr
Shock	1/2 cycle sine wave for 11 ms and no damage at 100G min.	1/2 cycle sine wave for 11 ms and no damage at 50 G max.	1/2 cycle sine wave for 11 ms and no damage at 100 G max.
Contact block mechanical design	5,000,000 cycles		
Contact operation	N.O.: slow make, double break N.C.: slow make, double break (positive opening) N.O.E.M.: early make, double break N.C.L.B.: late break, double break (positive opening)	N.O.: slow make, double break N.C.: slow make, double break (positive opening) N.O.E.M.: early make, double break N.C.L.B.: late break, double break (positive opening)	N.O.: slow make, double break N.C.: slow make, double break (positive opening)
Operating forces (typical)	2.78 N: all contact blocks	3.6 N: each N.O. contact block 2.6 N: each N.C. contact block	1.9 N: each N.O. contact block 1.7 N: each N.C. contact block
2-circuit contact block	—	—	2.9 N: each 2 N.O. 2.6 N: each 2 N.C. or 1 N.O. - 1 N.C.