

DESCRIPTION: 17/2 - 20/2 TPU CABLE 80C 300V		UNITS: IN	SCALE: 12:1	ITEM	SPECIFICATIONS
---	--	-----------	-------------	------	----------------

NORTHWIRE P/N: TBD

CUSTOMER: HMWS

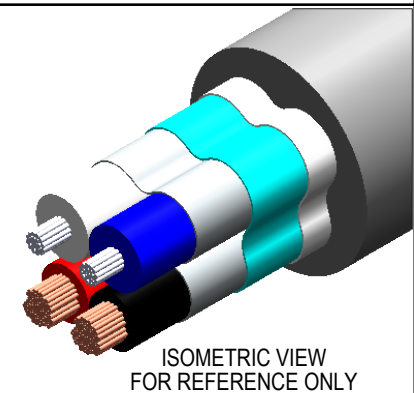
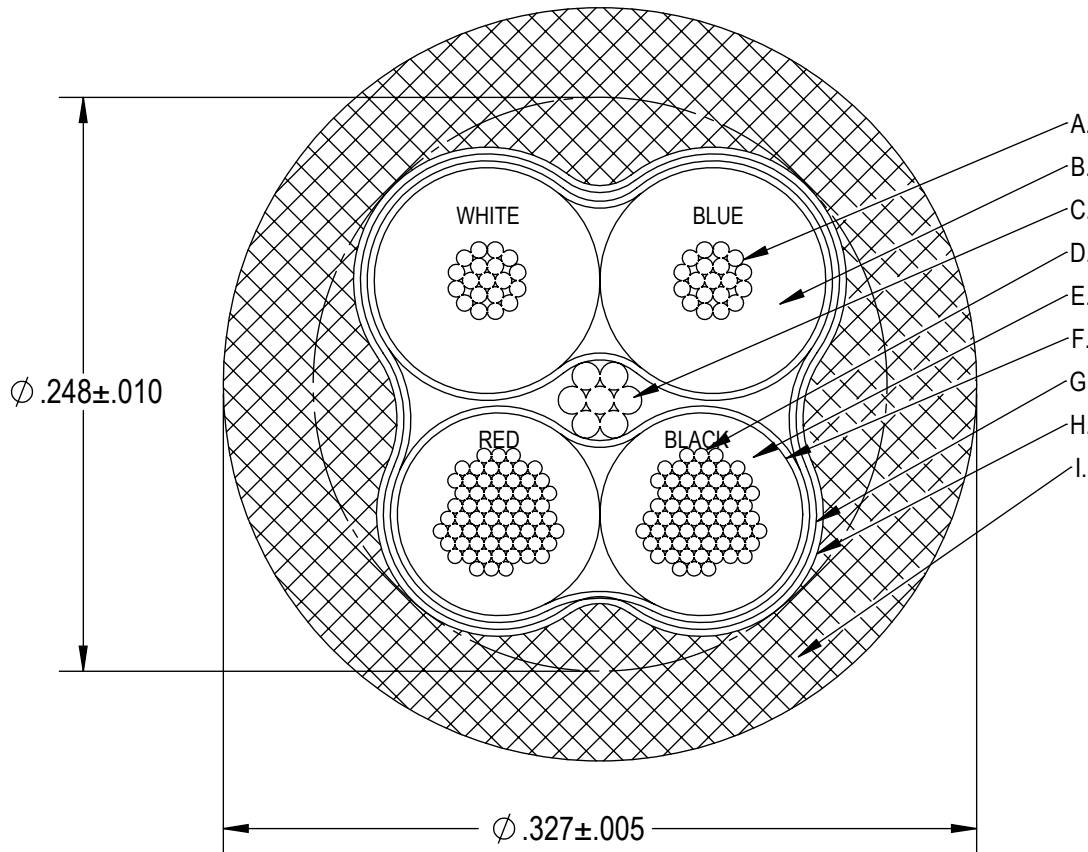
CUSTOMER P/N: TBD

DATE: 6/7/2023

REV: 1

CORE DIMENSIONS FOR INTERNAL USE ONLY
 INLINE CABLING
 DRAIN WIRE POSITION MAY VARY

ITEM	SPECIFICATIONS
A.	20 AWG 19X.0073 TC
B.	30 MIL FOAMED PE INSULATION 27 MIL MIN FOAMED PE INSULATION OD. .098±.002"
C.	20 AWG 7X.0121" TC DRAIN WIRE
D.	17 AWG 82X.0050" BC
E.	15 MIL PVC INSULATION 13 MIL MIN PVC INSULATION OD. .088±.002"
F.	ALUMINUM FOIL SHIELD ON EACH PAIR (FOIL OUT)
G.	OVERALL ALUMINUM FOIL SHIELD (FOIL IN)
H.	TISSUE PAPER SEPARATOR
I.	33 MIL PRESSURED TPU JACKET 27 MIL MIN PRESSURED TPU JACKET COLOR: GRAY



LEGEND SPECIFICATIONS - NA	SHEET 1 OF 2
OSCEOLA:	
SANTA TERESA:	

--	--

DESCRIPTION: 17/2 - 20/2 TPU CABLE 80C 300V	UNITS: IN	SCALE: 60:1	ELECTRICAL REQUIREMENTS
---	-----------	-------------	-------------------------

NORTHWIRE P/N: TBD			- Power pair (17 AWG)
--------------------	--	--	-----------------------

CUSTOMER: HMWS			DC RES. one cond. 5.1600 ohms/Mft
----------------	--	--	-----------------------------------

CUSTOMER P/N: TBD		DATE: 6/7/2023	REV: 1
-------------------	--	----------------	--------

			- Data Pair (20 AWG)
			Char. Impedance 120 Ohms±10%
			Nom. Capacitance 12 pF/Ft (COND TO COND)
			Vel. of propagation 75% Nom.
			DC RES. one cond. @ 20C 11.2 Ohms/1,000 ft max

			MECHANICAL REQUIREMENTS
--	--	--	-------------------------

			NONE SPECIFIED
--	--	--	----------------

DRAFT DRAWING	1	-	6/7/2023	AV
REVISION RECORD	REV.	ECR NO.	REV DATE	APR
REVISIONS				