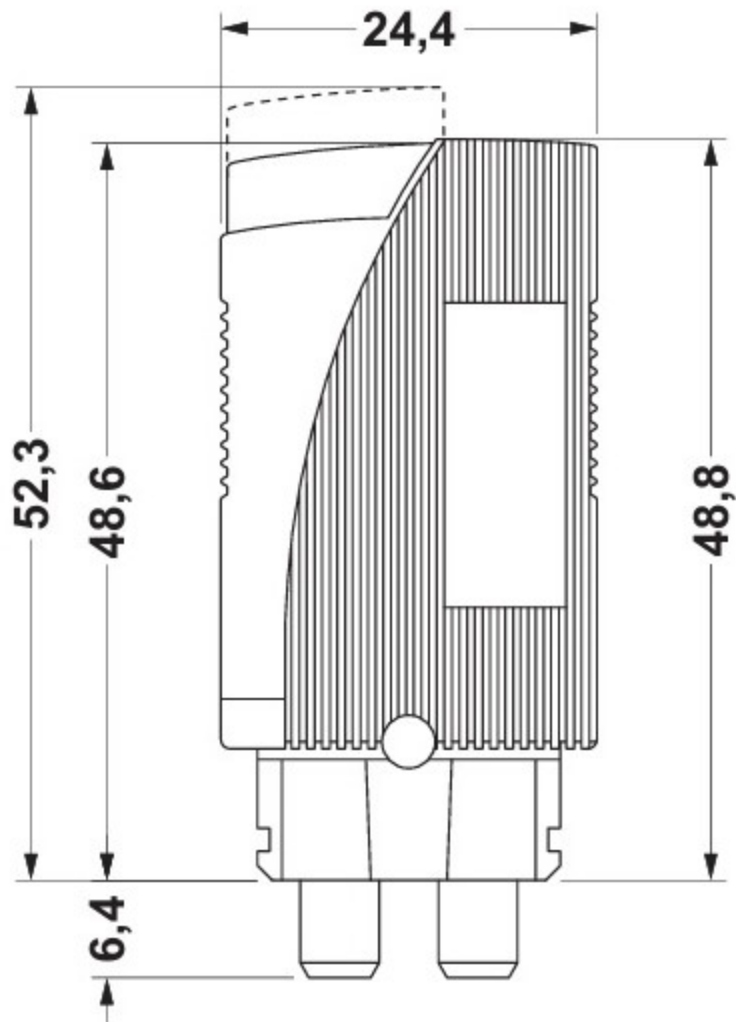


# Dimensional Drawing



# Circuit Diagram

