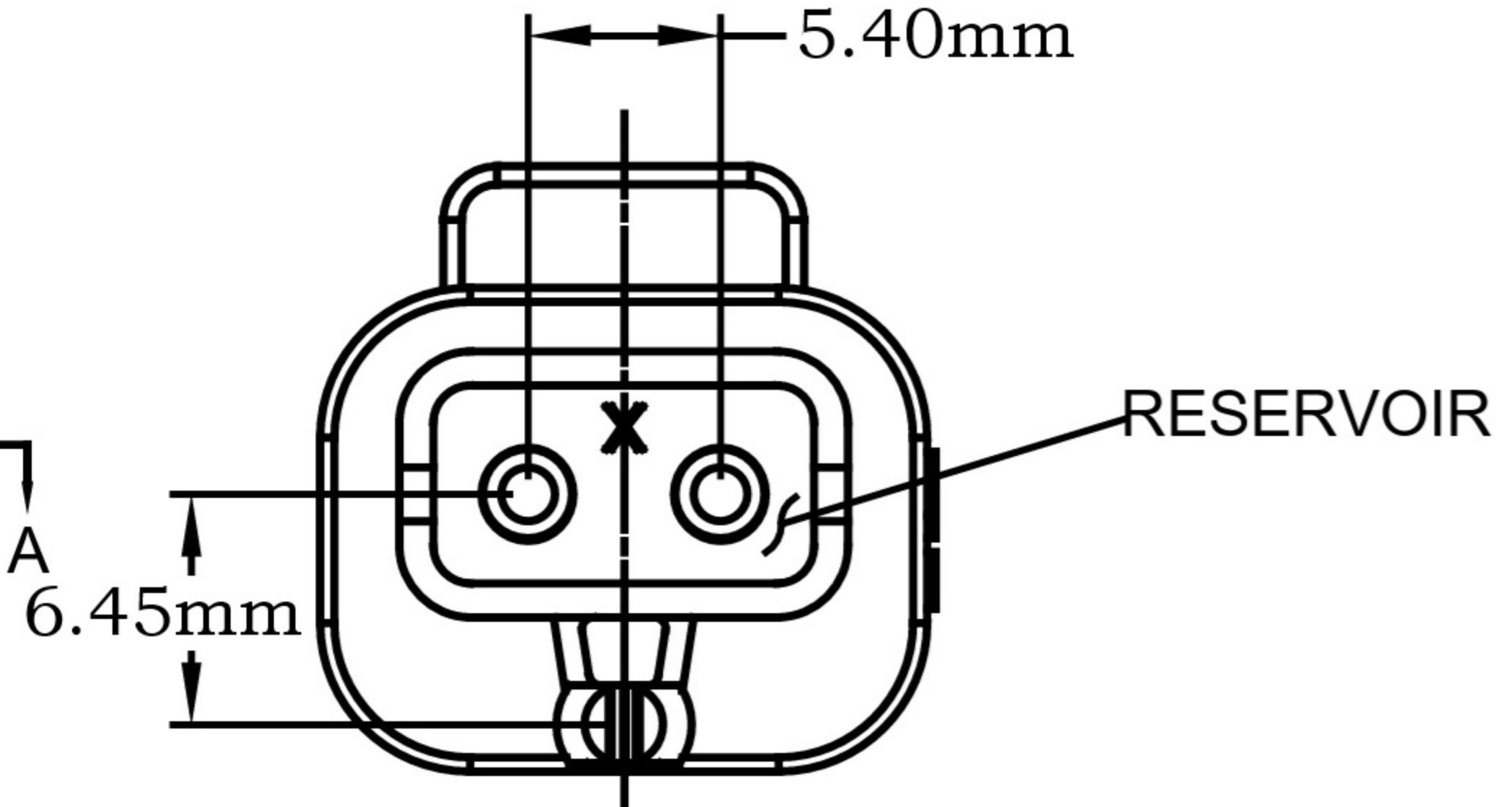
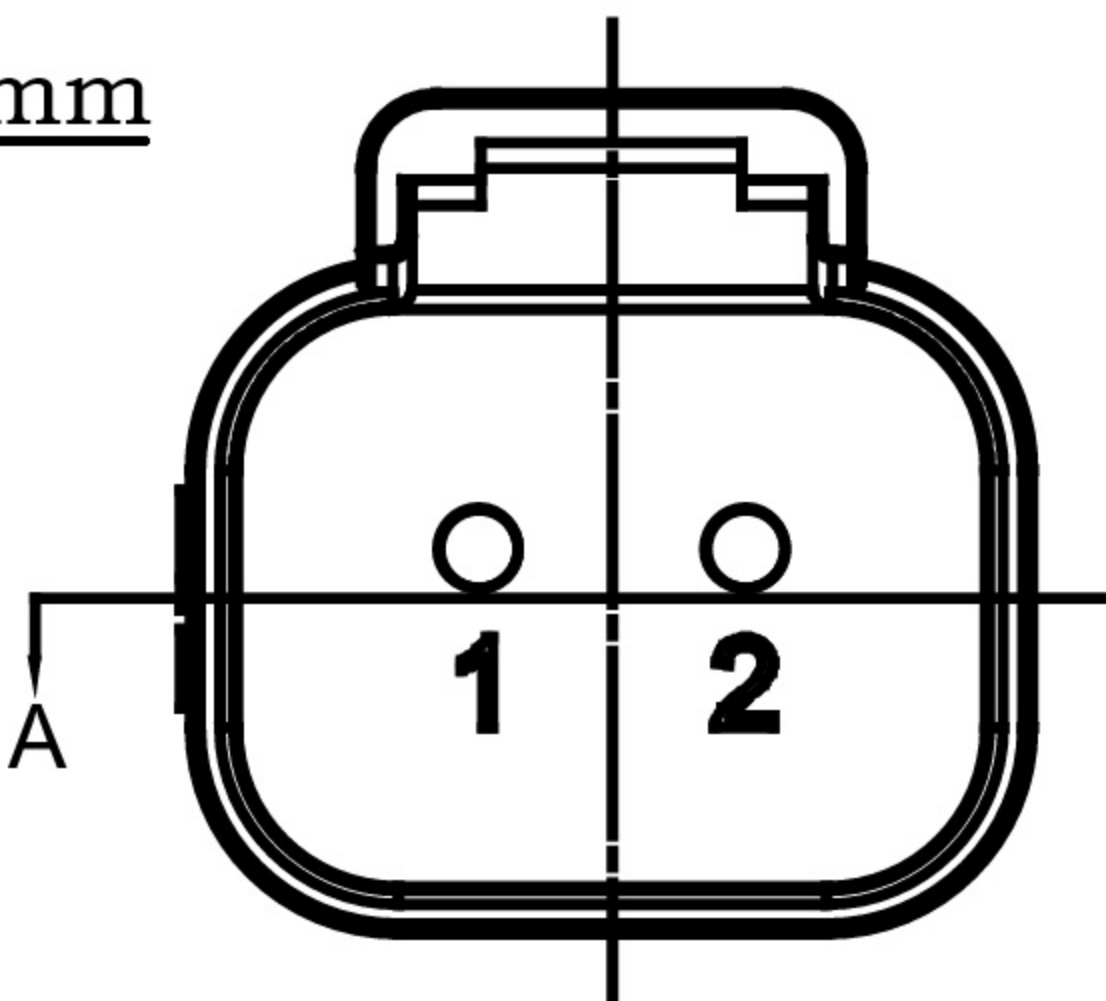
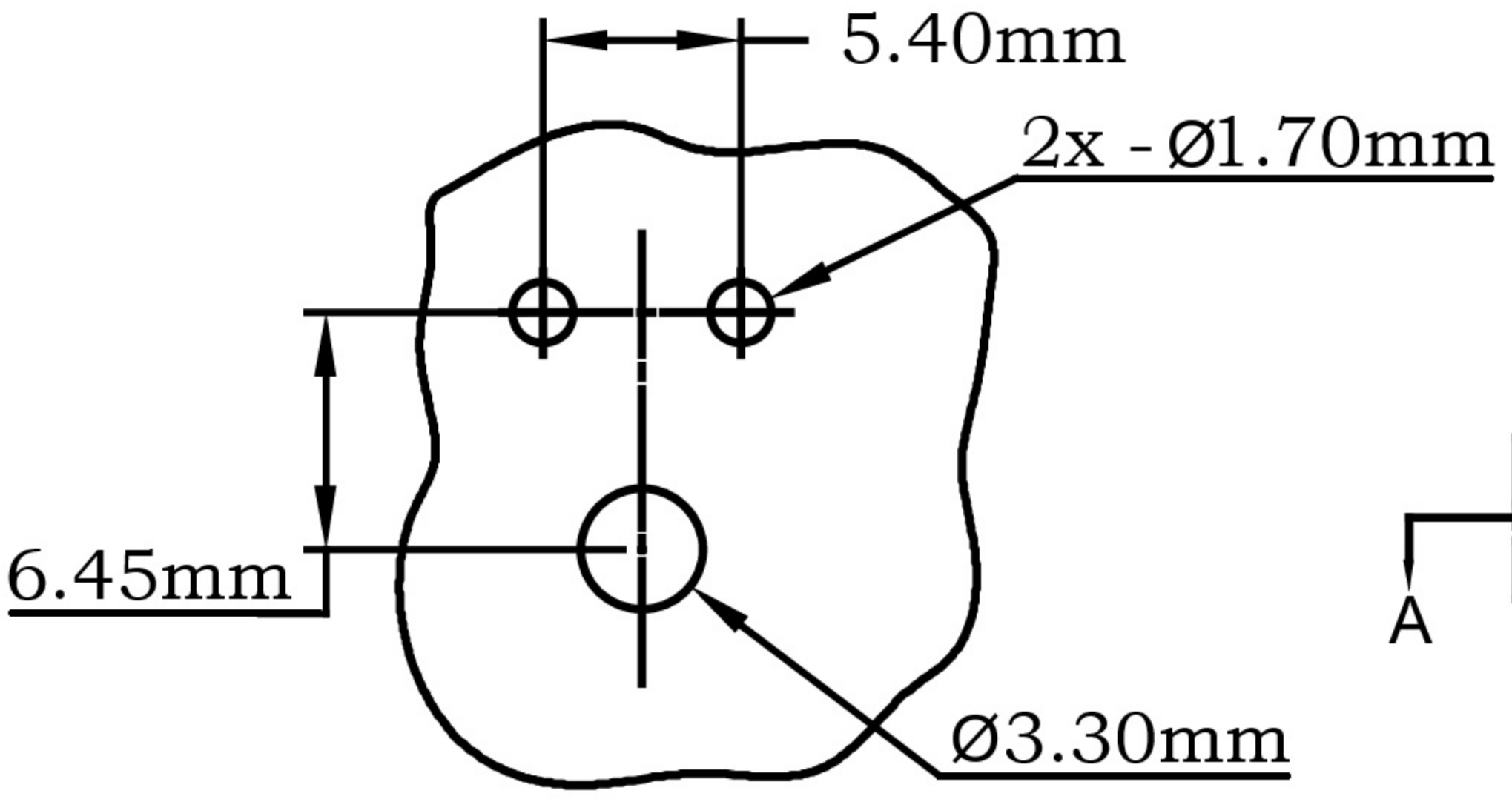
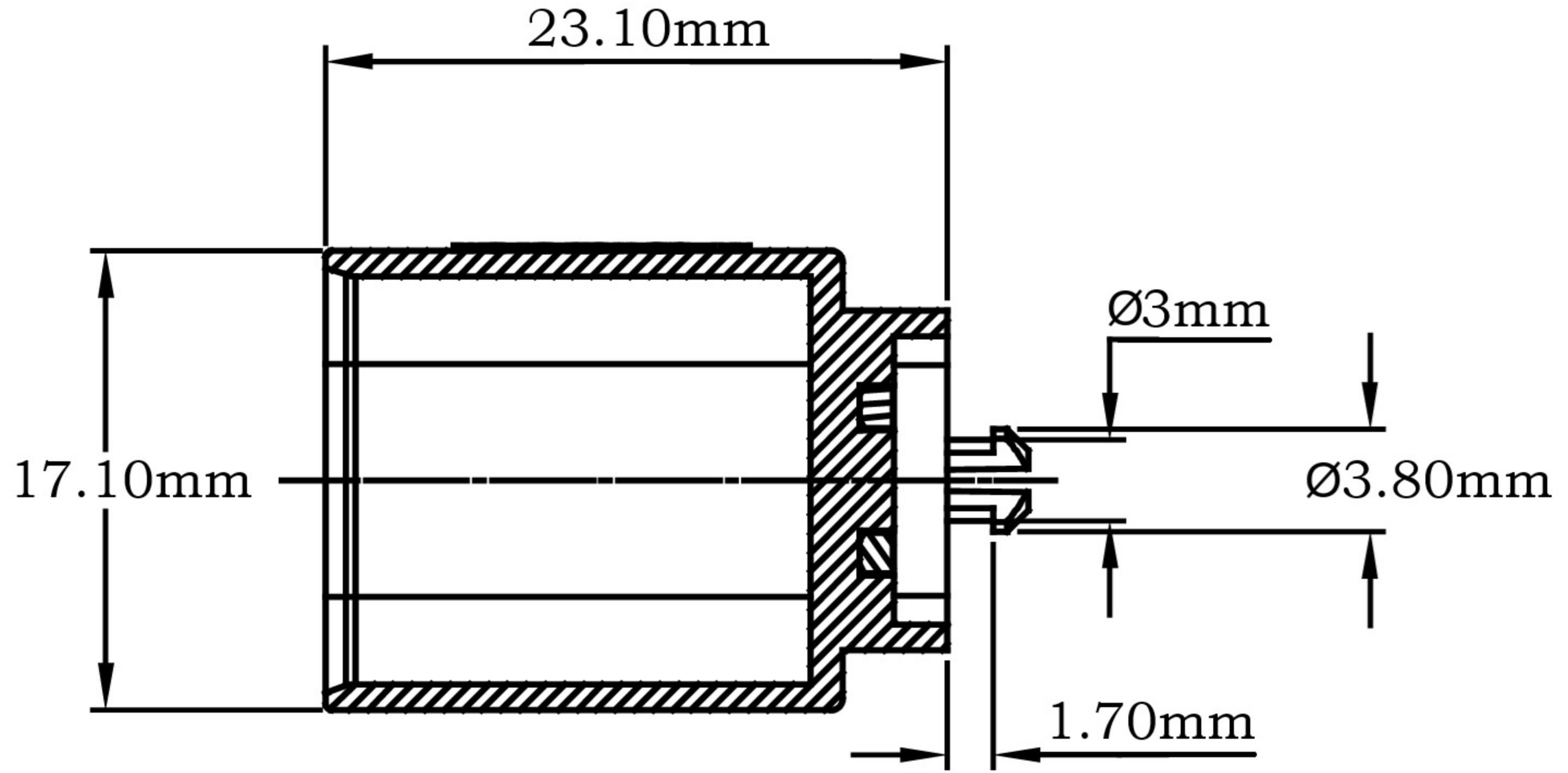
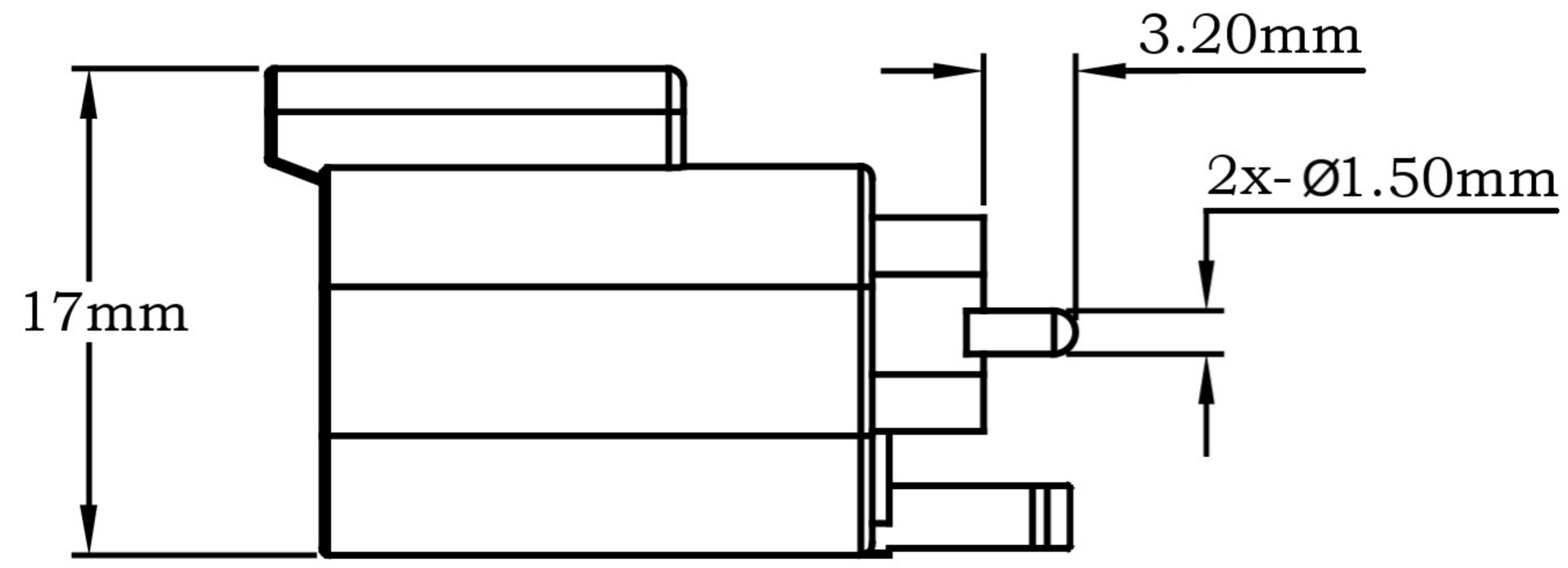


# DIMENSIONS



RECOMMENDED LAYOUT  
VIEW FROM COMPONENTS  
SIDE OF PCB



SECTION A-A