

DIMENSIONS

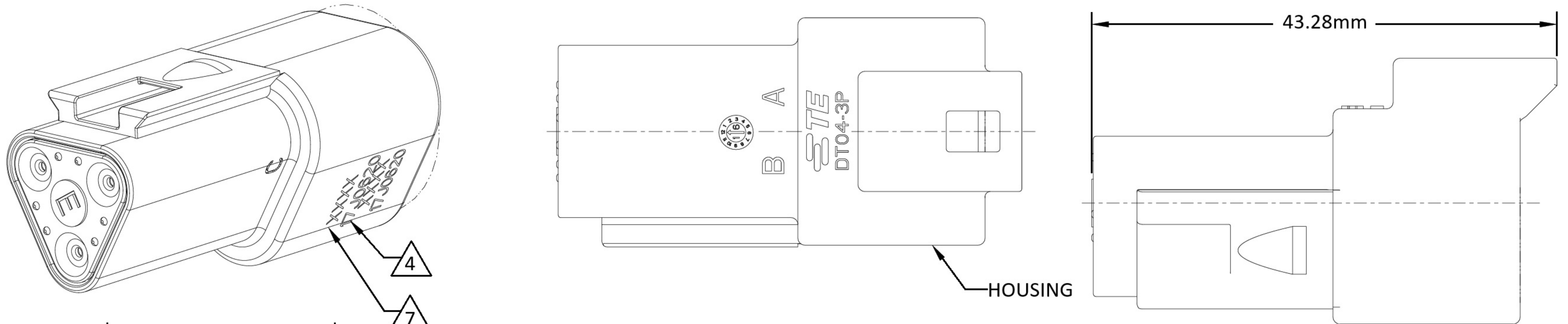
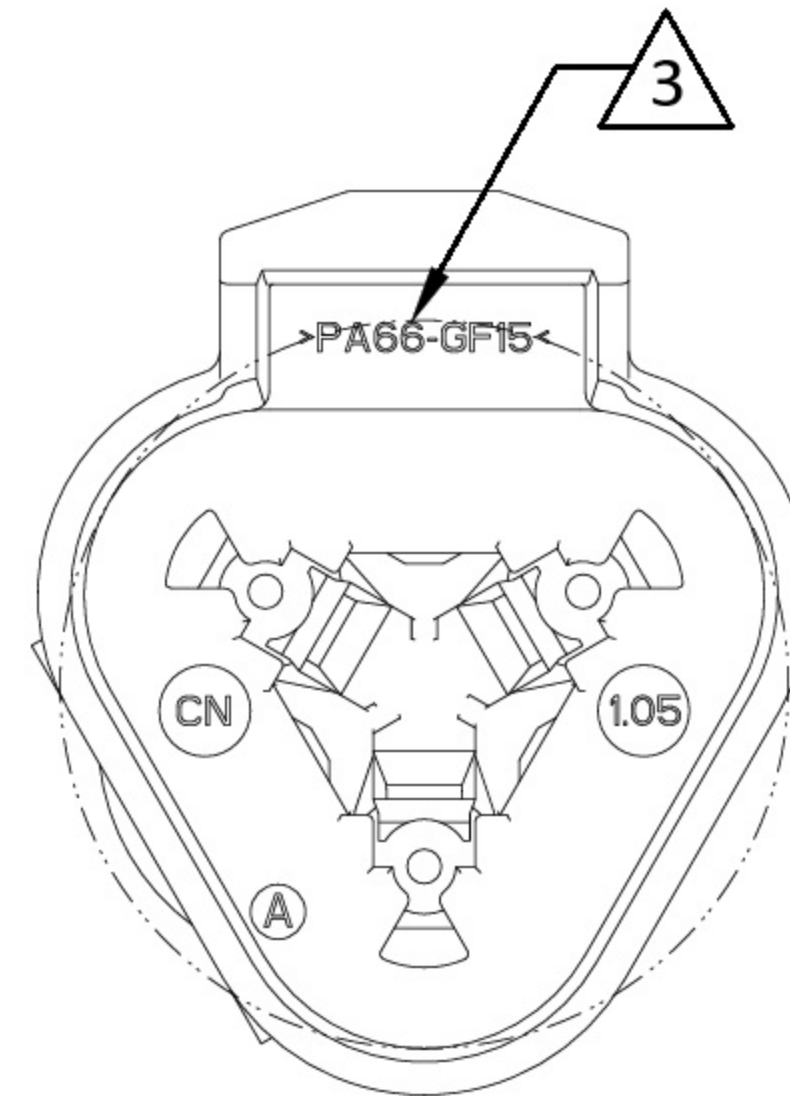
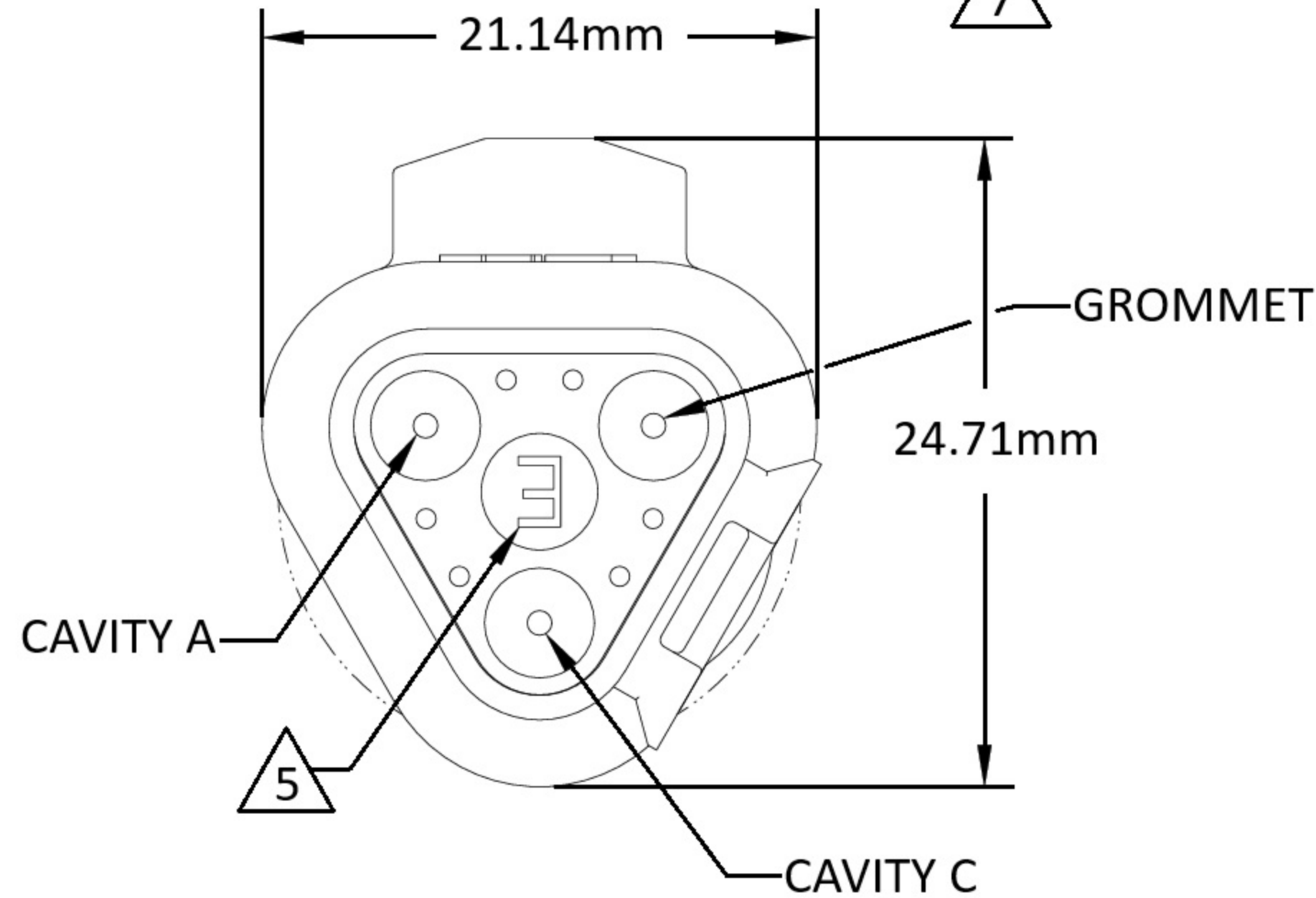


FIGURE 1



- 3** MATERIAL: HOUSING: PA66 GF15, SEE TABLE FOR COLOR
 SHORT, LONG CAP: PA66 GF15, BLACK
 GROMMET: VMQ N-SEAL: RED-ORANGE
 E-SEAL: BURNT RED
 BLOCKED: RED-ORANGE
- 4** DATE CODE: IDENTIFIES THE YEAR, MONTH, DAY AND HOUR OF ASSEMBLY.
 YEAR: FIRST AND SECOND DIGITS. (17 = 2017)
 MONTH: THIRD DIGIT, EXCLUDING I. A = JAN, B = FEB,
 C = MARCH ... (K = OCTOBER)
 DAY: FOURTH AND FIFTH DIGITS (14 = 14th DAY)
 HOUR: SIXTH AND SEVENTH DIGITS (11 = 11AM)
- 5** "E" IDENTIFIES E-SEAL.
- 7** XXXX IDENTIFIES THE MODIFICATION NUMBER, IF APPLICABLE.
 EXAMPLE: "E003" FOR DT04-3P-E003,
 OR BLANK FOR DT04-3P.

CONTACT SIZE	WIRE RANGE	INSULATION OD SEALING RANGE	SEAL IDENTIFICATION
16	14 - 20 AWG [2.5mm - 0.5mm ²]	[2.23mm - 3.68mm]	STANDARD SEAL
		[1.35mm - 3.05mm]	EXTRA THIN SEAL E - SEAL