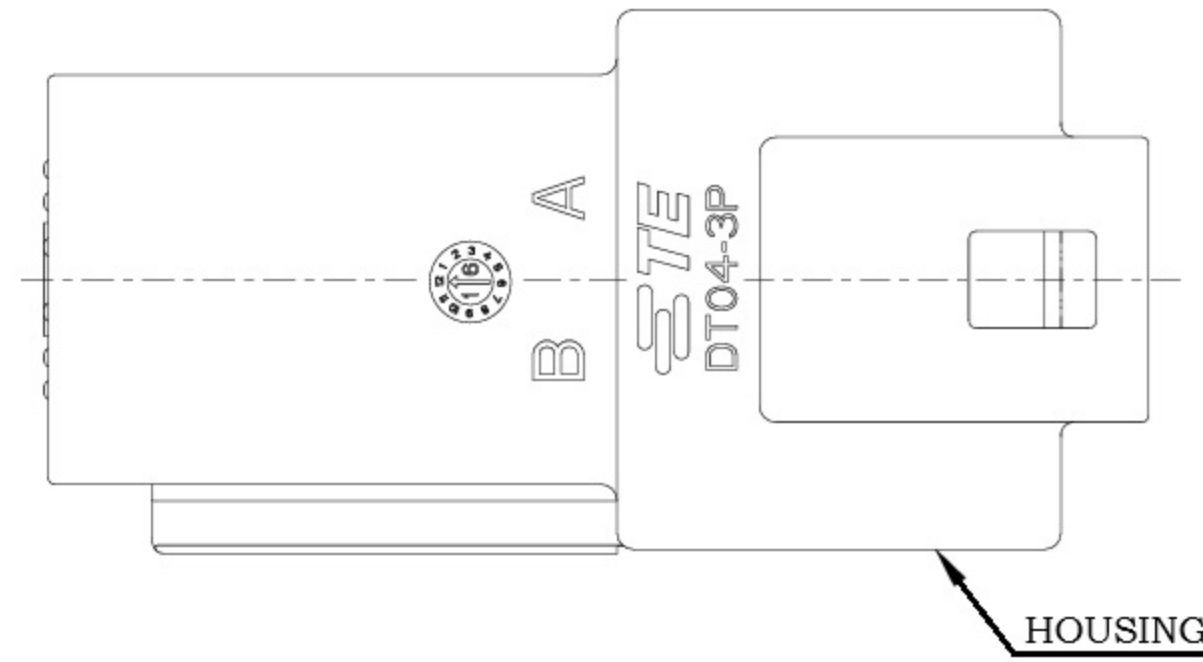
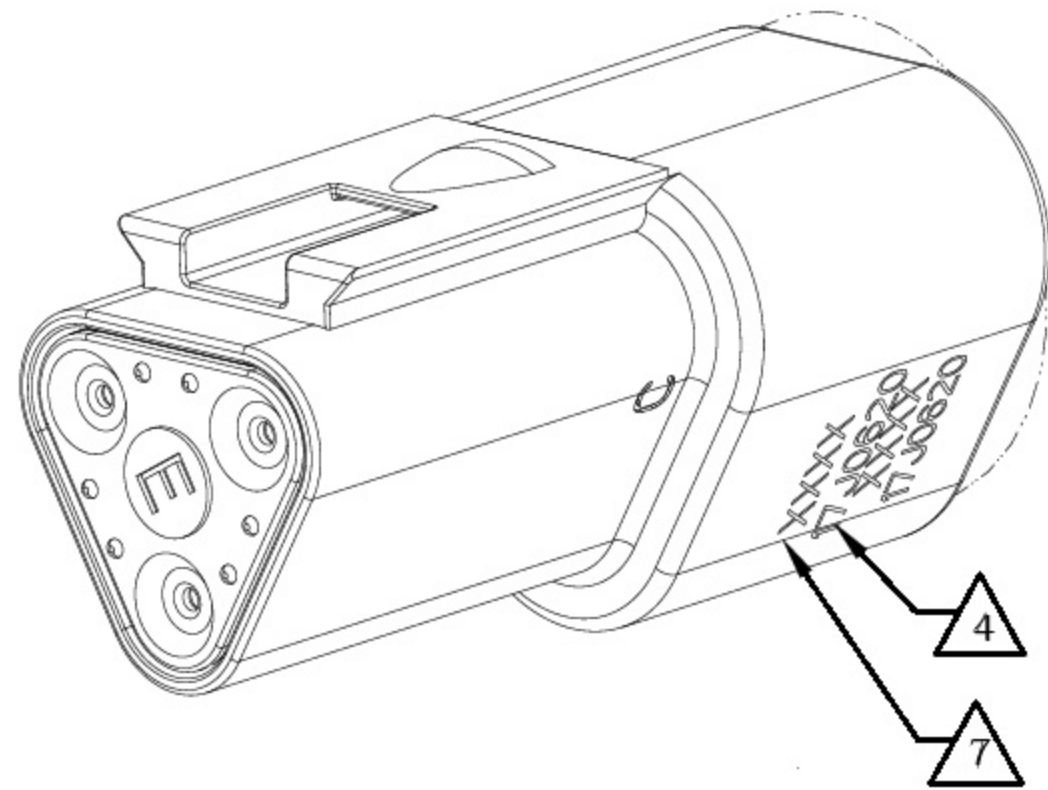


# DIMENSIONS



△ 3 MATERIAL: HOUSING: PA66 GF15, SEE TABLE FOR COLOR  
 SHORT, LONG CAP: PA66 GF15, BLACK  
 GROMMET: VMO N-SEAL: RED-ORANGE  
 E-SEAL: BURNT RED  
 BLOCKED: RED-ORANGE

△ 4 DATE CODE: IDENTIFIES THE YEAR, MONTH, DAY AND HOUR OF ASSEMBLY.  
 YEAR: FIRST AND SECOND DIGITS. (17 = 2017)  
 MONTH: THIRD DIGIT, EXCLUDING I. A = JAN, B = FEB, C = MARCH ... (K = OCTOBER)  
 DAY: FOURTH AND FIFTH DIGITS (14 = 14th DAY)  
 HOUR: SIXTH AND SEVENTH DIGITS (11 = 11AM)

△ 5 "E" IDENTIFIES E-SEAL.

△ 7 XXXX IDENTIFIES THE MODIFICATION NUMBER, IF APPLICABLE.  
 EXAMPLE: "E003" FOR DT04-3P-E003,  
 OR BLANK FOR DT04-3P.

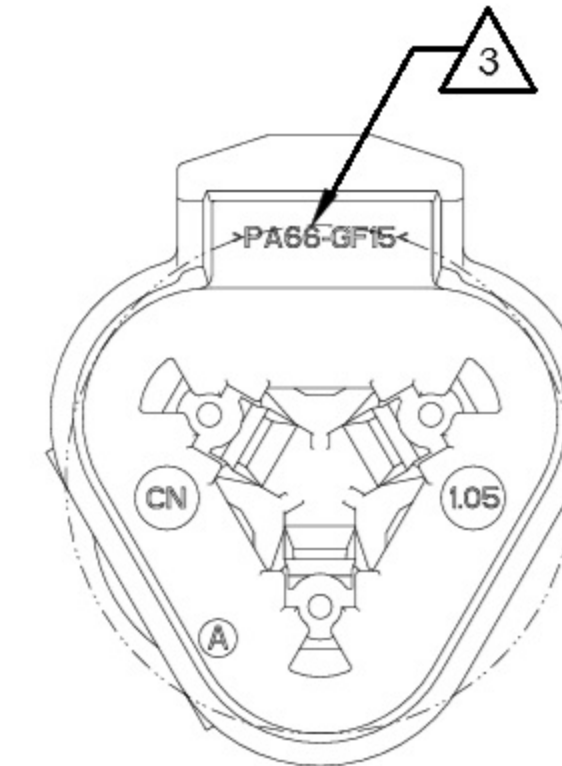
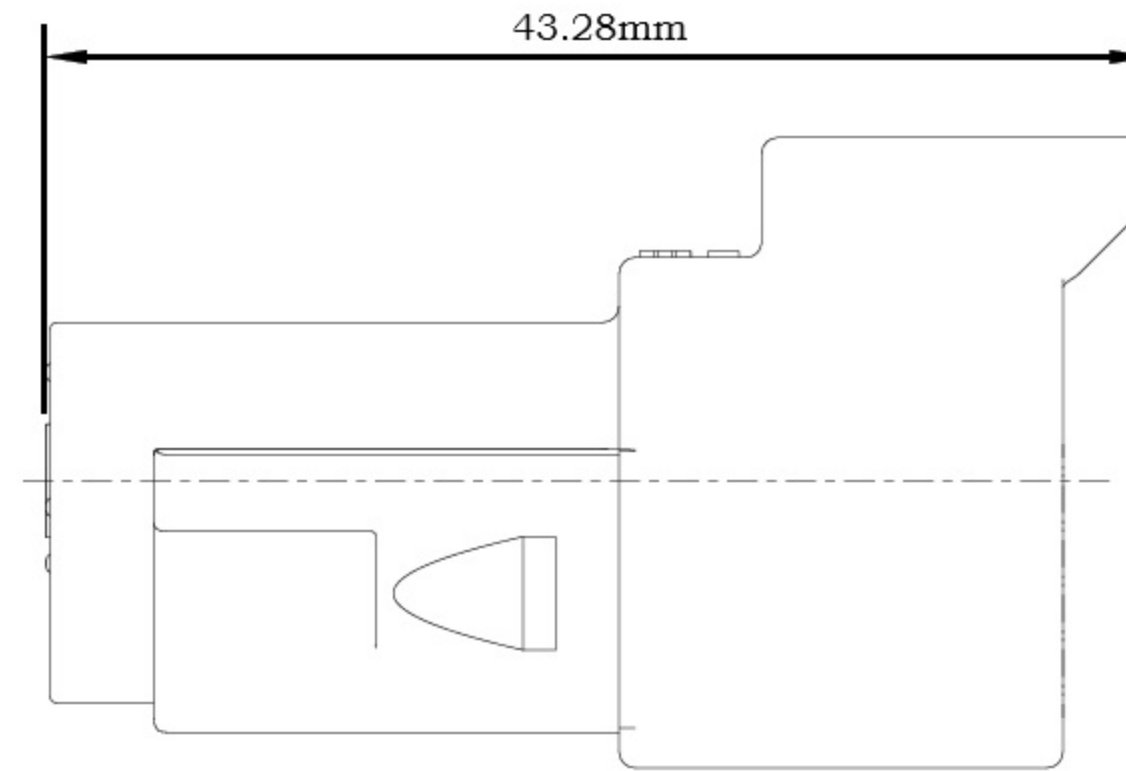
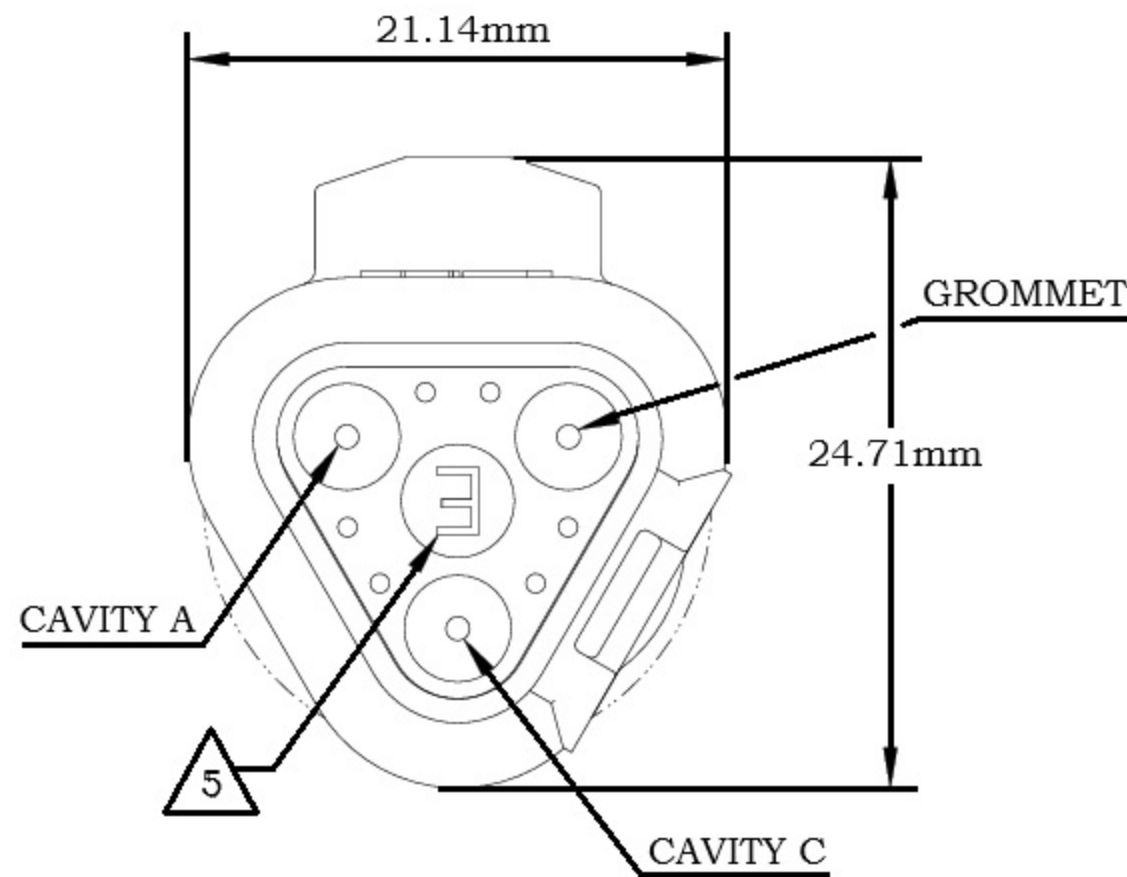


FIGURE 1

CONTACT SIZE	WIRE RANGE	INSULATION OD SEALING RANGE	SEAL IDENTIFICATION
16	14 - 20 AWG	2.23mm - 3.68mm	STANDARD SEAL
		1.35mm - 3.05mm	EXTRA THIN SEAL E-SEAL