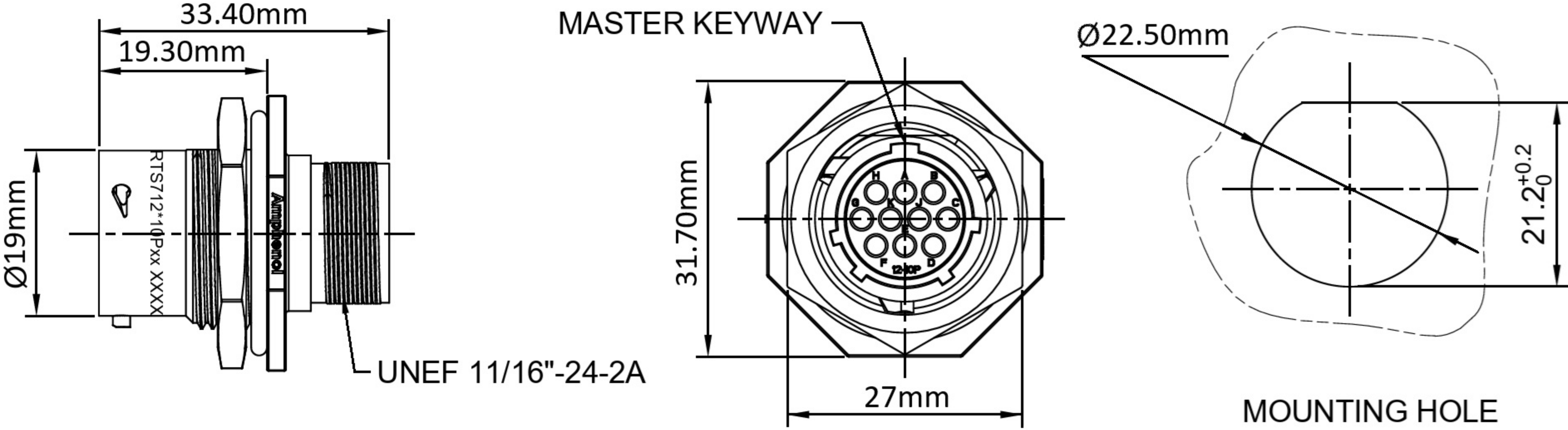


# DIMENSIONS



KEY	PART NUMBER	
		-40°C ~ 105°C
N	RTS712N10P	RTS712N10P03

