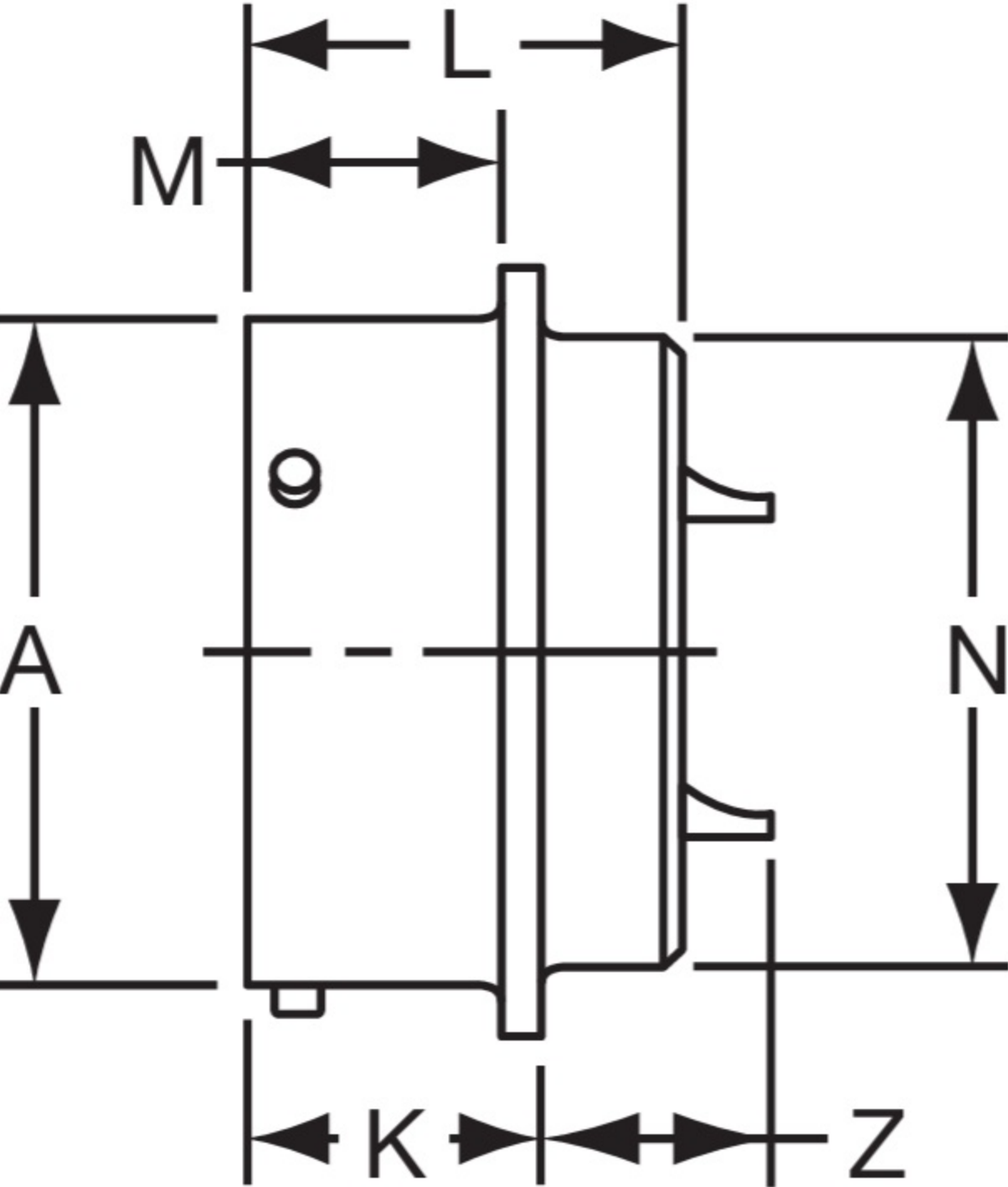
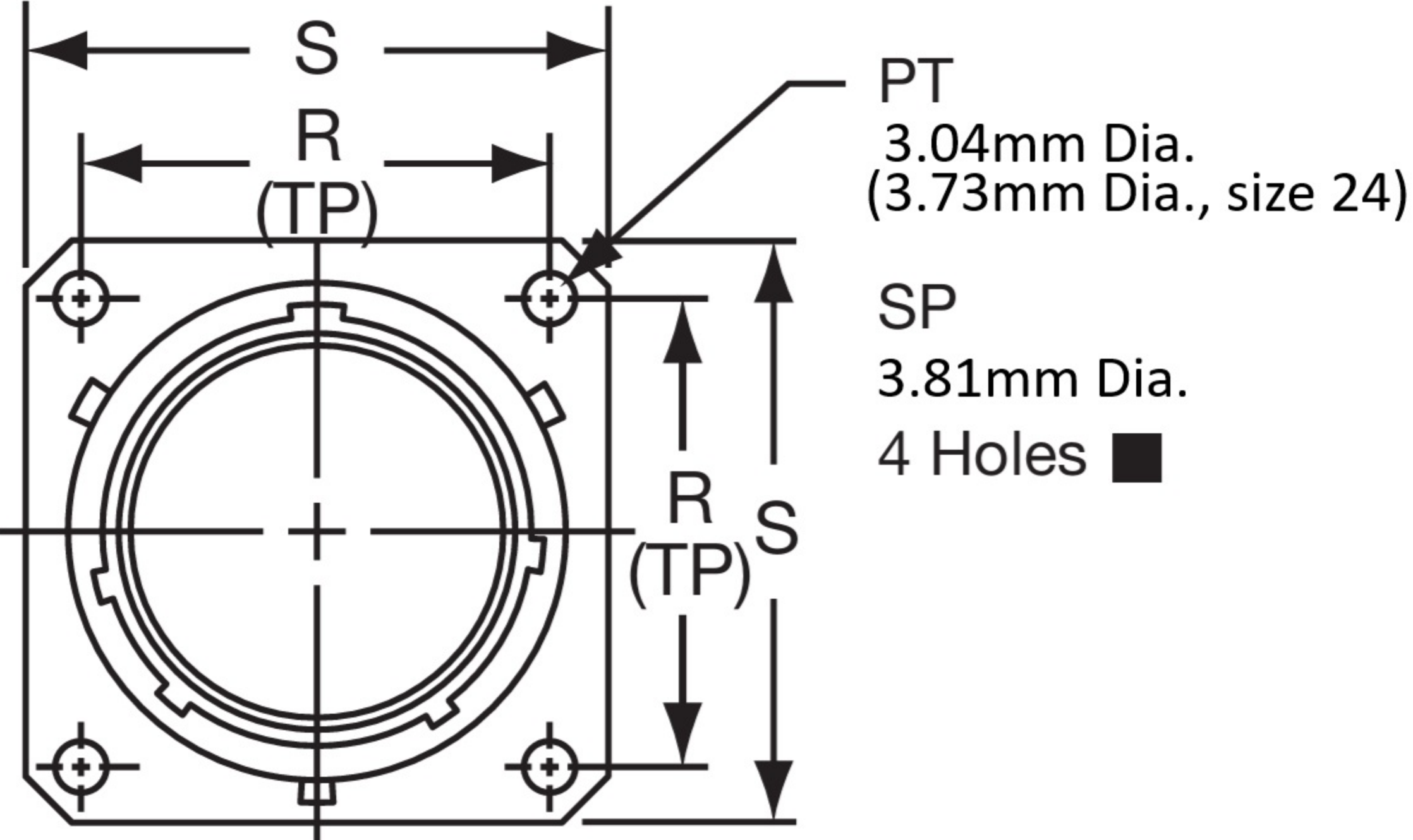


DIMENSIONS



Insert Arrangement	8-3
Service Rating	I
Number of Contacts	3
Contact Size	20



Shell Size	Receptacle Front View				Receptacle Side View								
	R (TP)		S		A	K ^{+0.020} / _{-0.010}		L Max.	M ^{+0.031} / _{-0.000}		N Dia. Max.	Z Max.	
	PT	SP	PT	SP	+0.005	PT	SP		PT	SP		PT	SP
8	15.08mm	18.64mm	20.62mm	26.59mm	12.01mm	12.52mm	13.30mm	20.95mm	10.94mm	11.73mm	11.40mm	11.81mm	11.12mm