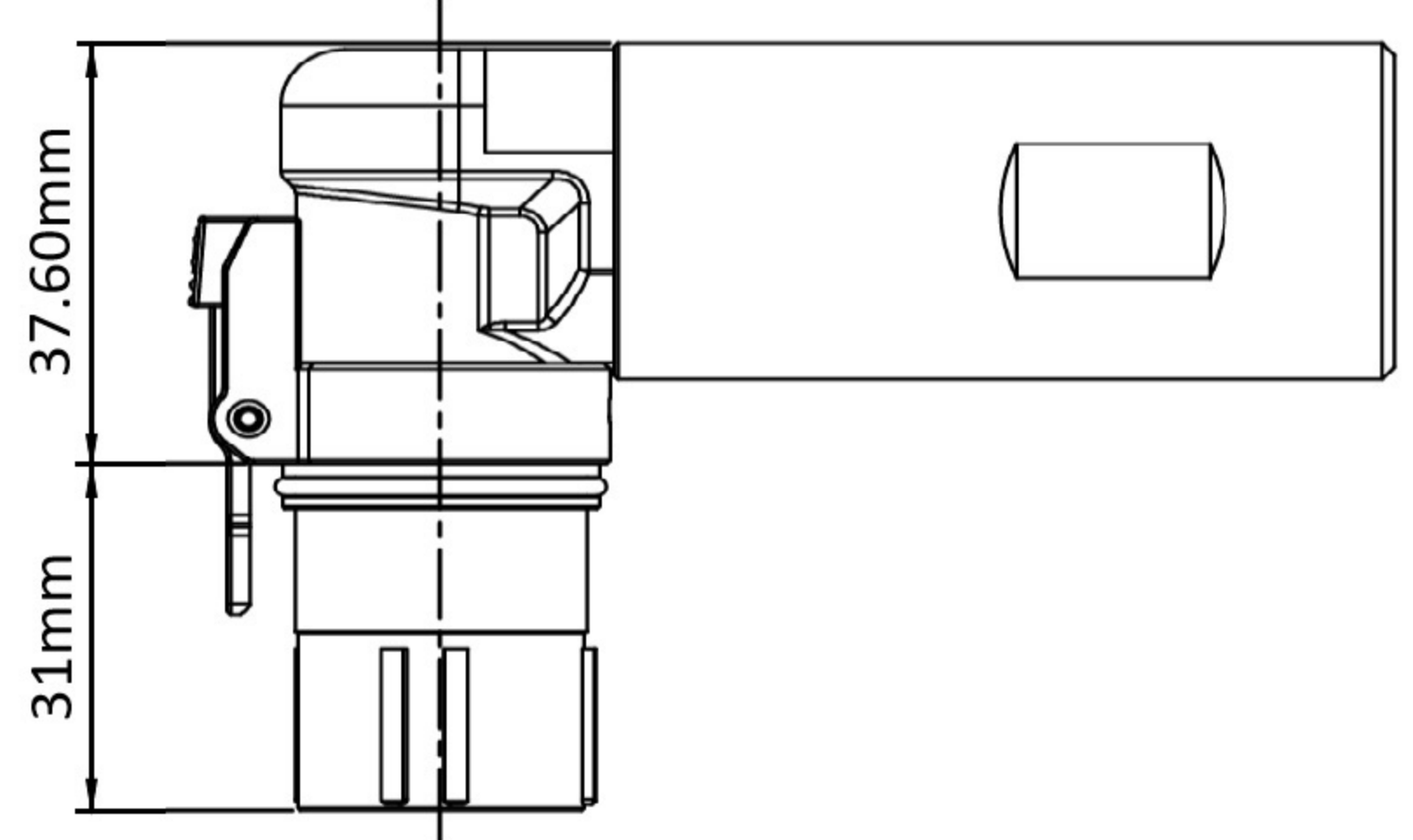
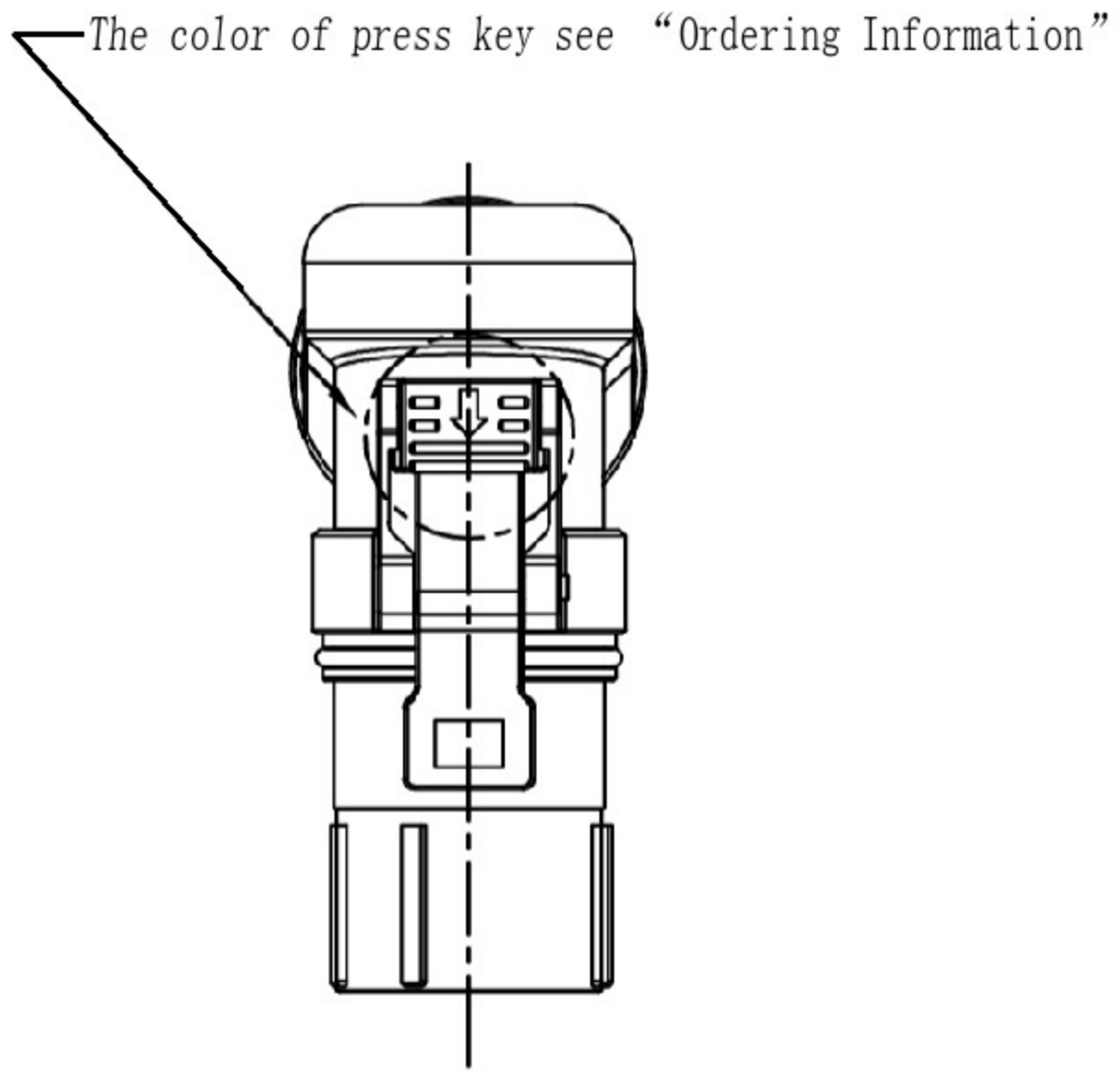
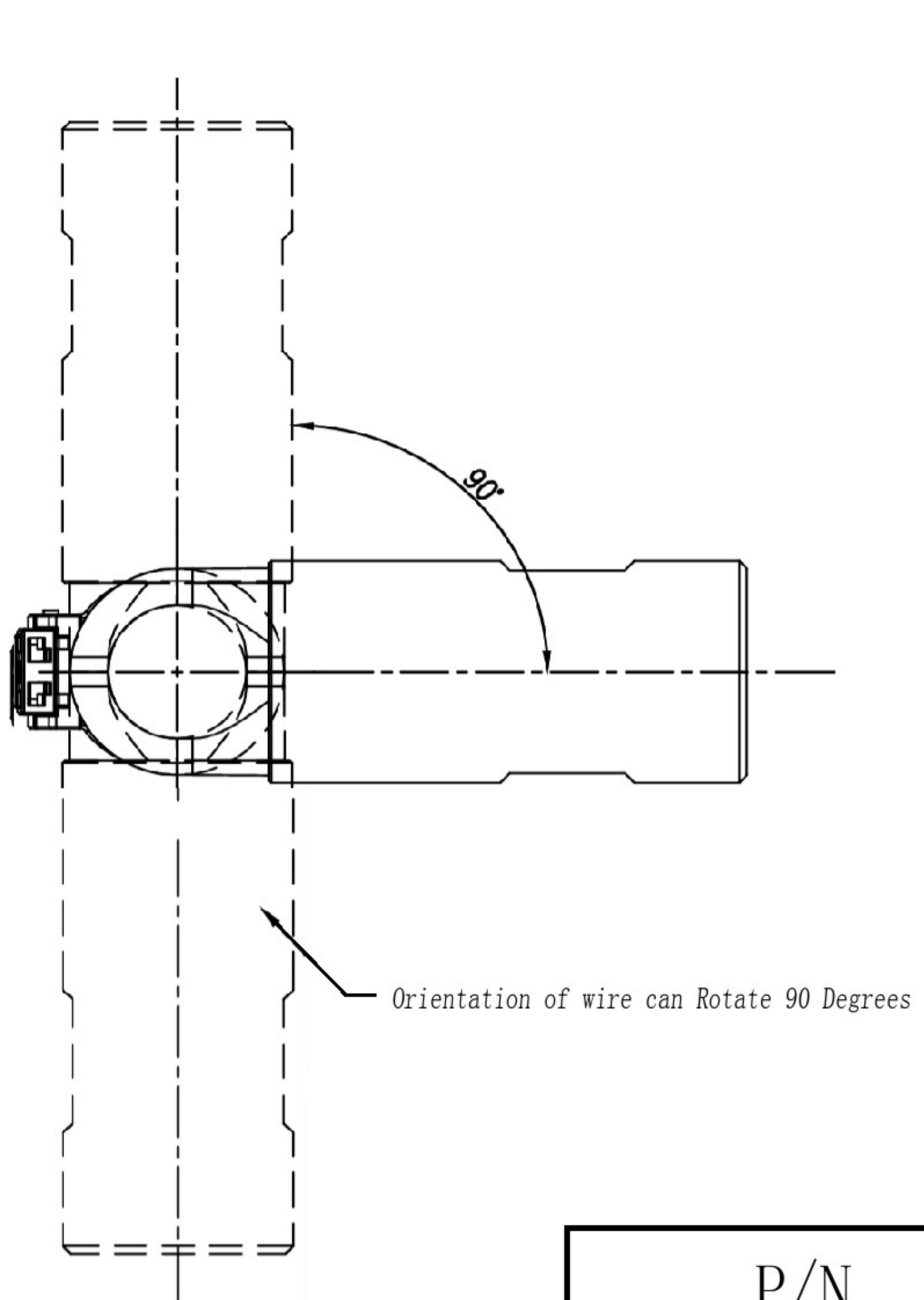
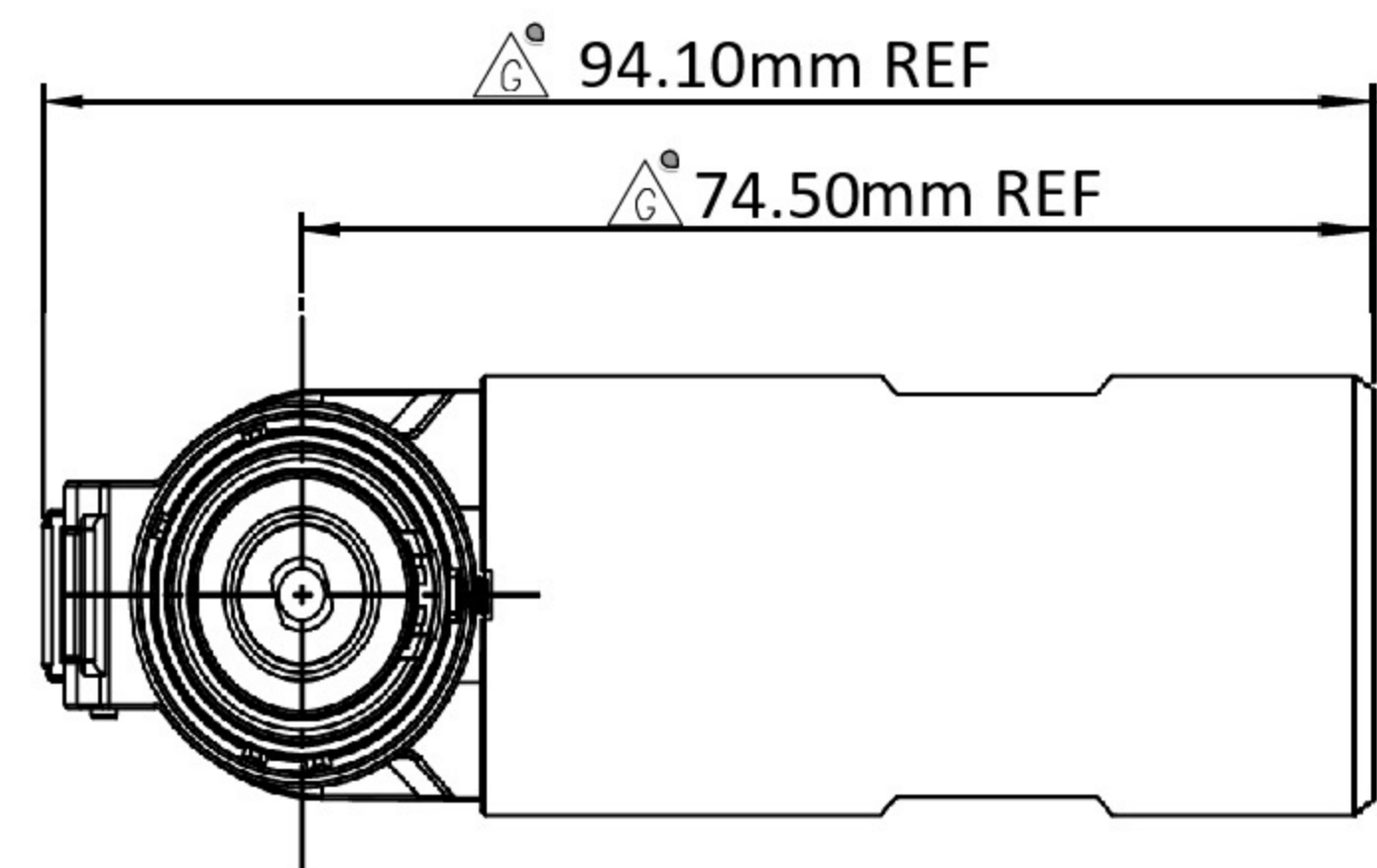


# DIMENSIONS



Ordering Information

PL28	X	-	30	1	-	70
$\triangle$ Key & Color "X", Orange "Y", Black "U", Yellow "V", Green "W", Red "T", Blue		HVIL 0, No HVIL 1, With HVIL		Cable Size "70"=70mm <sup>2</sup> "50"=50mm <sup>2</sup> "35"=35mm <sup>2</sup>		



P/N	Model NO.	Accepted Wire OD
AC-HA000853	PL28V-301-50	17mm ± 0.5mm