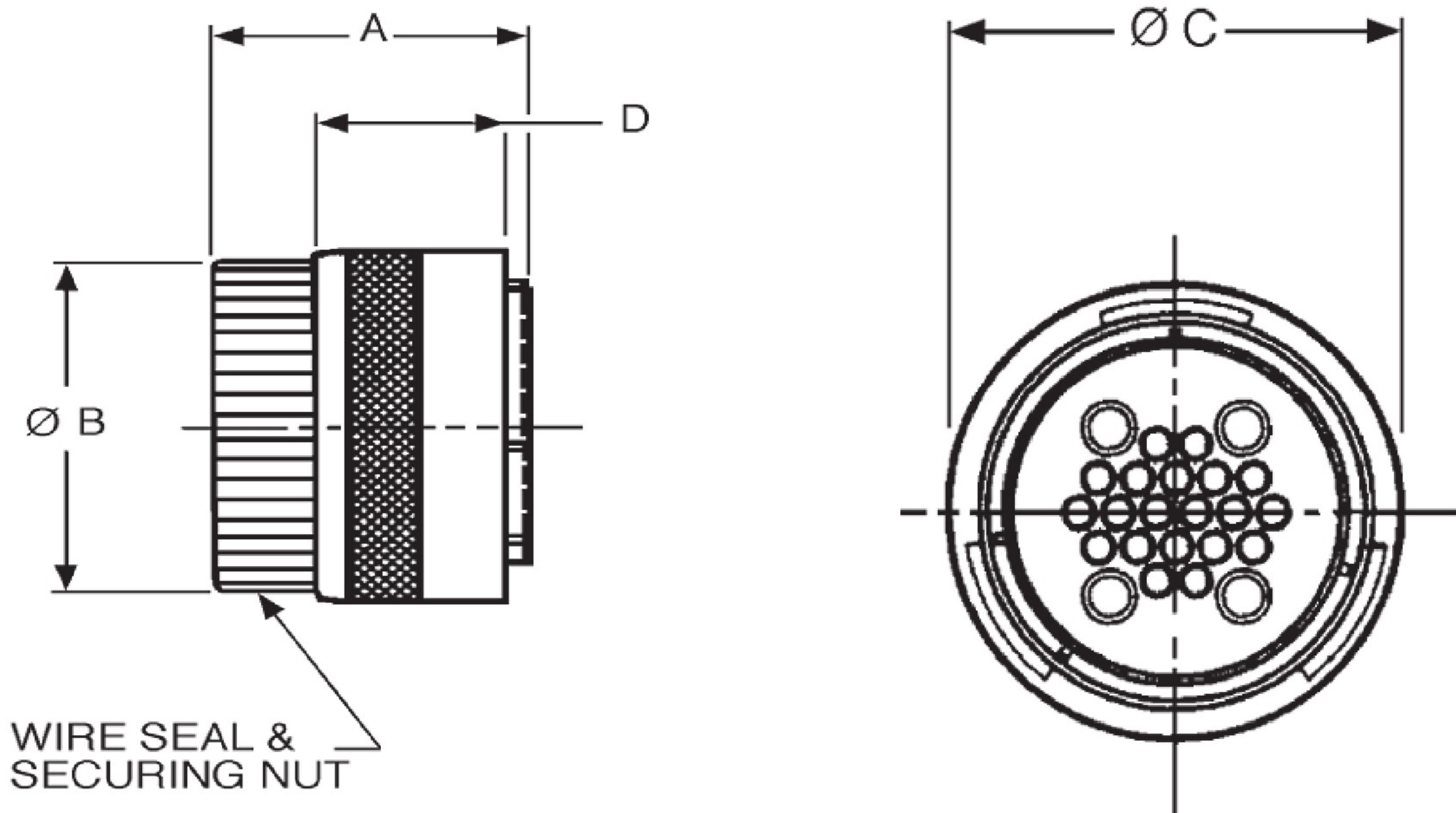


# DIMENSIONS



Shell Size	Contact Layout		Part Number	A	ØB	ØC	D
	Power Contacts	Signal Contacts					
24	00	48	192900-0425	32.40mm	40.50mm	44mm	14.72mm