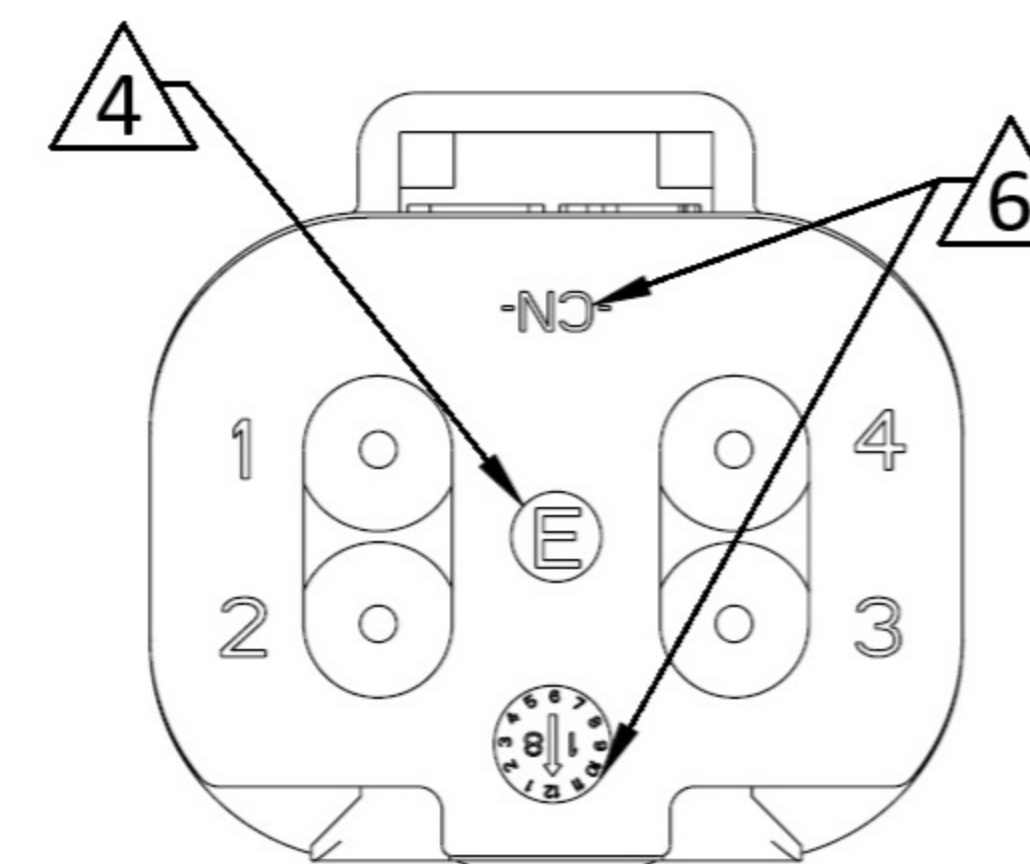
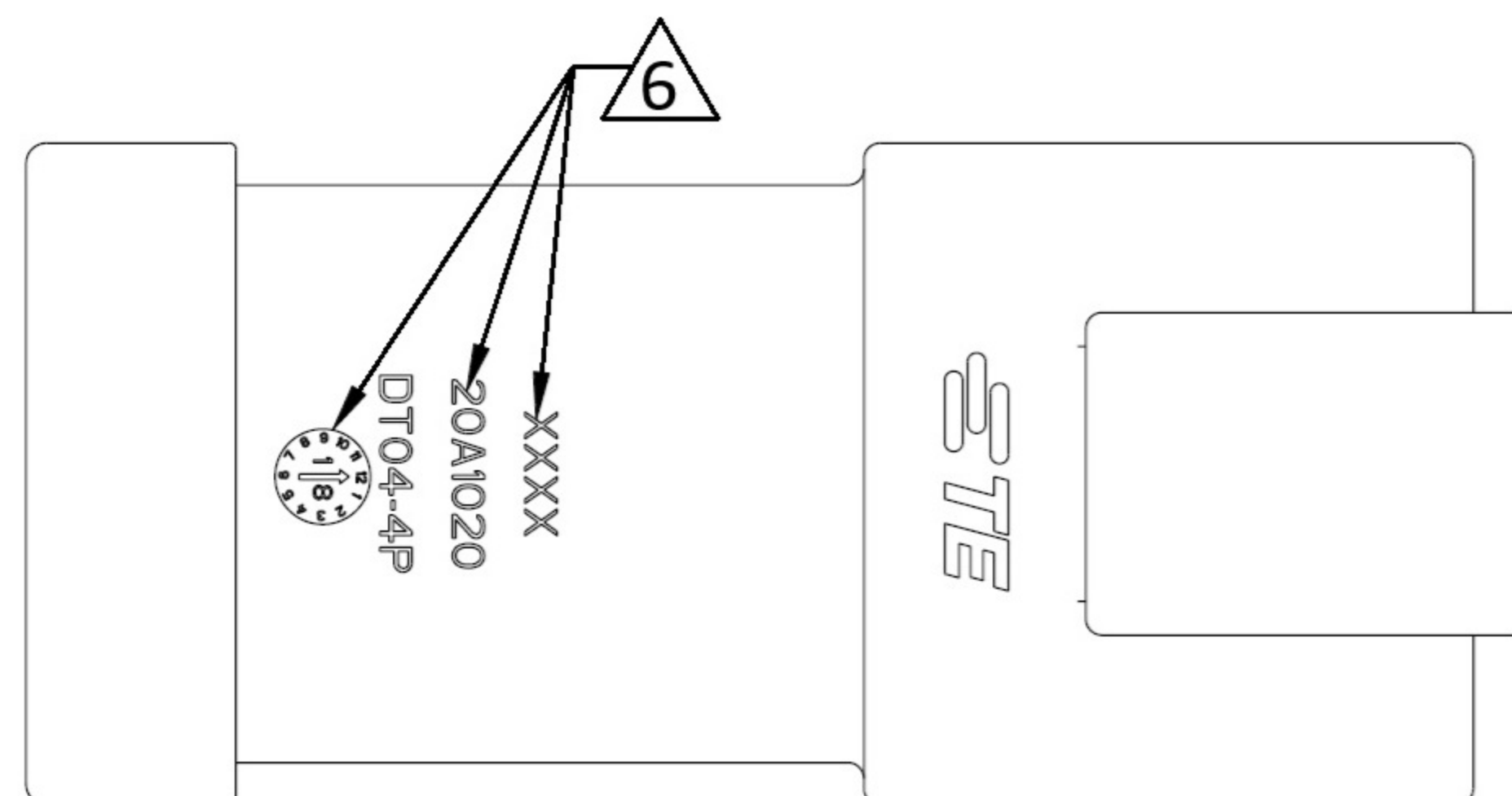
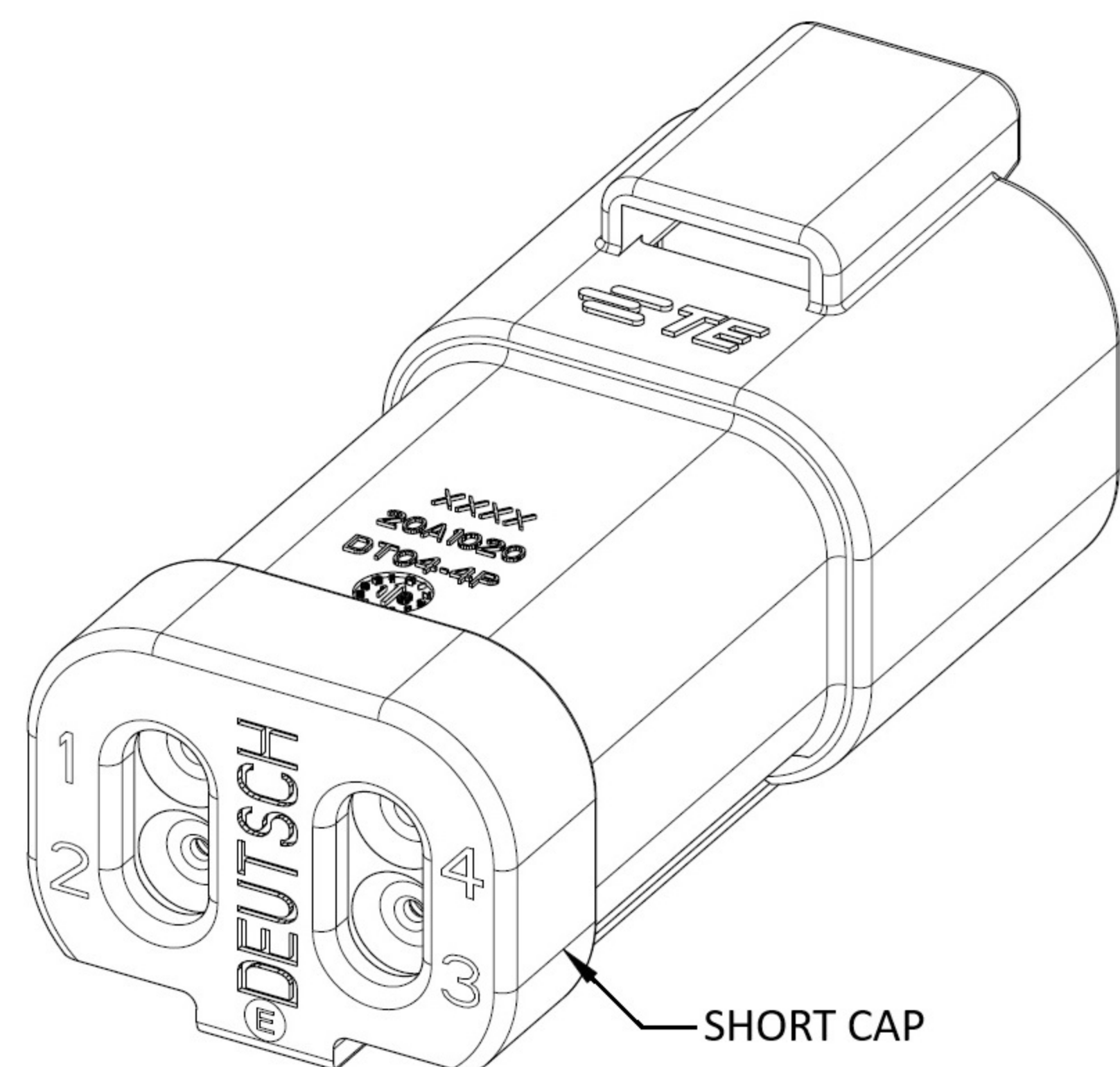
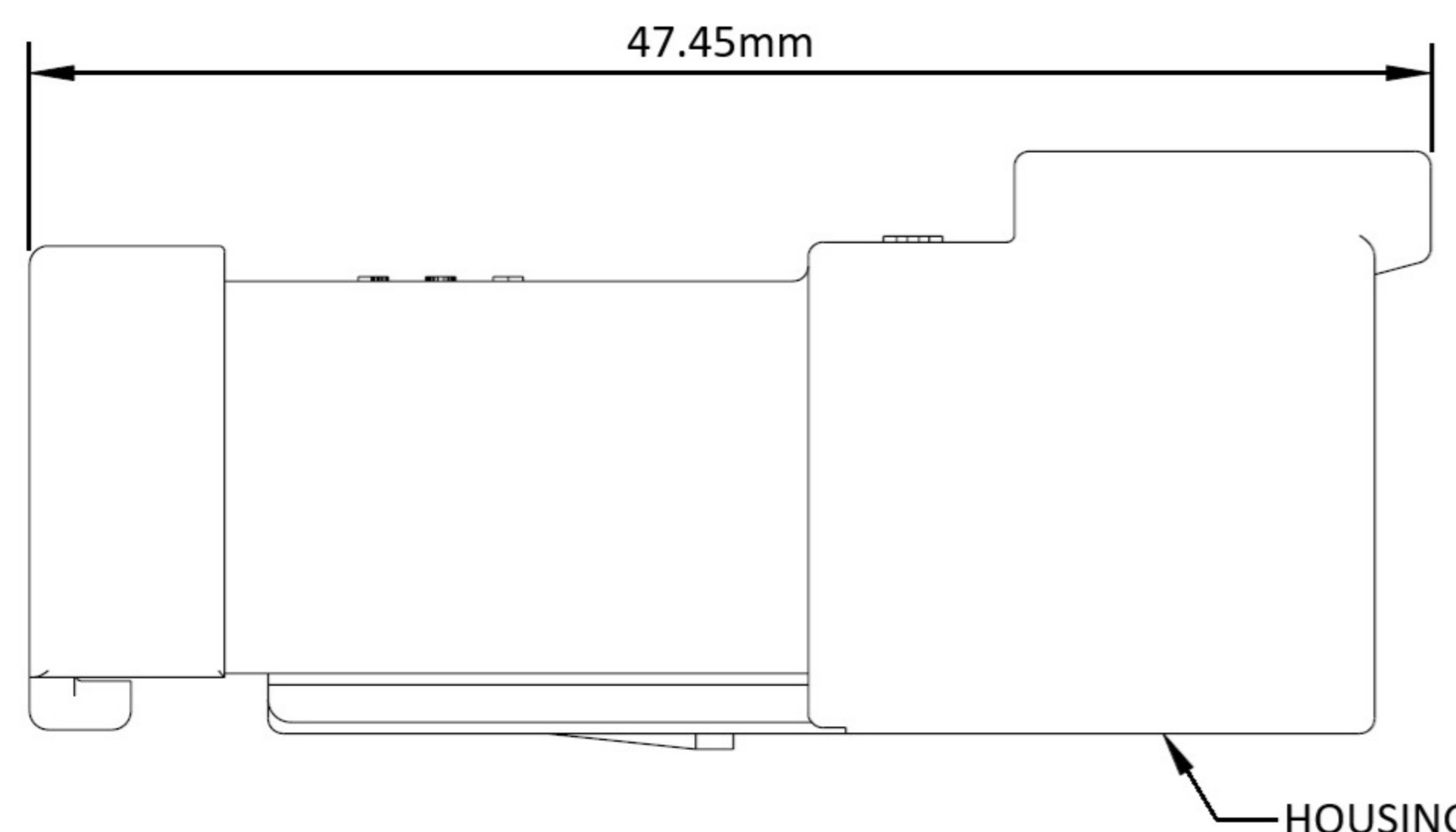
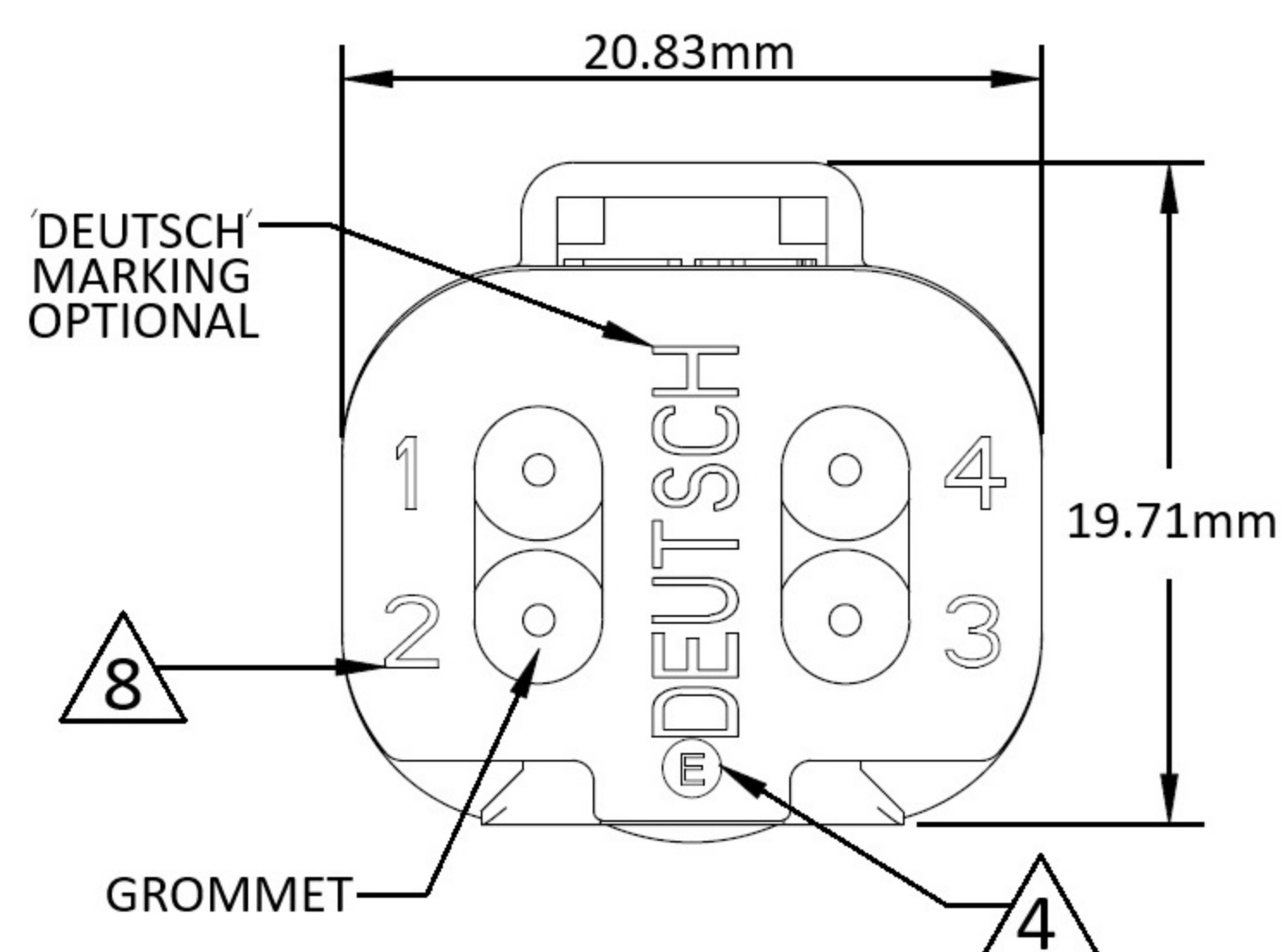
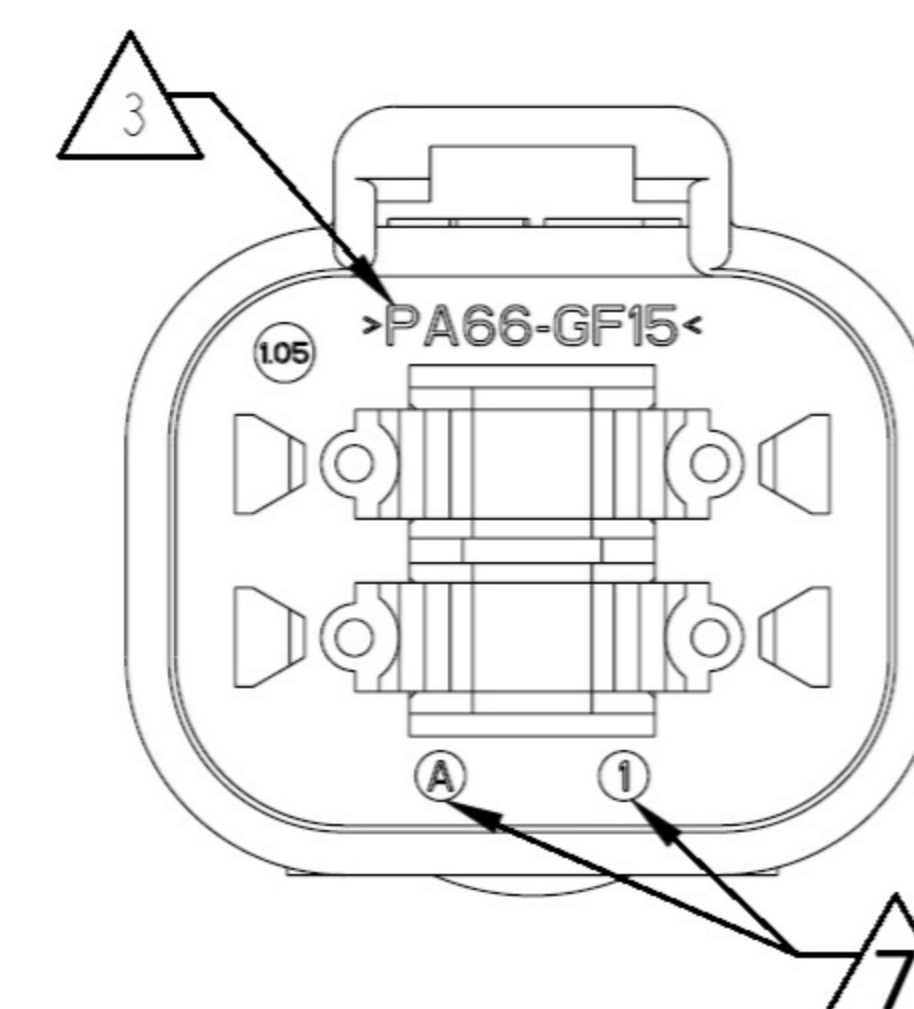


DIMENSIONS

FIGURE 2 SHORT CAP



ALT. VIEW FOR PARTS FROM CHINA



- 3. MATERIAL: HOUSING: PA66 GF15, SEE TABLE FOR COLOR
SHORT, LONG CAP: PA66 GF15, BLACK
GROMMET: E-SEAL VMQ (BURNT RED)
N-SEAL VMQ (RED-ORANGE)
BLOCKED VMQ (RED-ORANGE)
- 4. "E" IDENTIFIES E-SEAL, LOCATED APPROX. AS SHOWN.
- 6. MARKING FOR PARTS PRODUCED IN CHINA:
 - XXXX IDENTIFIES THE MODIFICATION NUMBER, IF APPLICABLE. EXAMPLE: "E003" FOR DT04-4P-E003, OR BLANK FOR DT04-4P
 - DATE CODE: IDENTIFIES THE YEAR, MONTH, DAY AND HOUR OF ASSEMBLY.
YEAR: FIRST AND SECOND DIGIT. (17 = 2017)
MONTH: THIRD DIGIT, EXCLUDING I. A = JAN, B = FEB, C = MARCH ... (K = OCTOBER)
DAY: FOURTH AND FIFTH DIGITS (14 = 14th DAY)
HOUR: SIXTH AND SEVENTH DIGITS (11 = 11AM)
 - DIAL DATE CODE LOCATED ON HOUSING AND/OR CAP.
 - CN LOCATED ON HOUSING AND/OR CAP.
- 7. MARKING FOR PARTS PRODUCED IN US:
 - DATE CODE:
YEAR TO BE LAST NUMERICAL DIGIT, EX: 1 = 2021
MONTH USES SEQUENTIAL ALPHA CHARACTERS, EX: A = JANUARY
 - DEUTSCH
- 8. BLOCKED SEAL CONNECTORS (EXAMPLE: C017) WILL NOT HAVE THE TERMINAL CAVITY IDENTIFICATION MARKINGS ON THEIR CAPS.

CONTACT SIZE	WIRE RANGE	INSULATION OD SEALING RANGE	SEAL IDENTIFICATION
16	14-20 AWG	2.23mm - 3.68mm	STANDARD SEAL
	[2.5-0.5mm ²]	1.35mm - 3.05mm	EXTRA THIN SEAL E-SEAL