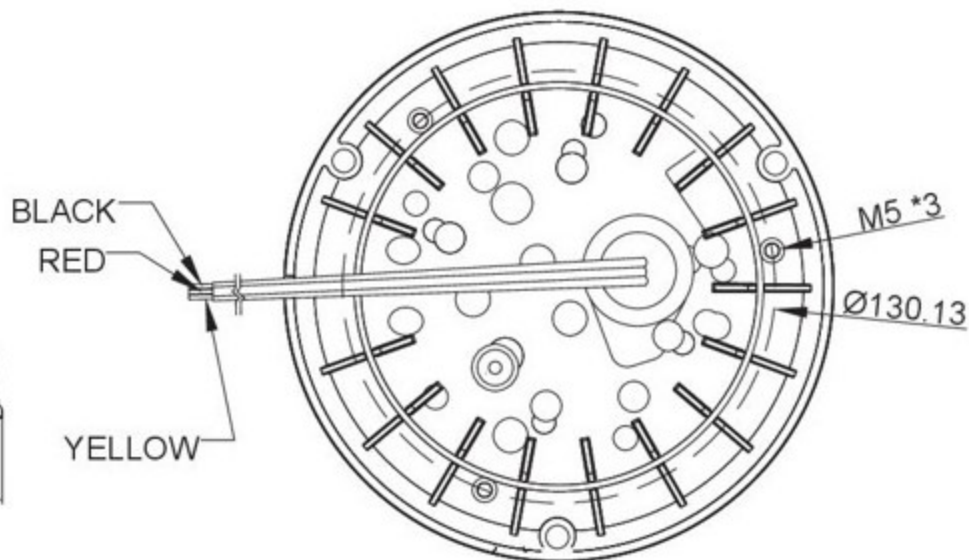
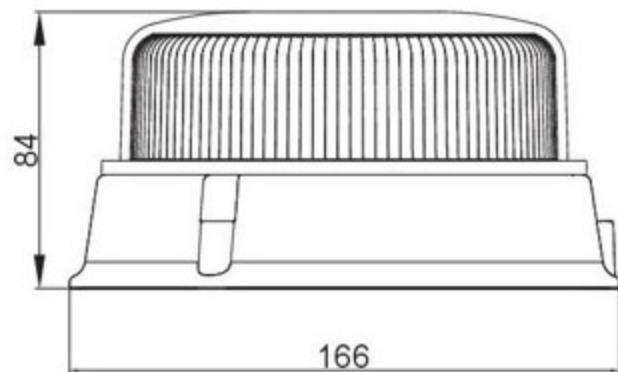


Remarks:

- To select flash pattern, apply YELLOW wire to RED wire for
 - less than one second for changing pattern.
 - more than one second for previous flash pattern.
 - more than five seconds for default flash pattern.
- Mounting is also available for DIN pole and Magnet + 3M cable with cigarette plug.



Model NO.	HYF-5661A
Voltage	DC 10~30V
Diameter	166 mm
Height	84 mm
LEDs	2 x 10 High power LEDs
Flash Mode	18 Patterns
IP Rating	IP65
Materials	PC Lens Aluminum Base
Mount	3 holes flange
Lens	Amber
Base	Orange
Certified	E1 R65