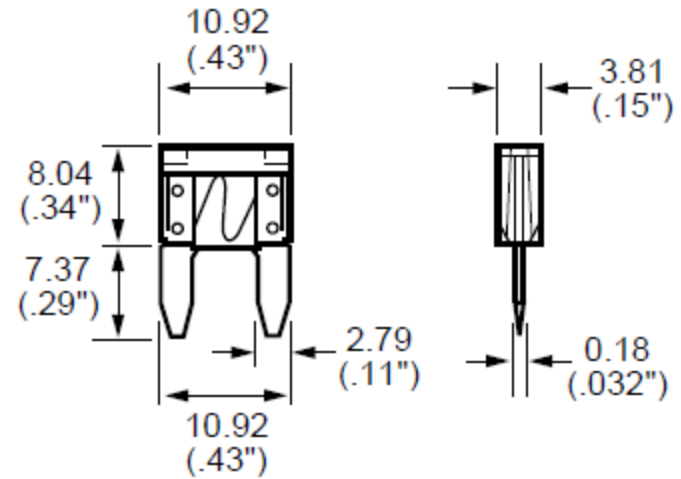


### Reference Dimensions



AMPERAGE RATING :	<b>25 AMPS</b>
TYPE :	<b>MINI BLADE</b>
MATERIAL:	<b>HOUSING : UL-RATED 94V-0 TERMINAL: SILVER PLATED ZINC ALLOY</b>
BODY COLOR:	<b>CLEAR</b>
VOLTAGE RATING :	<b>32VDC</b>
INTERRUPTING RATING:	<b>1000A @32VDC</b>
DESIGN STANDARDS:	<b>: U.L. Standard for Automotive Blade Type Fuses. SAE (Society of Automotive Engineers) J1284.</b>

### ELECTRICAL CHARACTERISTICS:

% of Ampere Rating	Opening Time
110%	100 Hours <b>Minimum</b>
135%	.75 sec., <b>Min.</b> ; 600 sec., <b>Max.</b>
200%	.15 sec., <b>Min.</b> ; 5 sec., <b>Max.</b>
350%	.080 sec., <b>Min.</b> ; .250 sec., <b>Max.</b>
600%	.030 sec., <b>Min.</b> ; .100 sec., <b>Max.</b>