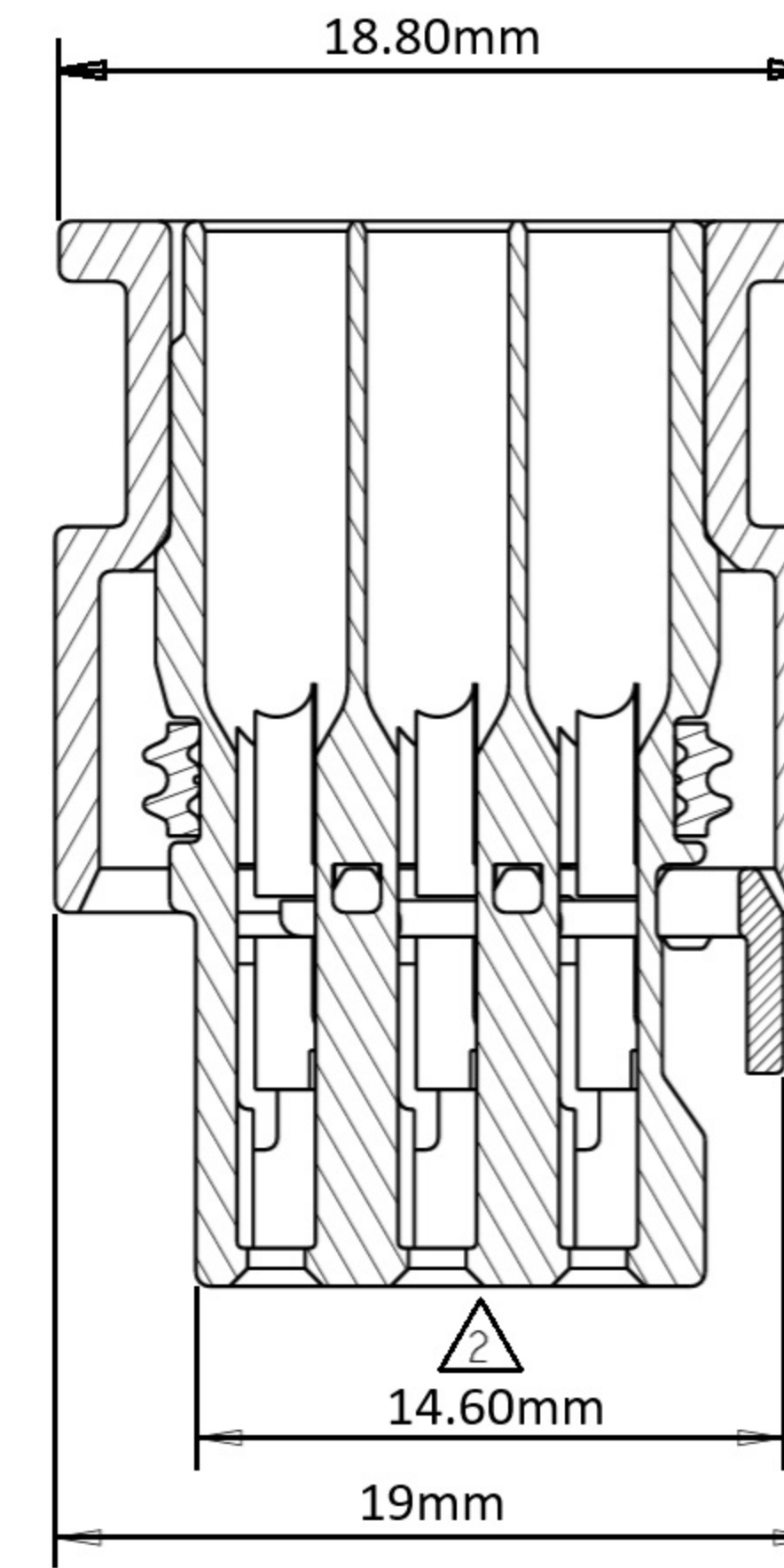
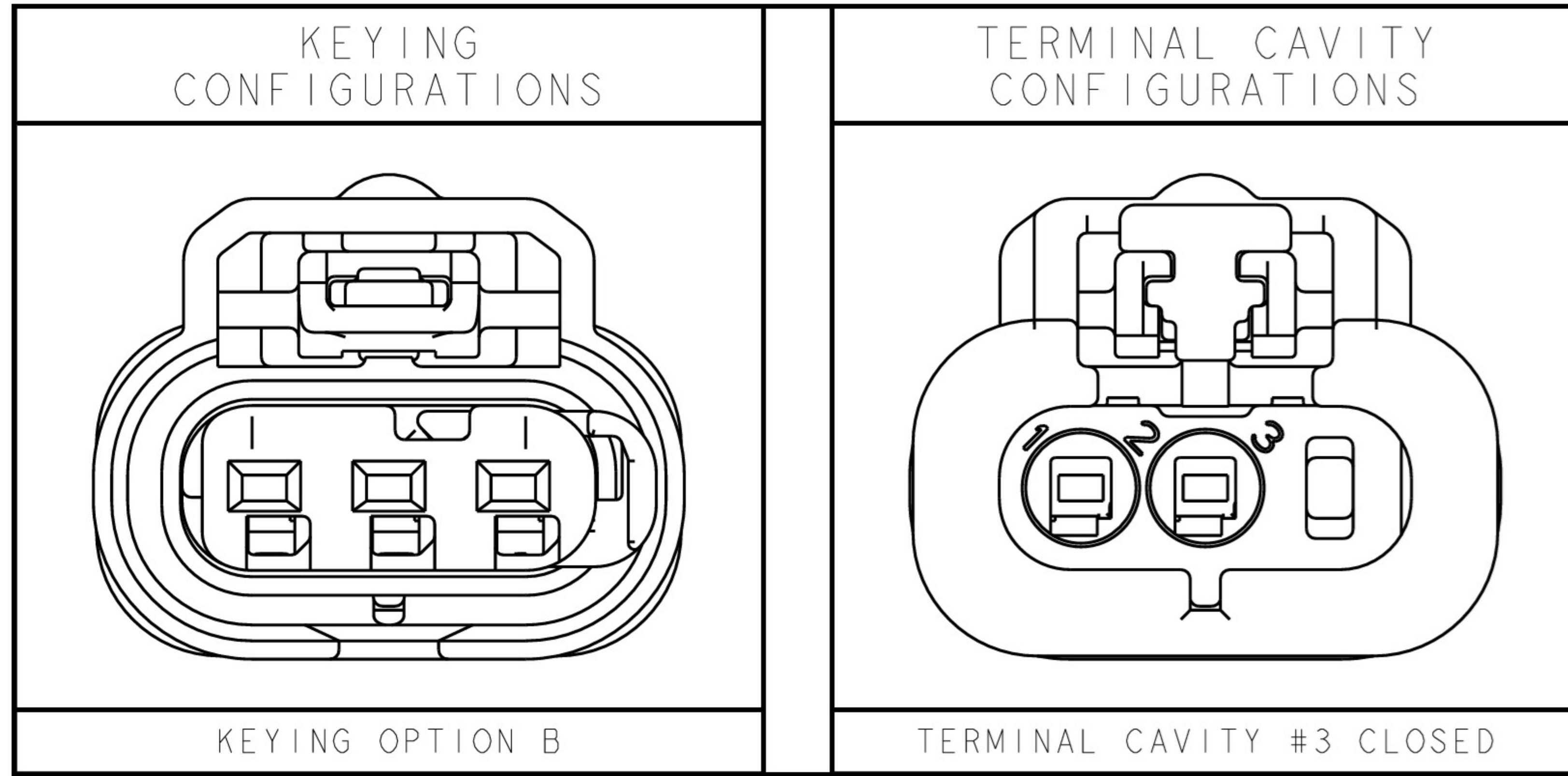
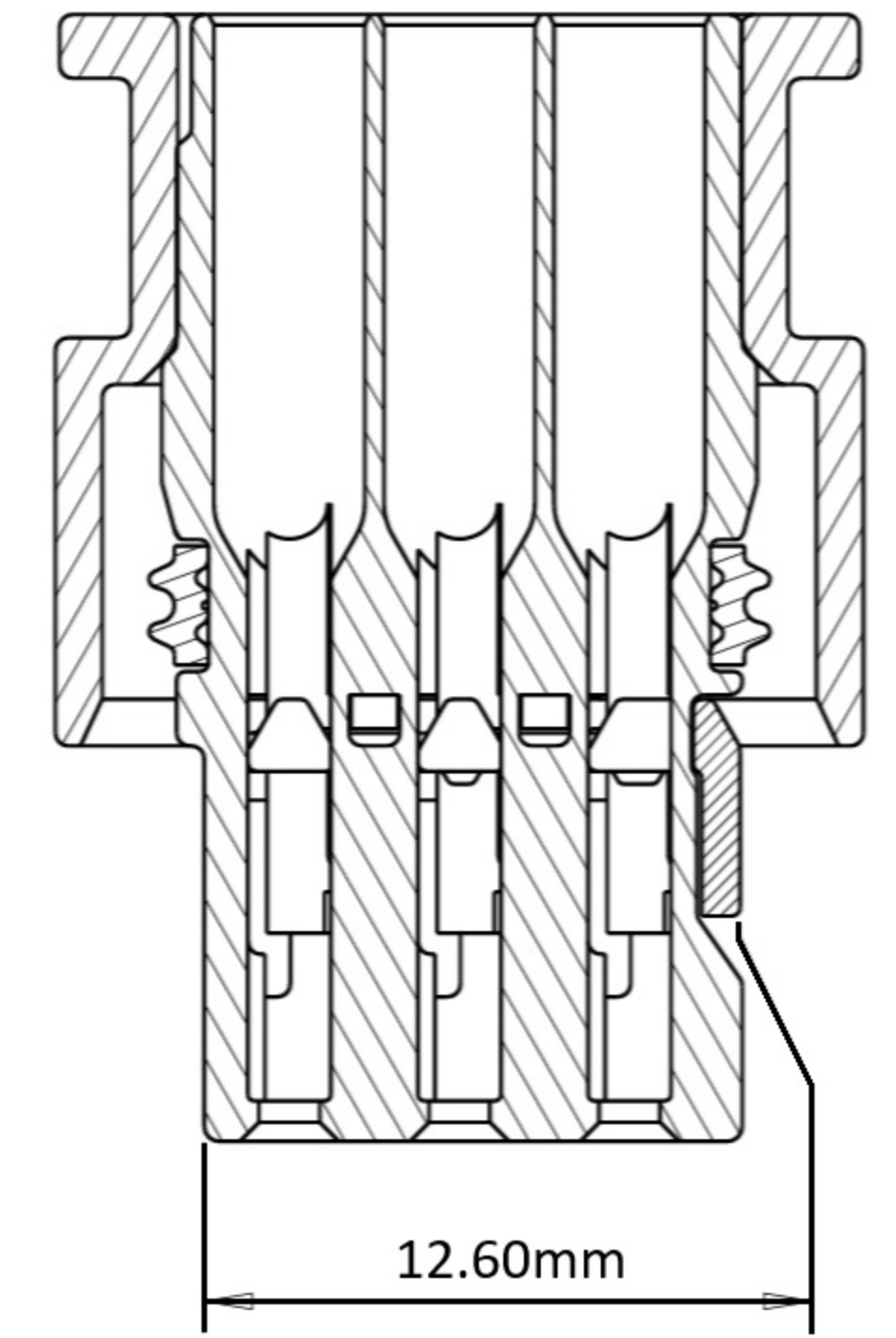


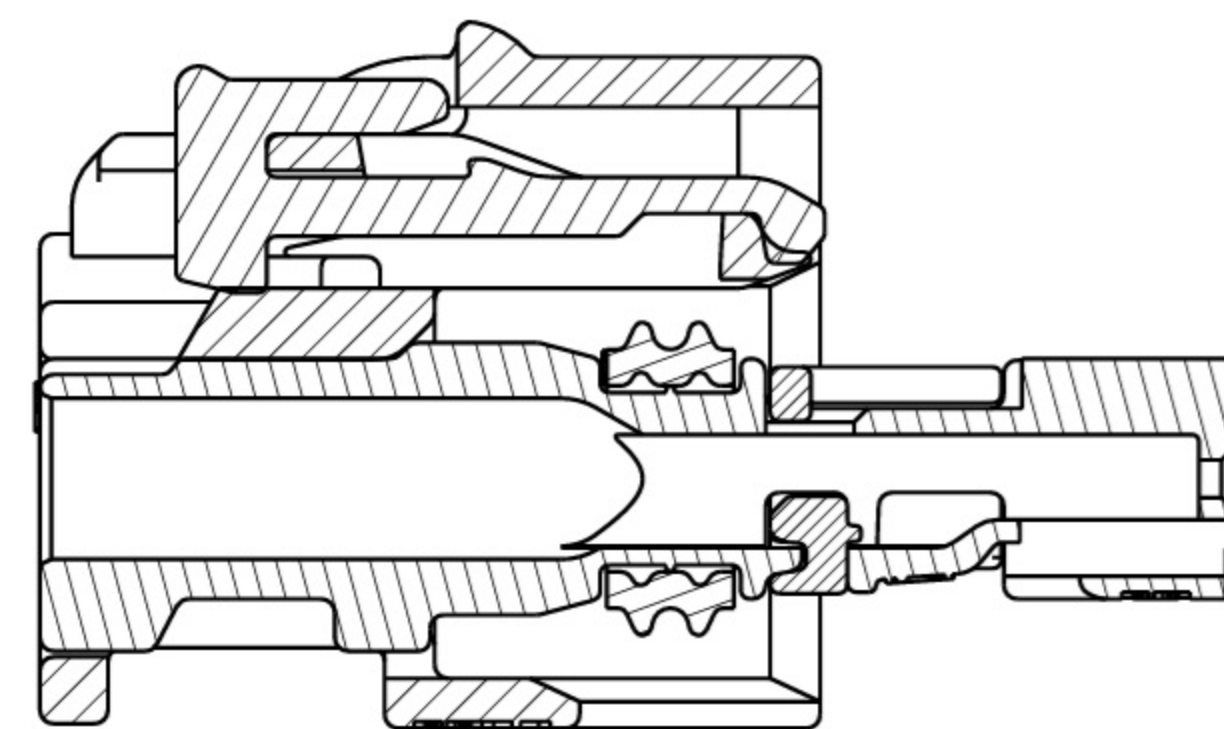
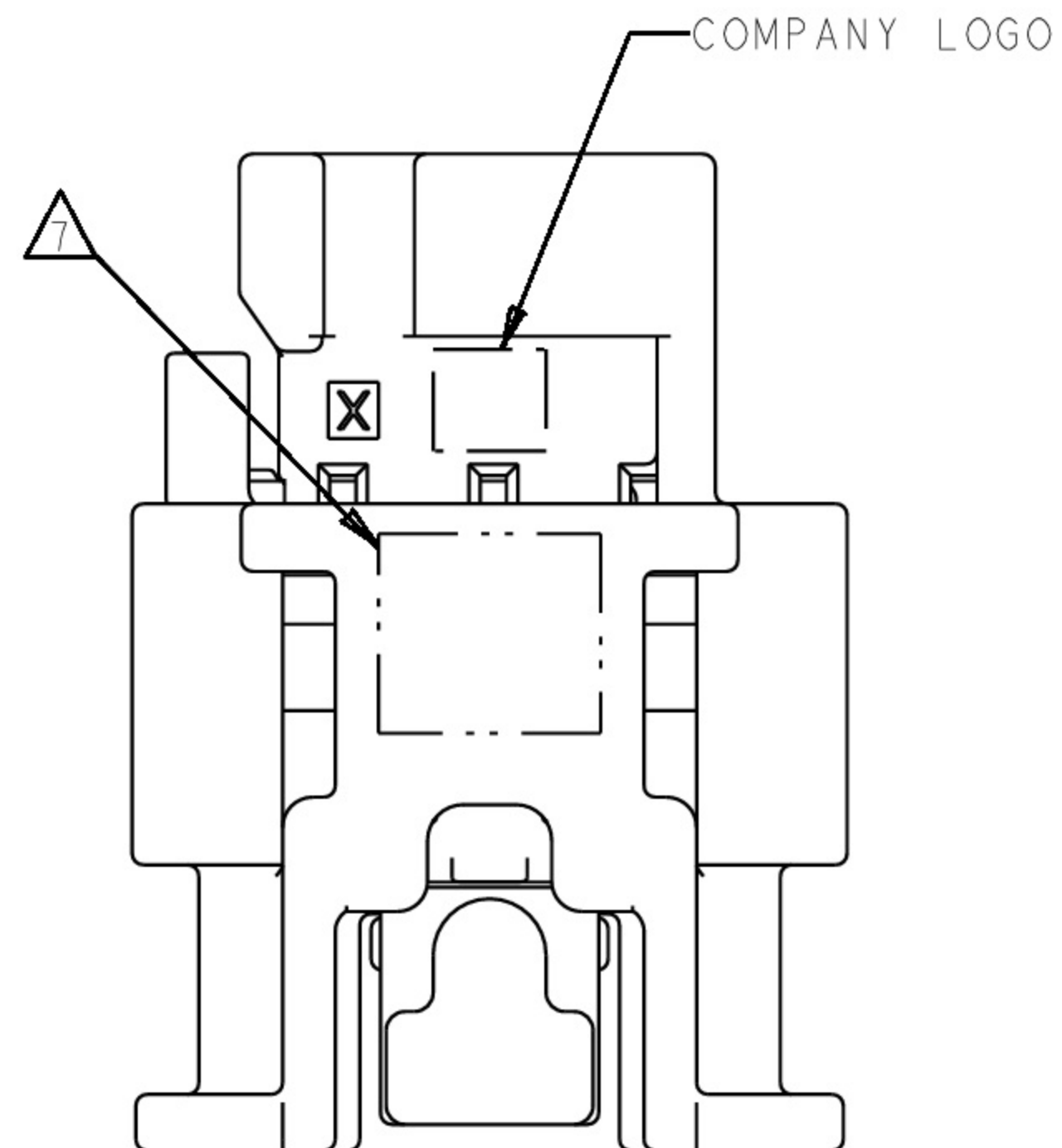
# DIMENSIONS



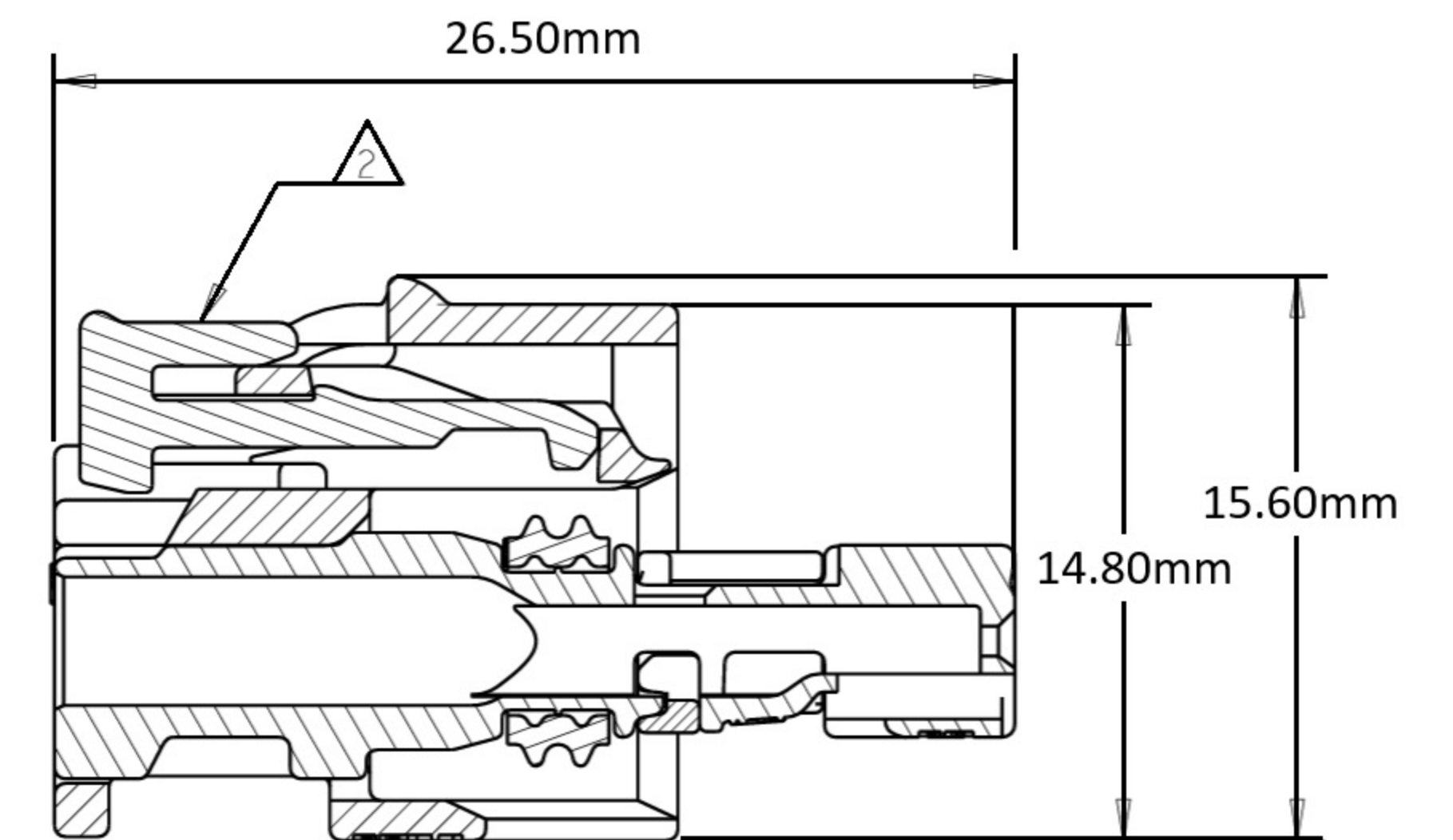
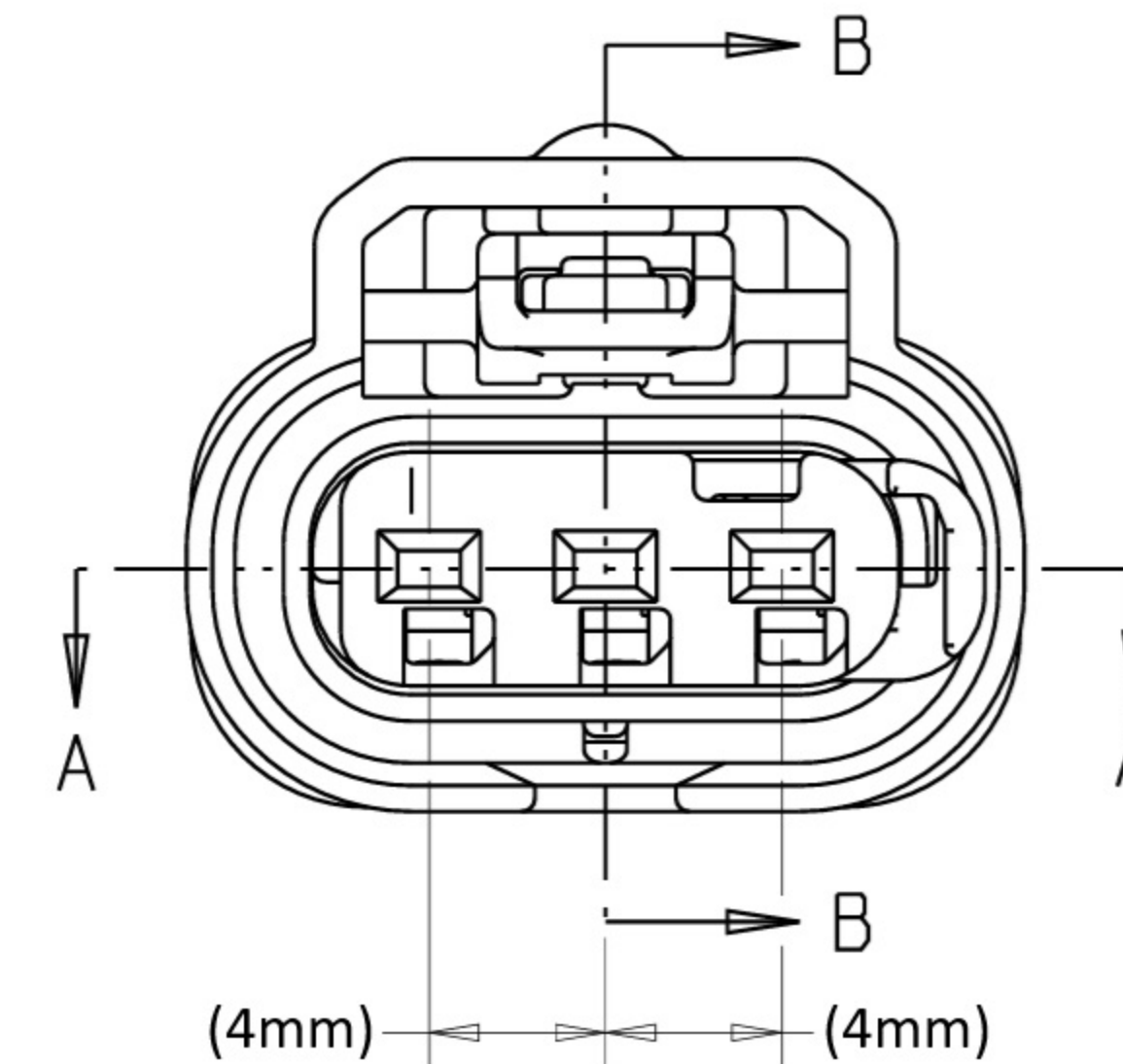
SECTION A-A



SECTION A-A  
SHOWN WITH TPA  
IN IT'S LATCHED POSITION  
FOR REFERENCE ONLY



SECTION B-B  
SHOWN WITH CPA (WHEN APPLICABLE)  
IN IT'S LATCHED POSITION  
FOR REFERENCE ONLY



SECTION B-B