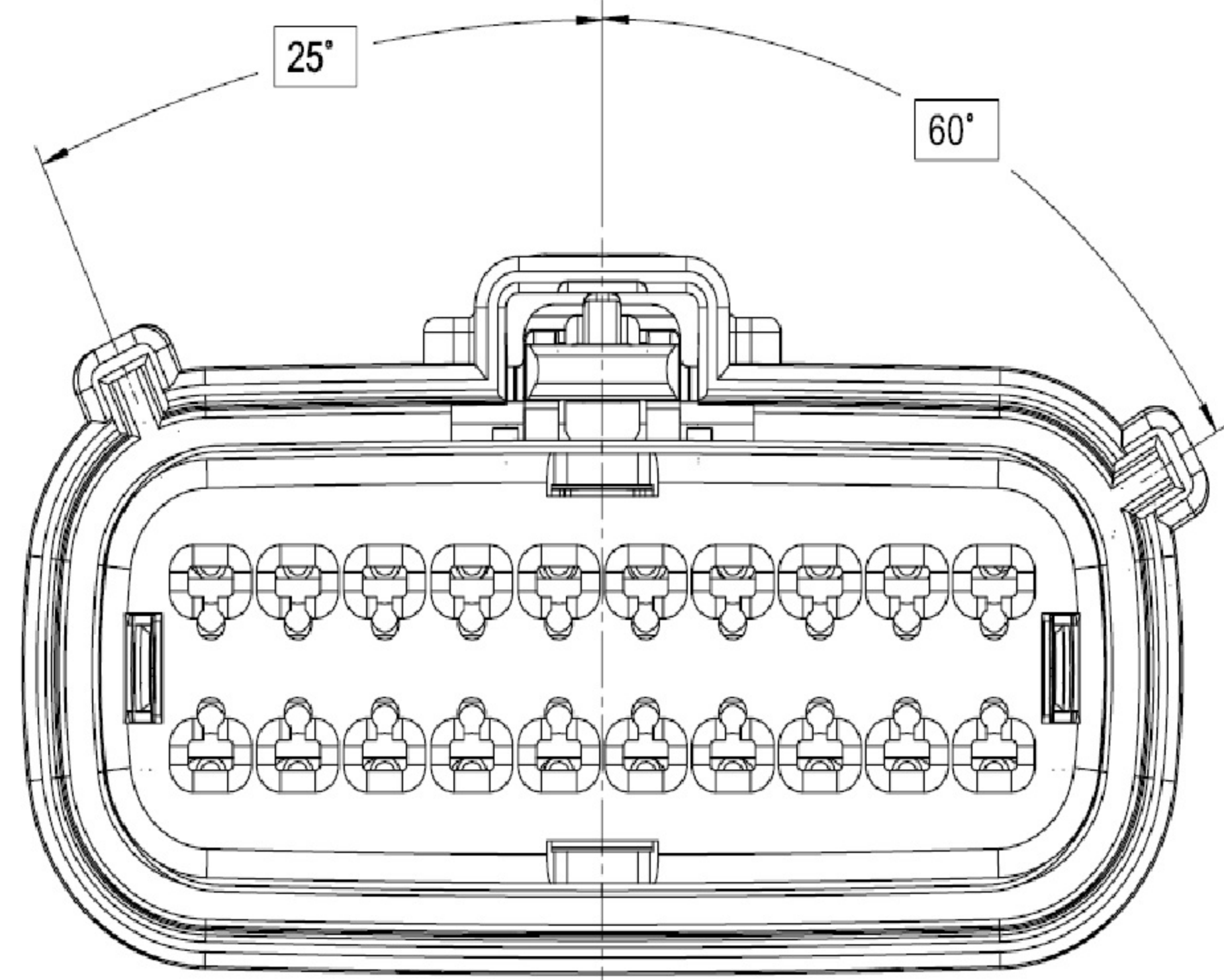


DIMENSIONS



KEY C

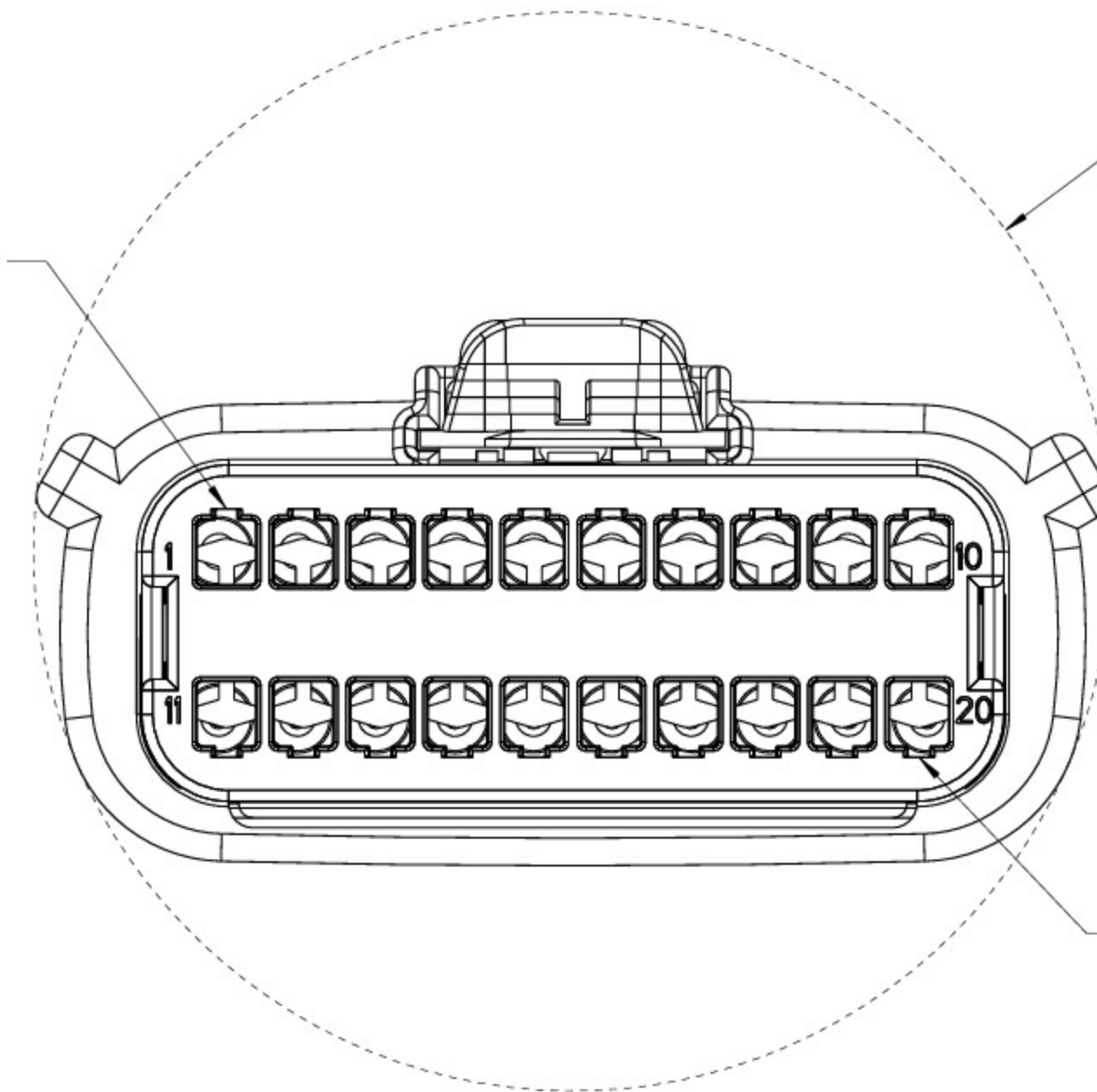
TERMINAL POSITION 1

ØDIM C
MIN PASS-THRU
WITH NO CLEARANCE
②

MOLD CAVITY I.D.
THIS LOCATION

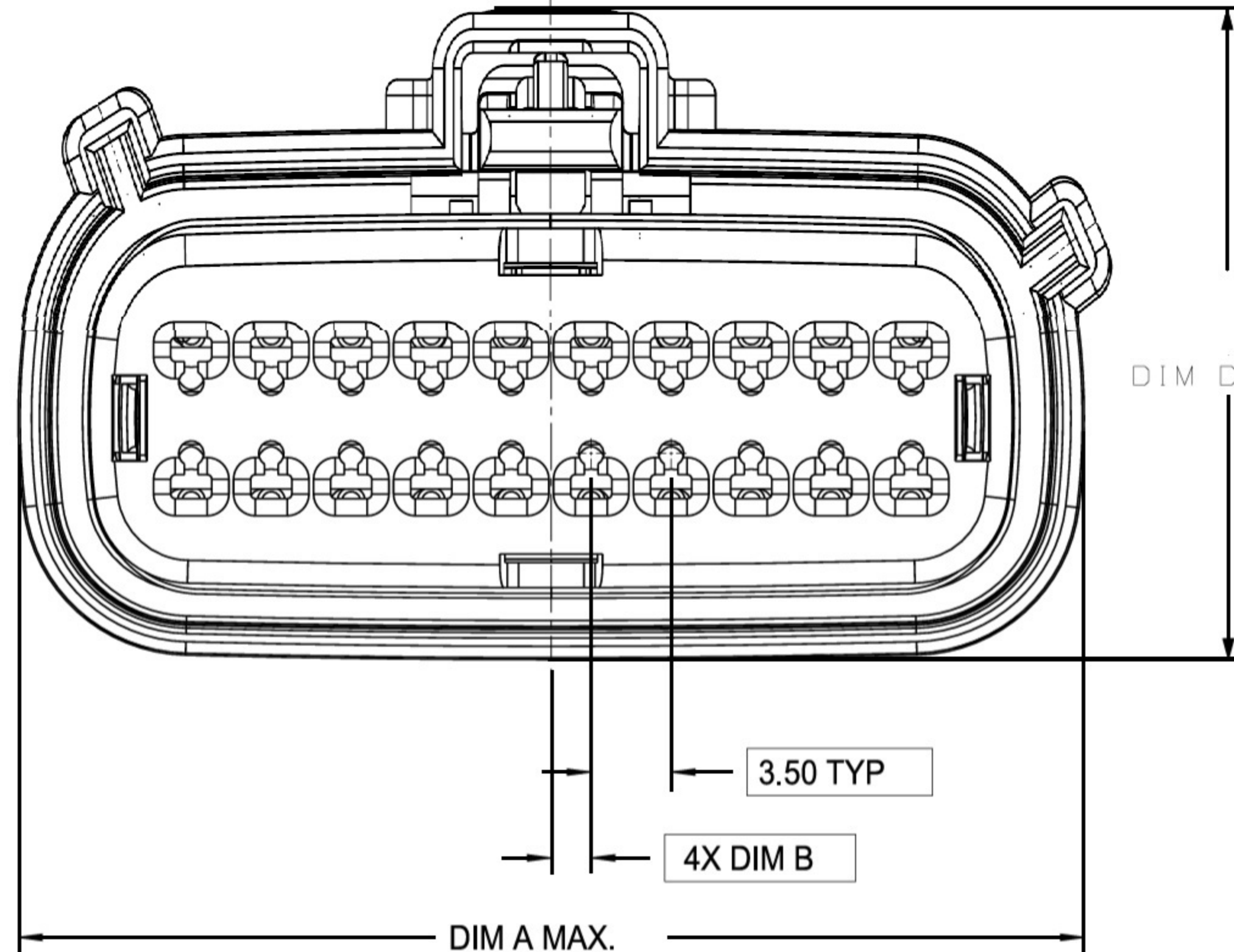
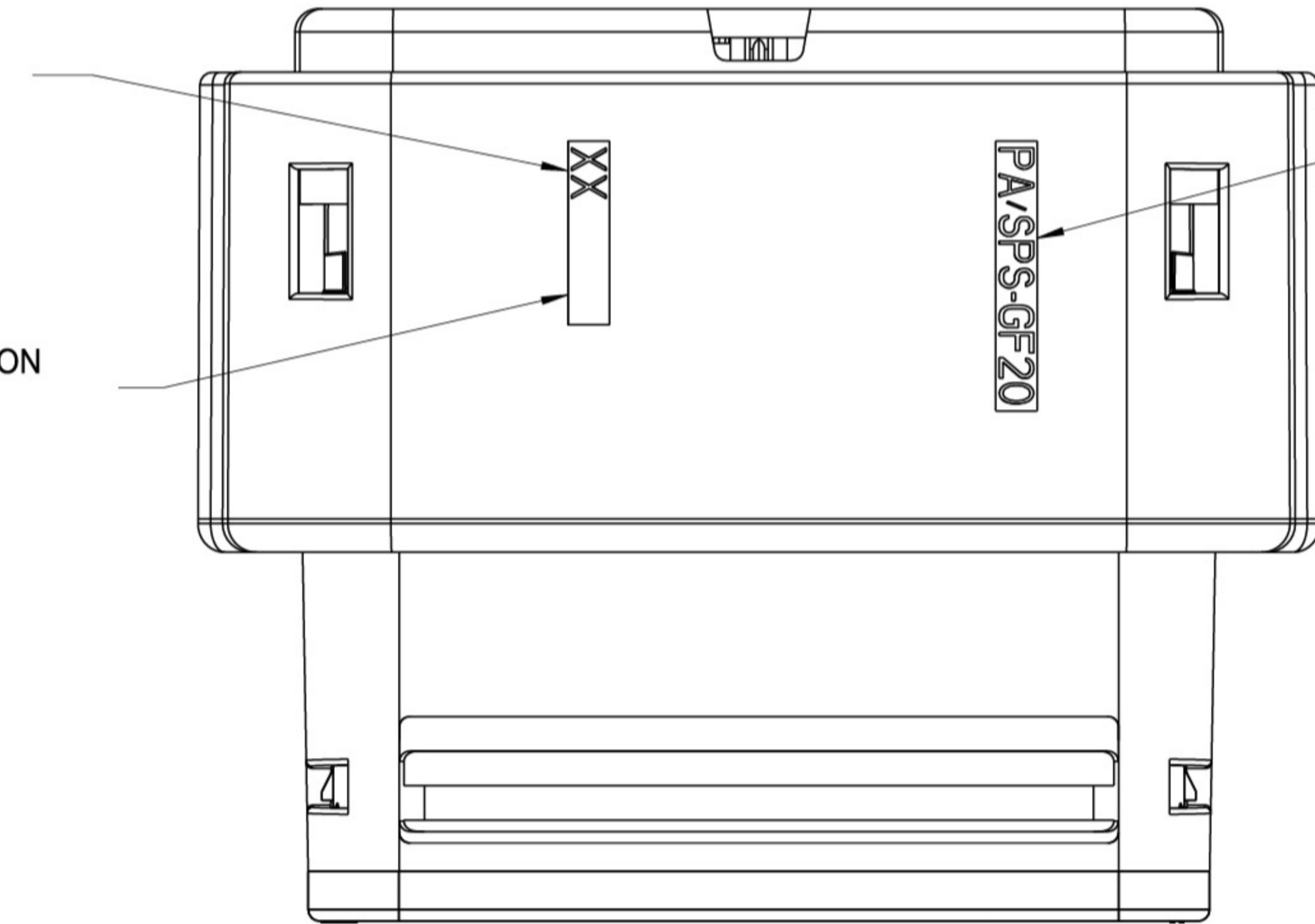
MANUFACTURING LOCATION
CODE THIS LOCATION

RECYCLE CODE
THIS LOCATION



REAR VIEW
(WIRE HARNESS SIDE)

LAST
TERMINAL
POSITION



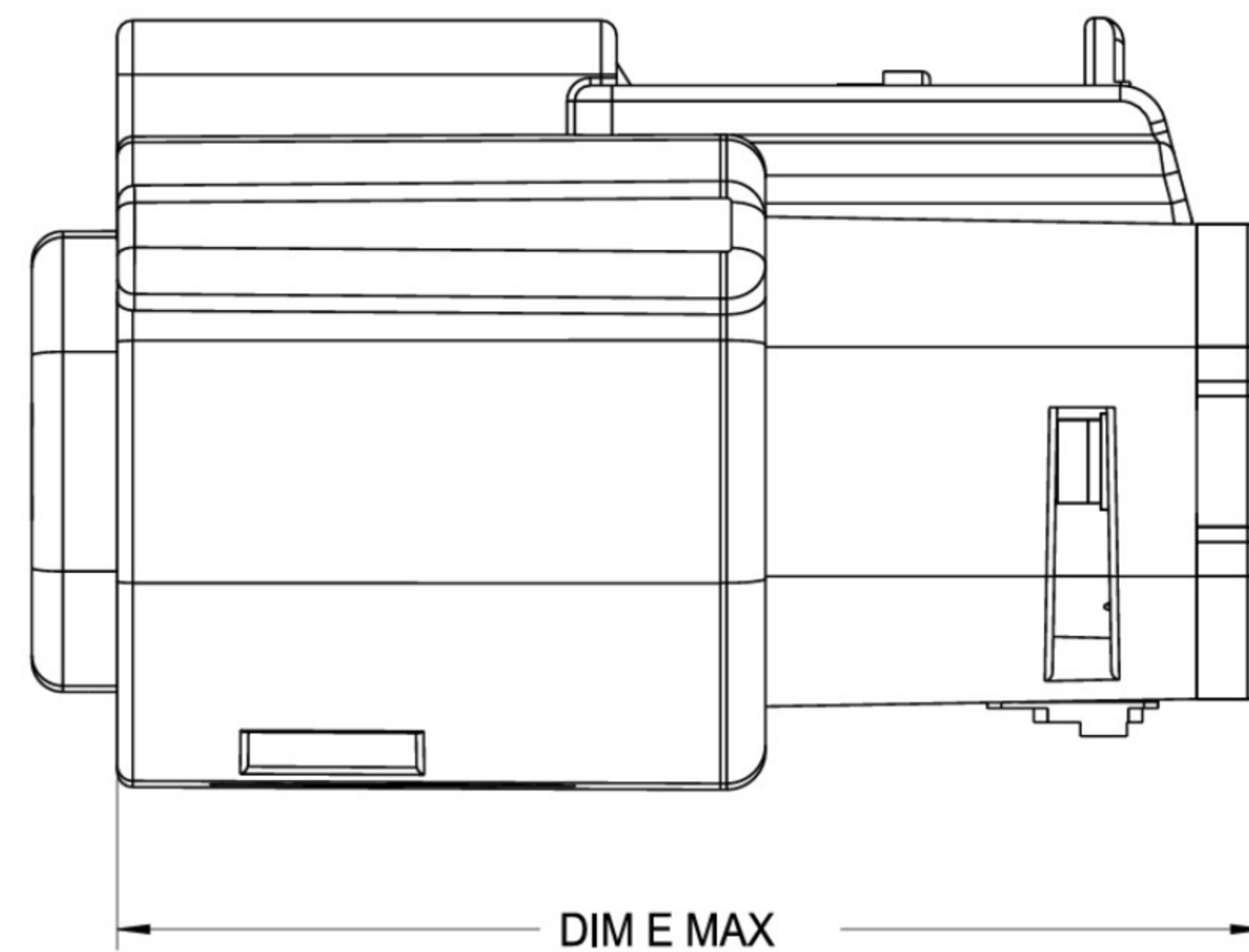
DIM D MAX ③

3.50 TYP

4X DIM B

DIM A MAX.

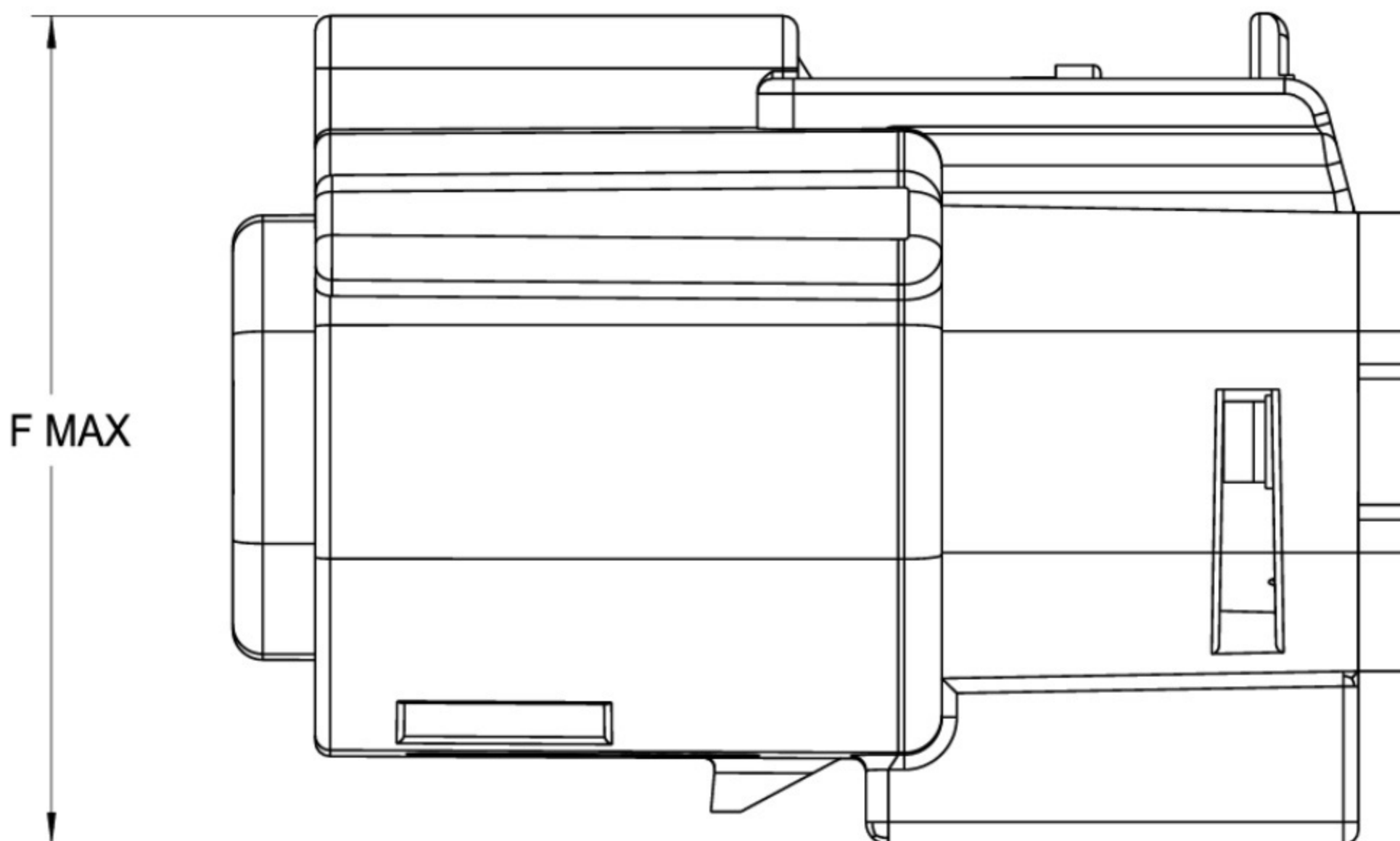
⑤



DIM E MAX

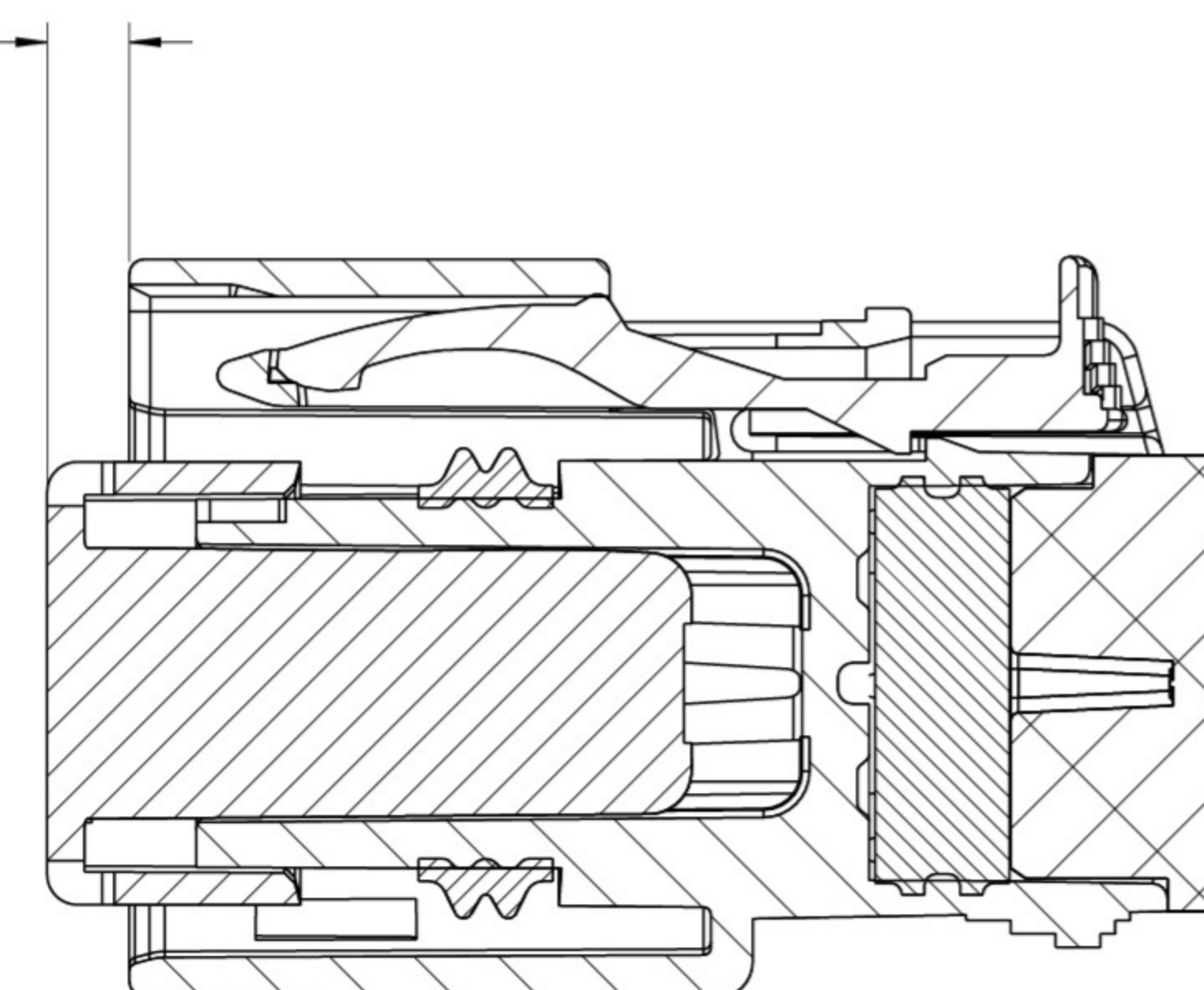
①

④ DIM F MAX



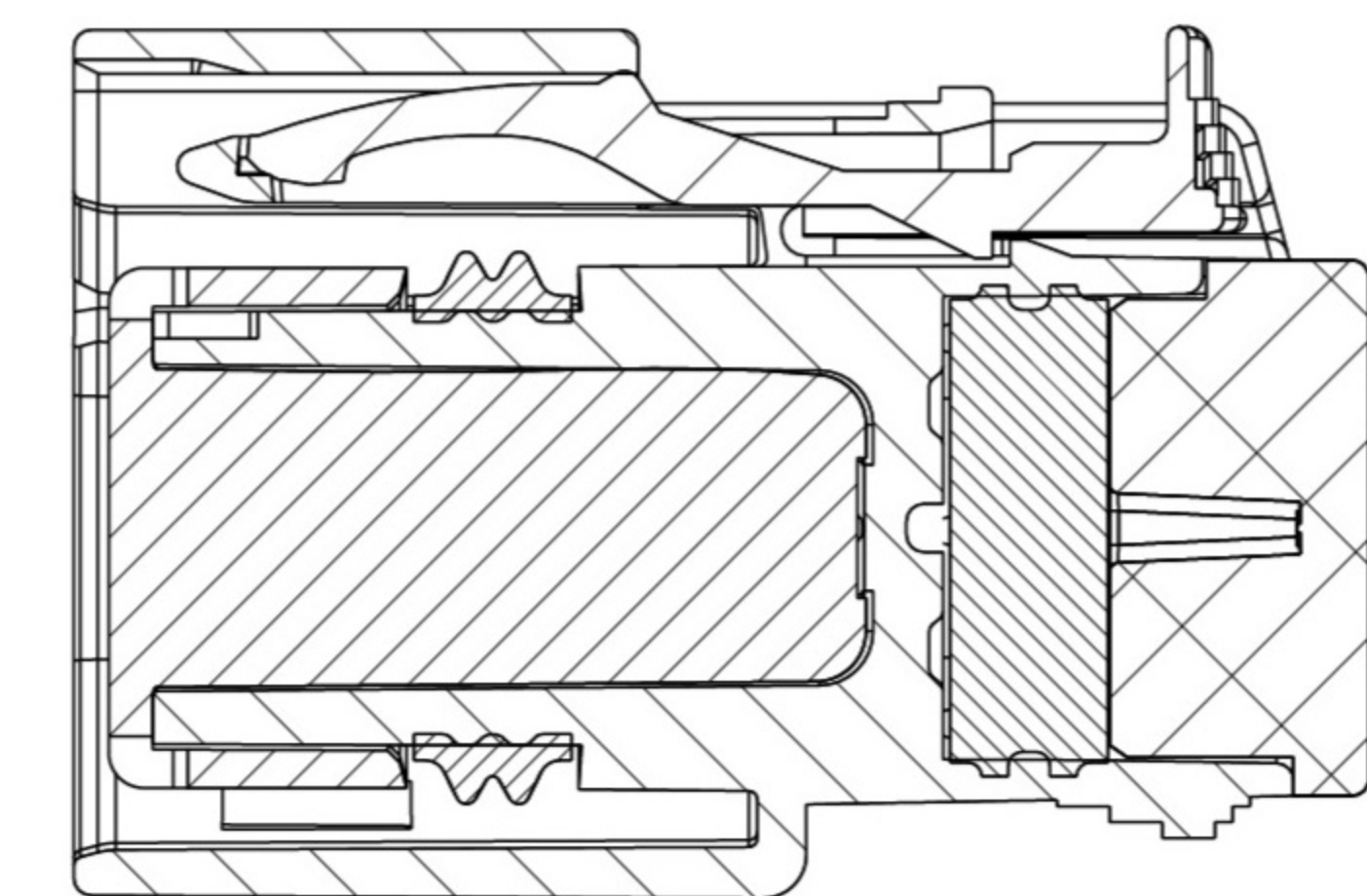
DIM G

⑥



PRIMARY LOCK REINFORCEMENT (PLR) SHOWN
IN PRE-STAGED POSITION

SECTION Y-Y



PRIMARY LOCK REINFORCEMENT (PLR) SHOWN
IN FINAL-LOCK POSITION

SECTION Z-Z

CHARTED DIMENSIONS

DESCRIPTION	DIMENSIONS							
	A	B	C	D	E	F	G	J
2X10 W/O CLIPSLOT	46.75	1.75	49.95	24.90	37.65	N/A	2.75±0.50	48.04