

DIMENSIONS

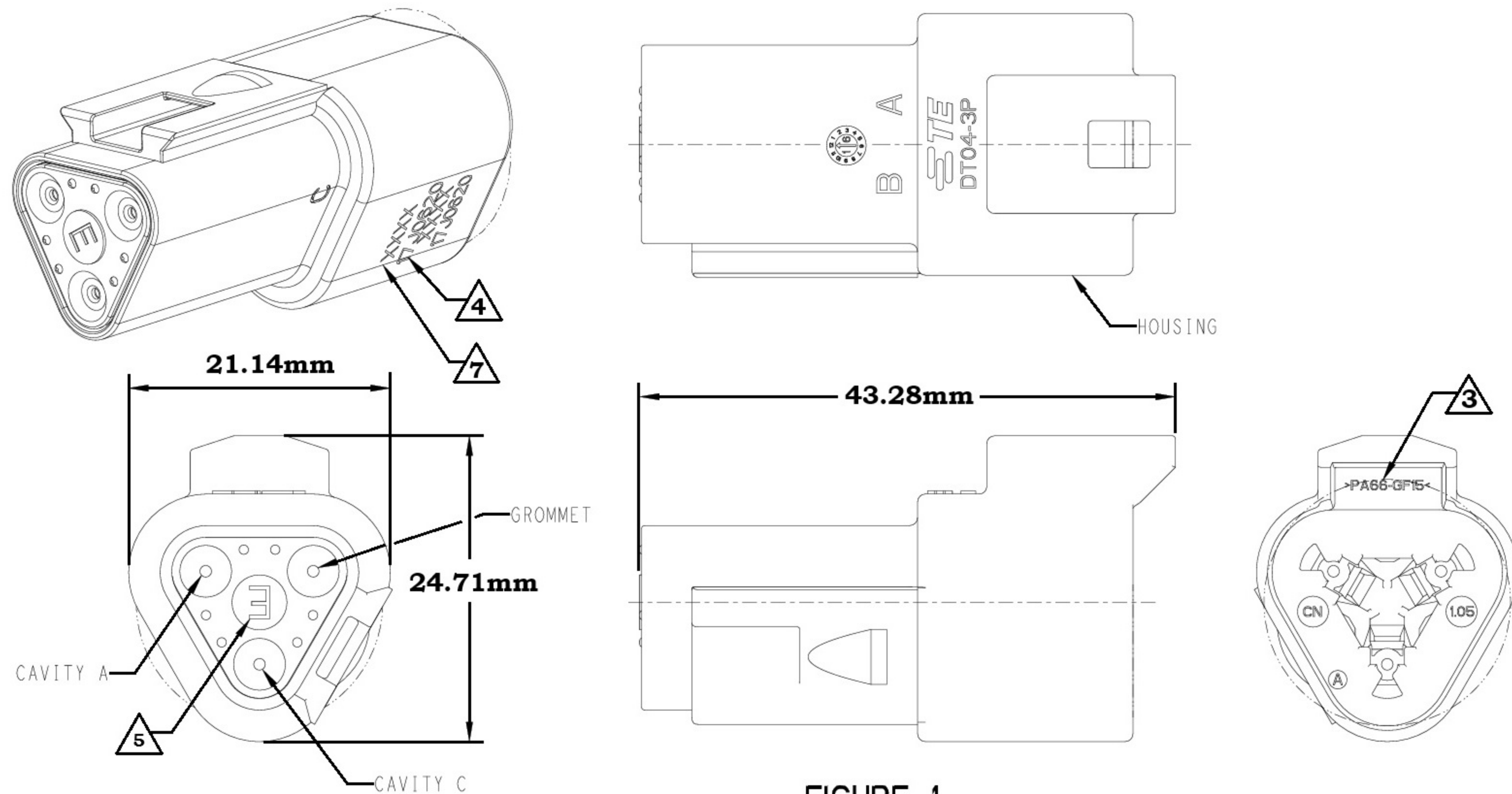


FIGURE 1

CONTACT SIZE	WIRE RANGE	INSULATION OD SEALING RANGE	SEAL IDENTIFICATION
16	14 - 20 AWG [2.50mm - 0.50mm ²]	2.23mm - 3.68mm	STANDARD SEAL
		1.35mm - 3.05mm	EXTRA THIN SEAL E-SEAL